

EDCON-COMPONENTS

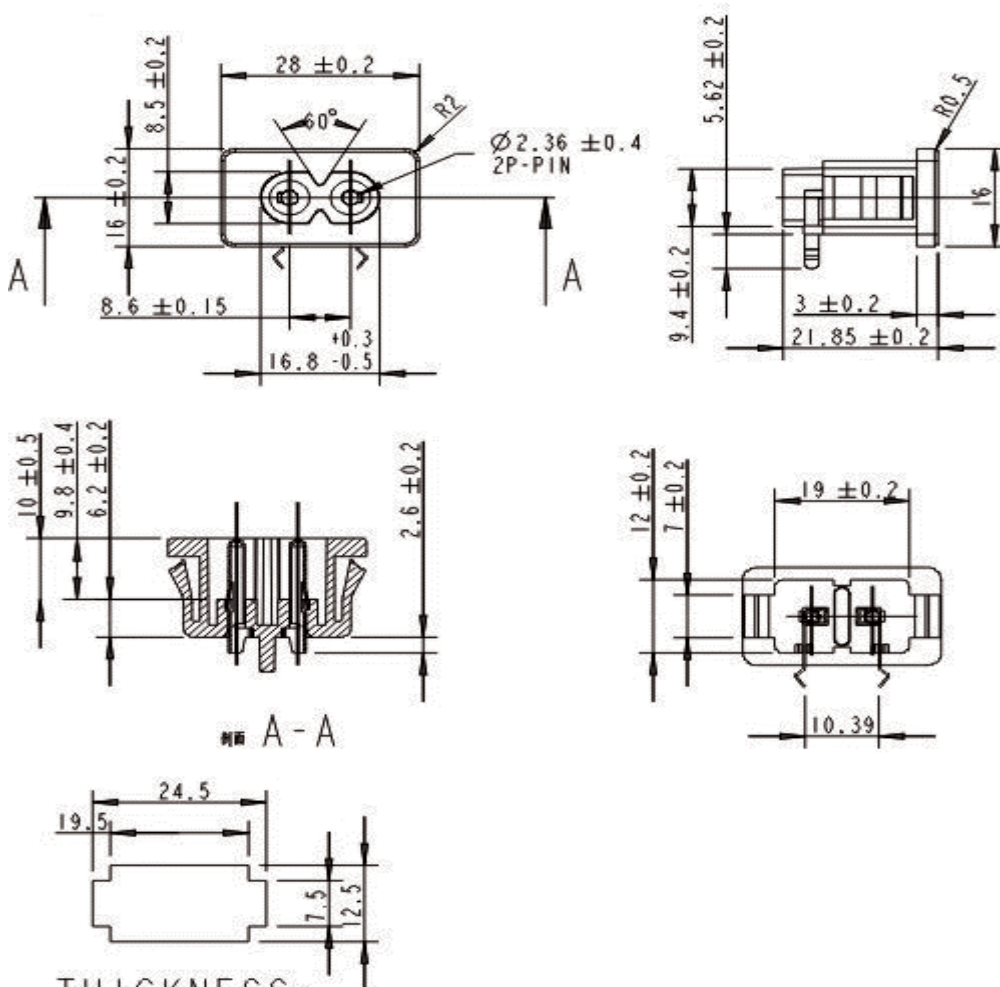


Ac-Socket: ESS222-6

■SPECIFICATIONS

DIELECTRIC STRENGTH	AC3000V-60sec. BETWEEN POLES
INSULATION RESISTANCE	BETWEEN POLES BY DC500V MIN 1000MΩ
CONTACT RESISTANCE	ATTACHED TO POWER CONNECTOR MAX 50 MΩ AT 10A
HEAT RESISTANCE	100±5°C FOR 1hr
FORMING STRENGTH OF CONTACT AND BODY	STATIC LOAD OF 10 POUNDS/60sec
STRENGTH OF SCREW MOUNTING	ROTATIONAL TORQUE OF 8KG/CM. 5sec
IMPACT TEST	0.5KG 1 TIMES ACCORDING TO UIH950
RATING	250VAC 10A (2.5A)

■DIMENSIONS



THICKNESS:
0.8~1.3t
PANEL CUT-OUT

Copyright © by EDCON-COMPONENTS Marco Schmitz 28.09.2007