

EDCON-COMPONENTS

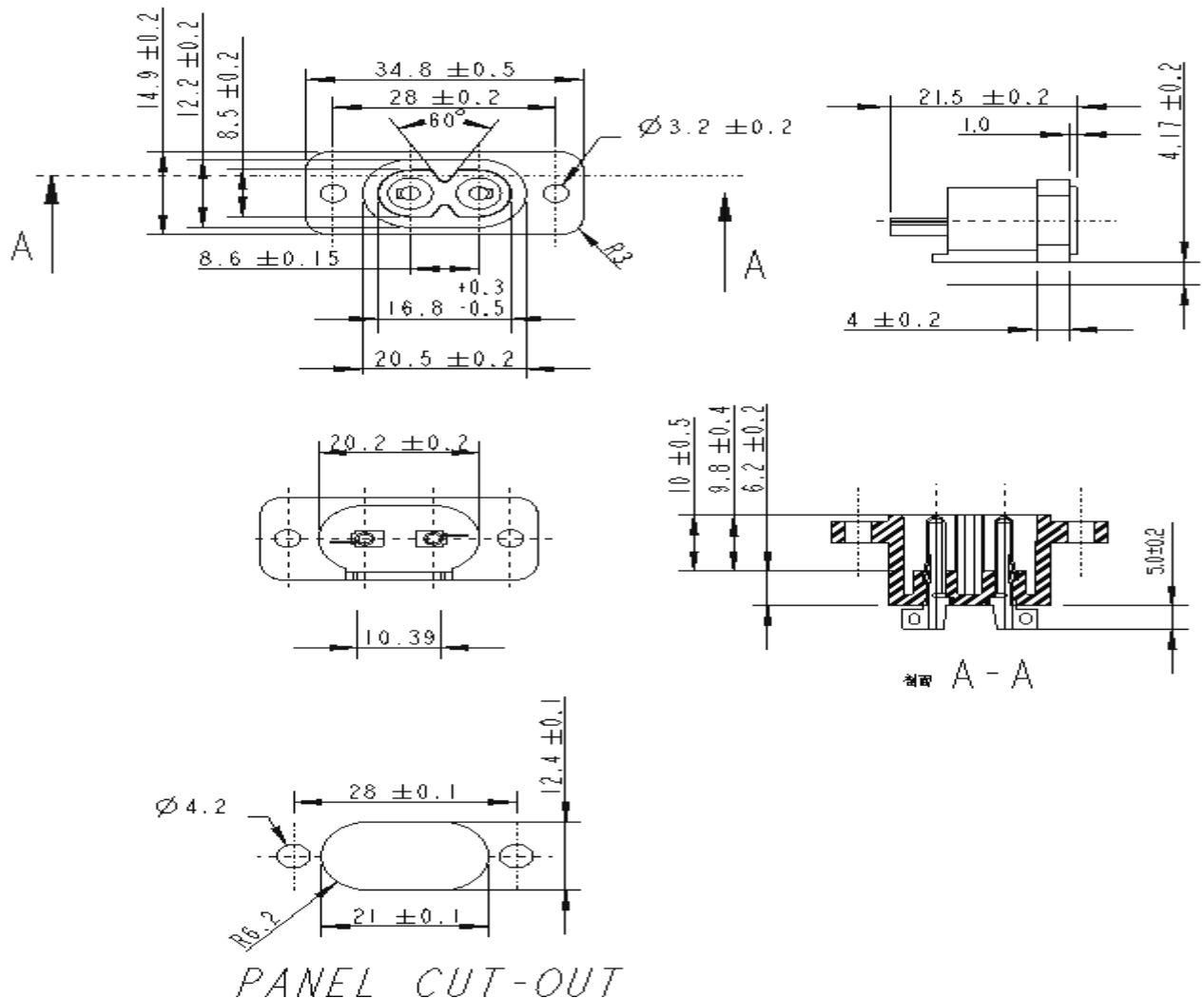


Ac-Socket: ESS222-11

■ SPECIFICATIONS

| | |
|--------------------------------------|--|
| DIELECTRIC STRENGTH | AC 3000V-60sec. BETWEEN POLES |
| INSULATION RESISTANCE | BETWEEN POLE SBY DC 500V MIN 1000M Ω |
| CONTACT RESISTANCE | ATTACHED TO POWER CONNECTOR MAX 50 M Ω AT 10A |
| HEAT RESISTANCE | 100 \pm 5 $^{\circ}$ C FOR 1Hr |
| FORMING STRENGTH OF CONTACT AND BODY | STATIC LOAD OF 10 POUNDS/60sec |
| STRENGTH OF SCREW MOUNTING | ROTATIONAL TORQUE OF 8KG/CM. 5sec |
| IMPACT TEST | 0.5KG 1 TIMES ACCORDING TO U11950 |
| RATING | 250VAC 10A(2.5A) |

■ DIMENSIONS



Copyright © by EDCON-COMPONENTS Marco Schmitz 28.09.2007