

Data Sheet

Pluggable Terminal Block (Plug)

Pitch: 7,50 mm

Serie: A14Q042

Customer Information for special Item

EDCON Customer : 0

Customer Version No. : 0

EDCON-COMPONENTS



Technical Description

Drawing (Dimension in mm)

Electrical

Rated Voltage	300Volt
Rated Current	20A
Wire Range	2,5mm ²
Wire Range AWG-Size	12 ~ 24

Withstanding Voltage	1,6KV
Insulation Resistance	5000MΩ / 1000V

Mechanical

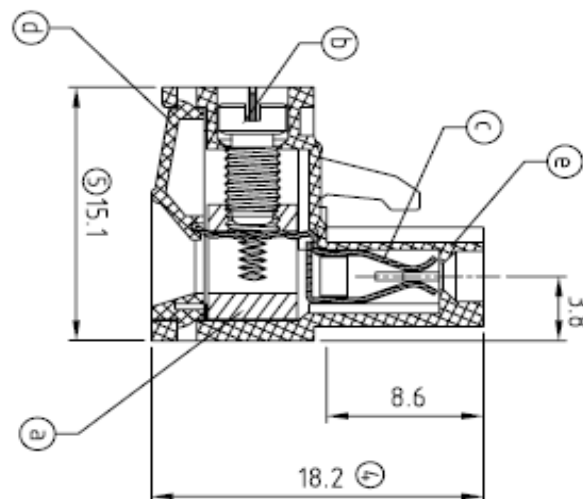
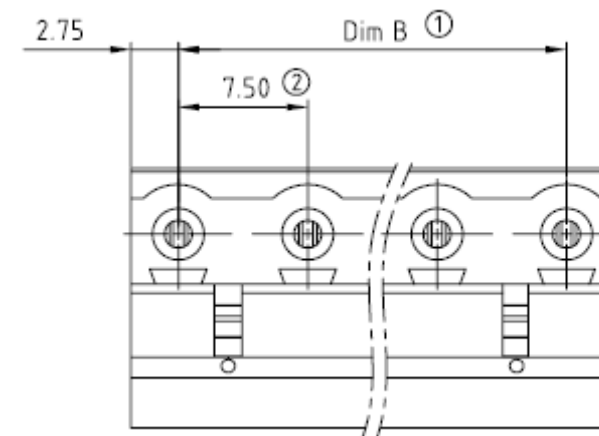
Operating Temperature	-40°C ~ +115°C
Wire Strip Length	7-8mm
Screw Torque	5Lb-In
Screw Size	M3

Dimensions

Pitch (mm)	7,50
Poles	2 ~ 16 Pos.

Materials

Terminal Housing	Thermoplastic, UL94V-0
Pin Header	Brass Tin Plated
Screw	Steel Ni-plated / Zinc Plated
Cage	Brass Ni Plated



**Pluggable Terminal Block
(Plug)**

Part No.: **A14Q042**

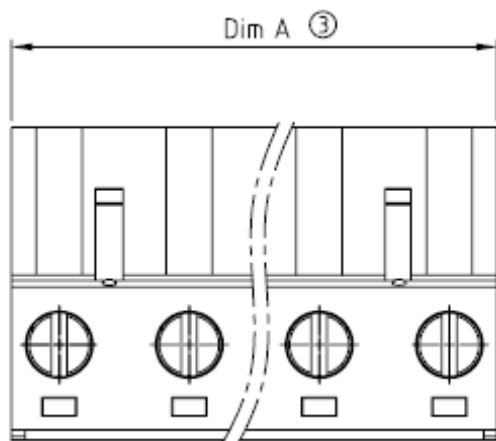
Customer:

DRW:	Jason	CHKD	Wilson	MATL:	Wilson	TOLERANCE	Mason	DATE	30.07.2015
APPD:	Schumi			FINISH	Jamy		Sheet No.		1 from 4

EDCON-COMPONENTS



Dimension Tolerance (mm)



No. of Pos.	A	Tol. A	B	Tol. B	
02	13,00	± 0,15	7,50	± 0,15	
03	20,50	± 0,15	15,00	± 0,15	
04	28,00	± 0,15	22,50	± 0,15	
05	35,50	± 0,15	30,00	± 0,15	
06	43,00	± 0,15	37,50	± 0,15	
07	50,50	± 0,30	45,00	± 0,30	
08	58,00	± 0,30	52,50	± 0,30	
09	65,50	± 0,30	60,00	± 0,30	
10	73,00	± 0,30	67,50	± 0,30	
11	80,50	± 0,30	75,00	± 0,30	
12	88,00	± 0,30	82,50	± 0,30	
13	95,50	± 0,40	90,00	± 0,40	
14	103,00	± 0,40	97,50	± 0,40	
15	110,50	± 0,40	105,00	± 0,40	
16	118,00	± 0,40	112,50	± 0,40	

**Pluggable Terminal Block
(Plug)**

Part No.: **A14Q042**

DRW:	Jason	CHKD	Wilson	MATL:	Wilson	TOLERANCE	Mason	DATE	30.07.2015
APPD:	Schumi			FINISH	Jamy		Sheet No.		2 from 4



Customer:

EDCON-COMPONENTS



Ordering Informations

Serie	No. of Pos.	Body Color	Screw Type	Approval Code	ROHS	Packing	EDCON Cust. No.	Customer Version		
A14Q042	02	PG	A	N	R	B				

Pitch 7,50	02 = Number of Pos. Standard 2 ~ 24Pos.	PG = Phoenix Green (Standard) WH = White GN = Green GY = Gray LG = Light Gray OR = Orange BL = Blue BK = Black	A = Slotted Screw Type (Standard)  B = Cross Slotted Screw Type 	N = NON Approval A = UL /UR Approval Please consult EDCON for available B = VDE Approval Please consult EDCON for available C = TÜV Approval Please consult EDCON for available	R = ROHS Conform N = NON ROHS Conform	B = Bulk-Ware I = Individual Package	xxxxxx = Customer Number	xxx = Customer Version ??(Printing)
---------------	---	---	---	--	--	---	---------------------------------	--

Pluggable Terminal Block (Plug)

Part No.: **A14Q042**

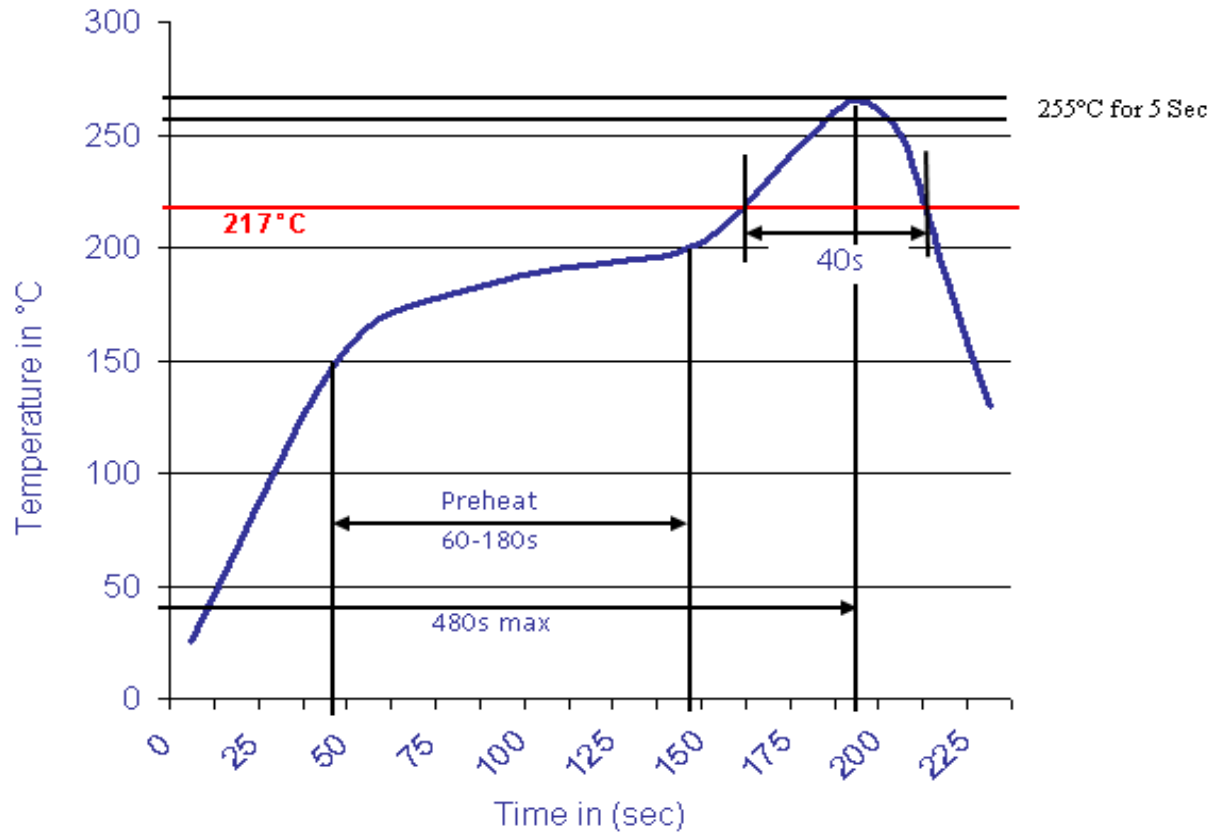
DRW:	Jason	CHKD	Wilson	MATL:	Wilson	TOLERANCE	Mason	DATE	30.07.2015
APPD:	Schumi			FINISH	Jamy		Sheet No.		3 from 4

Customer:



Soldering Profile Curve

Classification Reflow Profile (JEDEC J-STD-020C)



Pluggable Terminal Block (Plug)

Part No.: **A14Q042**

Customer:

DRW:	Jason	CHKD	Wilson	MATL:	Wilson	TOLERANCE	Mason	DATE	30.07.2015
APPD:	Schumi			FINISH	Jamy		Sheet No.	4 from 4	