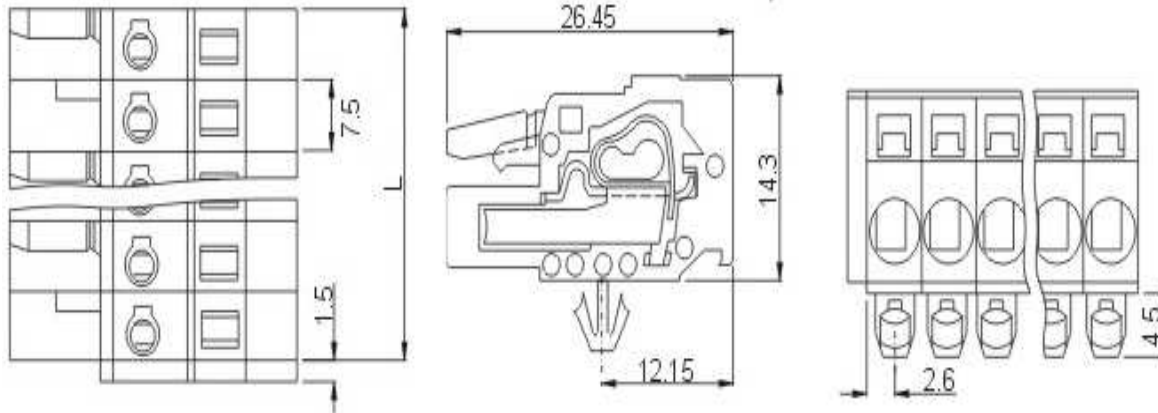


# EDCON-COMPONENTS



## Drawing



## P.C.B. Layout

## Specification

### Electrical

Standard	UL	IEC
Rated voltage	300V	320V, 400V
Rated current	15A	20A
Wire range	22-14 AWG	2.5mm <sup>2</sup>
Withstanding voltage	AC 2500V/1min	

### Mechanical

Ambient temperature	-40°C ~ +105°C
Strip length	8-9mm

### Dimensions

Pitch	7.50mm
Poles	2P - 24P   2P - 12P

### Material

Housing	PA66 (UL94V-0)
Contact	Phosphor Bronze
Wire guard	Stainless steel



Pluggable Terminal Block /  
Pitch 7.50mm

Part No.: A14Q013

DRW:	Bill	CHKD	Lord	MATL:	Jimmy	TOLERANCE	Sam	DATE	14.03.2009	Customer:
APPD:	Louis			FINISH	Georg			Sheet No.	1 from 3	

[www.edcon-components.com](http://www.edcon-components.com)

email: [info@edcon-components.com](mailto:info@edcon-components.com)

# EDCON-COMPONENTS



## Ordering Informations

Serie	-	No. of Pole	Body-Color	-	Customer Request
A14Q013	-	XX	XX	-	X

XX = total	<b>WH</b> - white
02	<b>GN</b> - green
...	<b>GR</b> - gray
24	<b>LG</b> - light gray
	<b>PG</b> - Phoenix Green
	<b>OR</b> - orange
	<b>BL</b> - blue
	<b>BK</b> - black



Pluggable Terminal Block /  
Pitch 7.50mm

Part No.: A14Q013

Customer:

DRW:	Bill	CHKD	Lord	MATL:	Jimmy	TOLERANCE	Sam	DATE	14.03.2009
APPD:	Louis			FINISH	Georg			Sheet No.	2 from 3

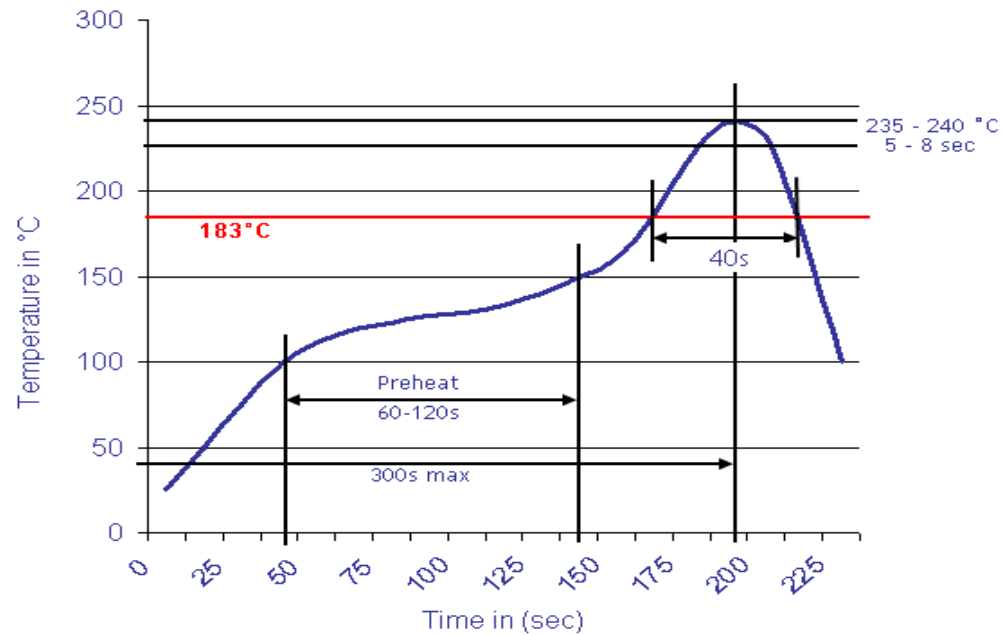
[www.edcon-components.com](http://www.edcon-components.com)

email: [info@edcon-components.com](mailto:info@edcon-components.com)



## Soldering - Profil

### Classification Reflow Profile (JEDEC J-STD-020C)



Pluggable Terminal Block /  
Pitch 7.50mm

Part No.: A14Q013

Customer:

DRW:	Bill	CHKD	Lord	MATL:	Jimmy	TOLERANCE	Sam	DATE	14.03.2009
APPD:	Louis			FINISH	Georg		Sheet No.	3 from 3	