

# Data Sheet

## Pluggable Terminal Block

**Pitch: 7,50 mm**

**Serie: A14Q008**

### Customer Information for special Item

**EDCON Customer : 0**

**Customer Version No. : 0**

# EDCON-COMPONENTS



## Technical Discription

## Drawing (Dimension in mm)

### Electrical

Standard  
Rated voltage  
Rated current  
Withstanding voltage

UL	IEC
300V	320V, 400V
15A	20A
AC 2500V/1min	

### Mechanical

Ambient temperature

-40°C ~ +105°C

### Dimensions

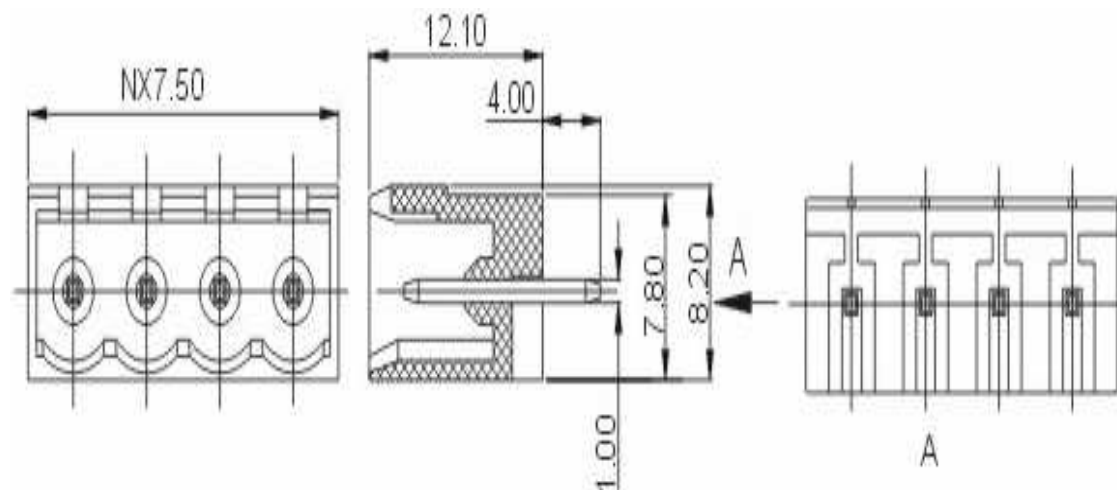
Pitch  
Poles

7.50mm
2P - 24P   2P - 12P

### Material

Housing  
Pin header

PA66 (UL94V-0)  
Brass, Tin plated



### Pluggable Terminal Block

Part No.: **A14Q008**

Customer:

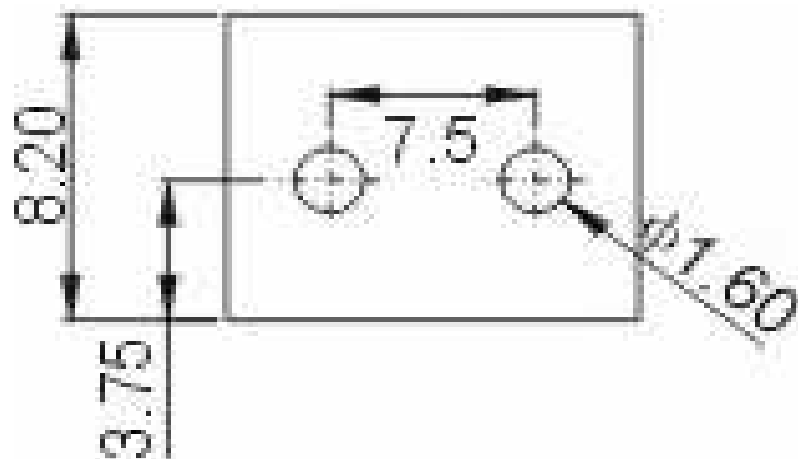
DRW:	Jason	CHKD	Wilson	MATL:	Wilson	TOLERANCE	Mason	DATE	26.05.2014
APPD:	Schumi			FINISH	Jamy		Sheet No.	1 from 4	

# EDCON-COMPONENTS



PCB Layout (Dimension in mm)

Dimensions (mm)



No. of Pos.	A	Tol. P
02	15,00	± 0,35
03	22,50	± 0,35
04	30,00	± 0,35
05	37,50	± 0,35
06	45,00	± 0,35
07	52,50	± 0,35
08	60,00	± 0,35
09	67,50	± 0,35
10	75,00	± 0,35
11	82,50	± 0,35
12	90,00	± 0,35
13	97,50	± 0,35
14	105,00	± 0,35
15	112,50	± 0,35
16	120,00	± 0,35
17	127,50	± 0,35
18	135,00	± 0,35
19	142,50	± 0,35
20	150,00	± 0,35
21	157,50	± 0,35
22	165,00	± 0,35
23	172,50	± 0,35
24	180,00	± 0,35

**Pluggable Terminal Block**

Part No.: **A14Q008**

DRW:	Jason	CHKD	Wilson	MATL:	Wilson	TOLERANCE	Mason	DATE	26.05.2014	Customer:
APPD:	Schumi			FINISH	Jamy		Sheet No.	2 from 4		

# EDCON-COMPONENTS



## Ordering Informations

Serie	No. of Pos.	Body Color	Approval	Approval Code	ROHS	Packing	EDCON Cust. No.	Customer Version		
-------	-------------	------------	----------	---------------	------	---------	-----------------	------------------	--	--

<b>A14Q008</b>	<b>02</b>	<b>GN</b>	<b>N</b>	<b>N</b>	<b>R</b>	<b>B</b>				
----------------	-----------	-----------	----------	----------	----------	----------	--	--	--	--

Pitch 7,50	<b>02</b> = Number of Pos. Standard 2 ~ 24Pos.	<b>GY</b> = Gray (Standard)  <b>GN</b> = Green  <b>OR</b> = Orange  <b>BK</b> = Black	<b>N</b> = No Approval  <b>1</b> = Approval for Material  <b>2</b> = Approval for Terminal Block	<b>N</b> = NON Approval  <b>A</b> = UL /UR Approval Please consult EDCON for available  <b>B</b> = VDE Approval Please consult EDCON for available  <b>C</b> = TÜV Approval Please consult EDCON for available	<b>R</b> = ROHS Conform  <b>N</b> = NON ROHS Conform	<b>B</b> = Standard Package  <b>I</b> = Individual Package	<b>xxxxxx</b> = Customer Number	<b>xxx</b> = Customer Version ??(Printing)		
---------------	---	---	--	--	--	--	---------------------------------	--	--	--

**Pluggable Terminal Block**

Part No.: **A14Q008**

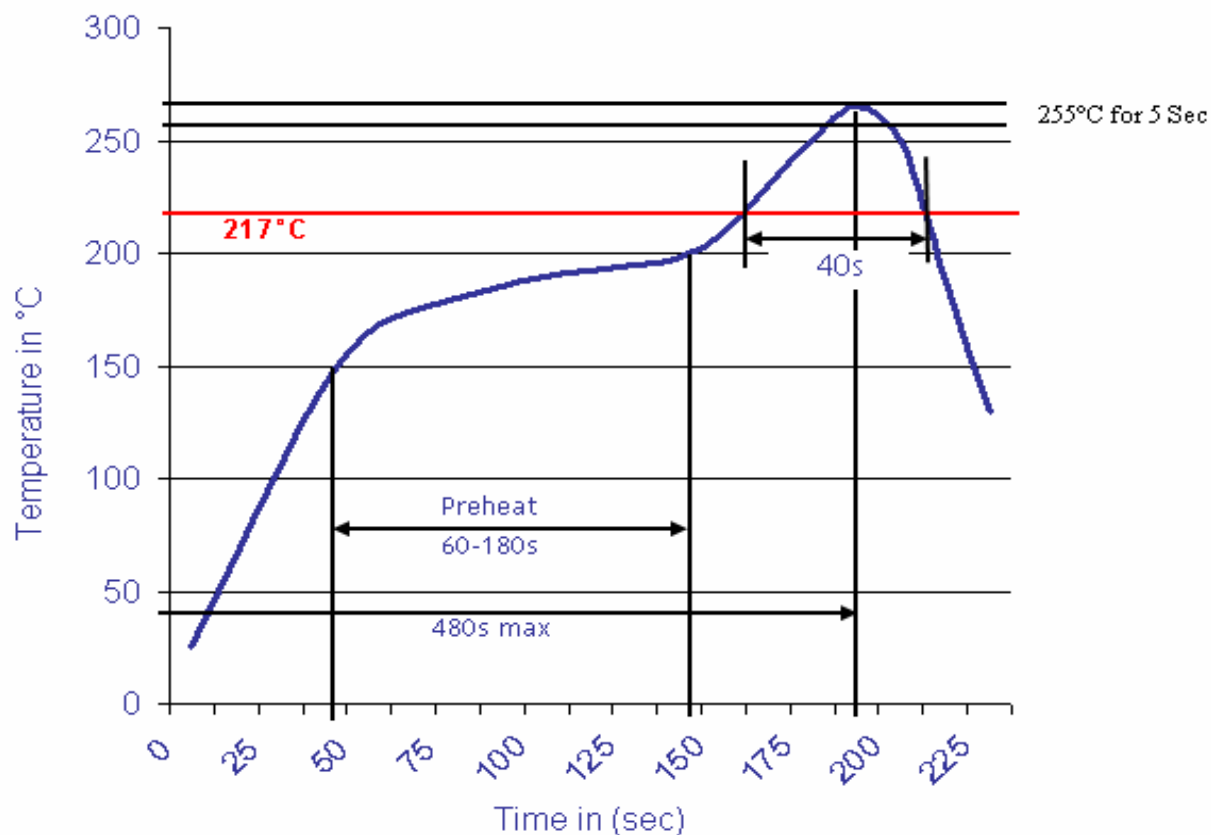
DRW:	Jason	CHKD	Wilson	MATL:	Wilson	TOLERANCE	Mason	DATE	26.05.2014
APPD:	Schumi			FINISH	Jamy		Sheet No.		3 from 4

Customer:



Soldering Profile Curve

Classification Reflow Profile (JEDEC J-STD-020C)



**Pluggable Terminal Block**

Part No.: **A14Q008**

Customer:

DRW:	Jason	CHKD	Wilson	MATL:	Wilson	TOLERANCE	Mason	DATE	26.05.2014
APPD:	Schumi			FINISH	Jamy		Sheet No.	4 from 4	