

Data Sheet

Pluggable Terminal Block (Header)

Pitch: 7,50 mm

Serie: A14Q005

Customer Information for special Item

EDCON Customer : 0

Customer Version No. : 0

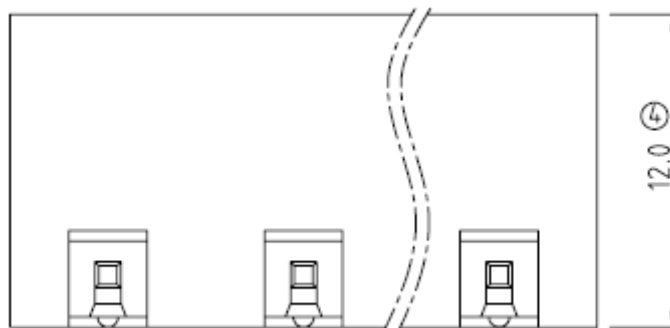
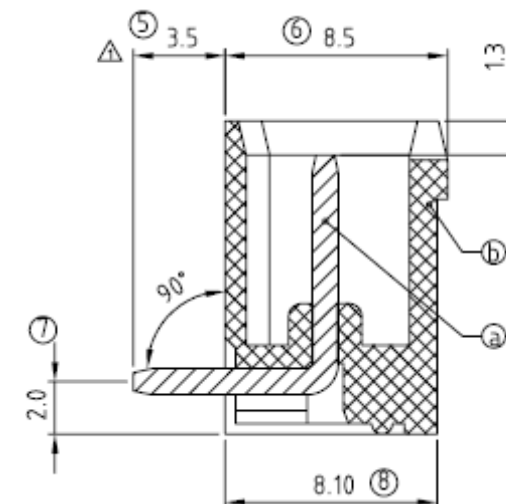
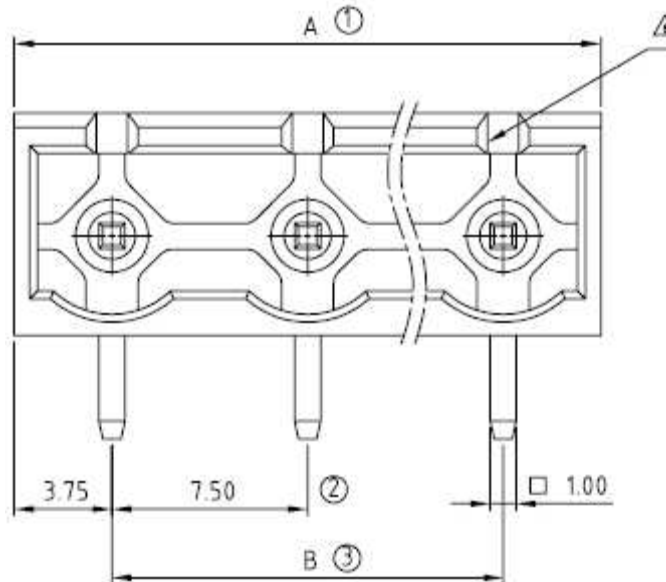
EDCON-COMPONENTS



Technical Description

Electrical	UL	TÜV
Rated Voltage	300Volt	750Volt
Rated Current	20A	15A
Withstanding Voltage	1,6KV	6KV
Insulation Resistance	5000MΩ / 1000V	
Mechanical		
Operating Temperature	-40°C ~ +115°C	
Dimensions		
Pitch (mm)	7,50	
Poles	2 ~ 16 Pos.	
Materials		
Terminal Housing	Thermoplastic, PBT UL94V-0	
Pin Header	Brass Tin Plated	

Drawing (Dimension in mm)



Pluggable Terminal Block (Header)

Part No.: **A14Q005**

Customer:

DRW:	Jason	CHKD	Wilson	MATL:	Wilson	TOLERANCE	Mason	DATE	05.04.2015
APPD:	Schumi			FINISH	Jamy			Sheet No.	1 from 4

EDCON-COMPONENTS



Ordering Informations

Serie	No. of Pos.	Body Color	No Function	Approval Code	ROHS	Packing	EDCON Cust. No.	Customer Version		
-------	-------------	------------	-------------	---------------	------	---------	-----------------	------------------	--	--

A14Q005	02	PG	N	N	R	B				
----------------	-----------	-----------	----------	----------	----------	----------	--	--	--	--

Pitch 7,50	02 = Number of Pos.	PG = Phoenix Green (Standard)	N = No function	N = NON Approval	R = ROHS Conform	B = Bulk-Ware	xxxxxx = Customer Number	xxx = Customer Version ??(Printing)		
---------------	----------------------------	--------------------------------------	------------------------	-------------------------	-------------------------	----------------------	---------------------------------	--	--	--

Standard 2 +3 Pos.	WH = White	A = UL /UR Approval Please consult EDCON for available B = VDE Approval Please consult EDCON for available C = TÜV Approval Please consult EDCON for available	N = NON ROHS Conform I = Individual Package
Other Position on Request Please consult EDCON	GN = Green		
	GY = Gray		
	LG = Light Gray		
	OR = Orange		
	BL = Blue		
BK = Black			

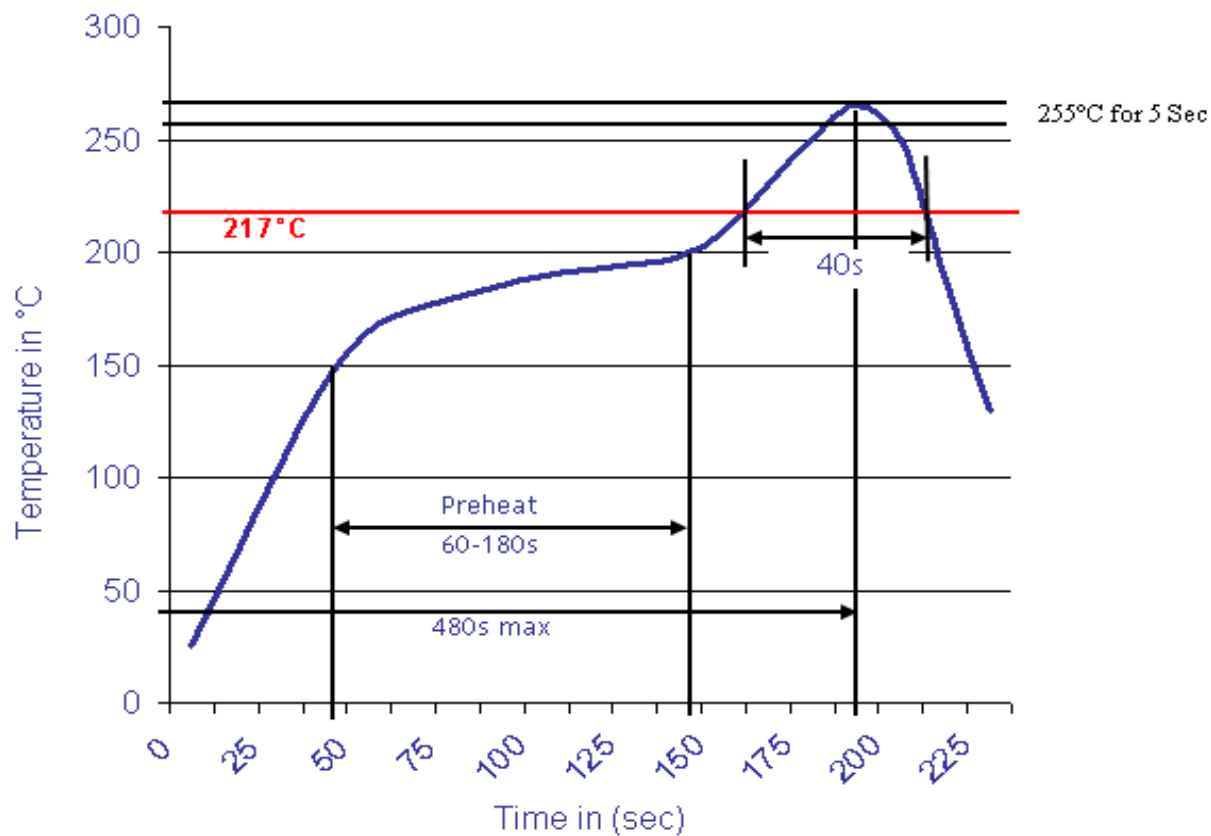
Pluggable Terminal Block (Header)	
Part No.:	A14Q005
Customer:	

DRW:	Jason	CHKD	Wilson	MATL:	Wilson	TOLERANCE	Mason	DATE	05.04.2015
APPD:	Schumi			FINISH	Jamy			Sheet No.	3 from 4



Soldering Profile Curve

Classification Reflow Profile (JEDEC J-STD-020C)



**Pluggable Terminal Block
(Header)**

Part No.: **A14Q005**

Customer:

DRW:	Jason	CHKD	Wilson	MATL:	Wilson	TOLERANCE	Mason	DATE	05.04.2015
APPD:	Schumi			FINISH	Jamy		Sheet No.	4 from 4	