

# Data Sheet

## Pluggable Terminal Block

**Pitch: 7,50 mm**

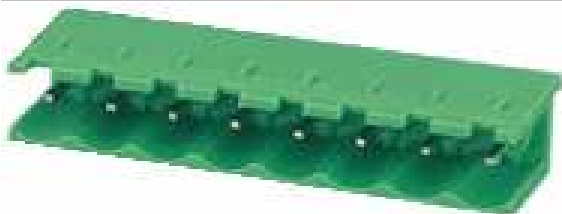
**Serie: A14Q004**

### Customer Information for special Item

**EDCON Customer : 0**

**Customer Version No. : 0**

# EDCON-COMPONENTS



## Technical Discription

## Drawing (Dimension in mm)

### Electrical

Standard	UL	IEC
Rated voltage	300V	320V, 400V
Rated current	15A	20A
Withstanding voltage	AC 2500V/1min	

### Mechanical

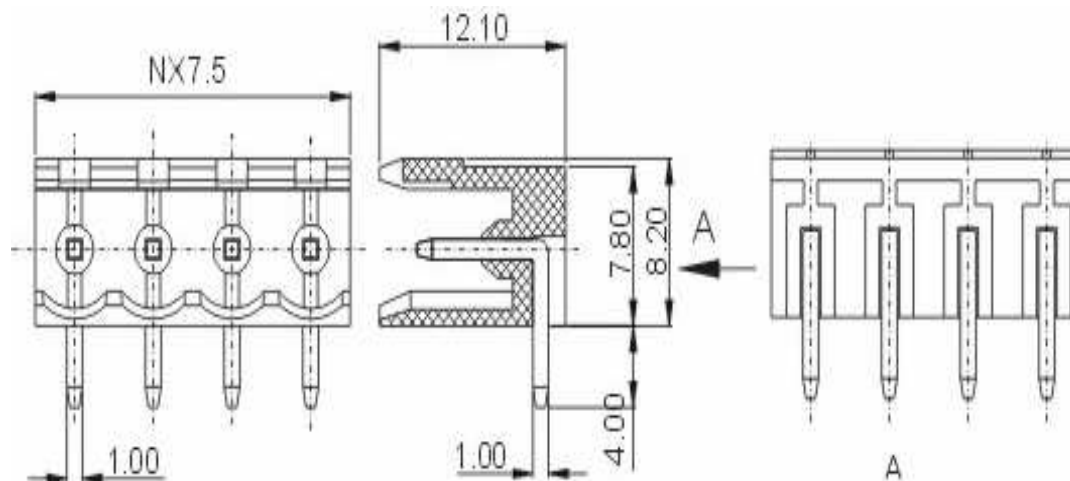
Ambient temperature	-40°C ~ +105°C
---------------------	----------------

### Dimensions

Pitch	7.50mm
Poles	2P - 24P   2P - 12P

### Material

Housing	PA66 (UL94V-0)
Pin header	Brass, Tin plated



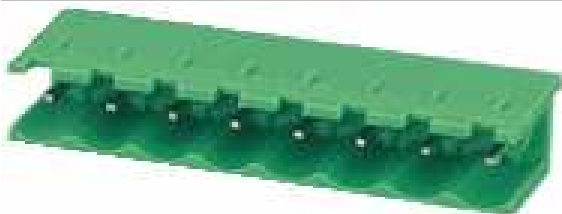
### Pluggable Terminal Block

Part No.: **A14Q004**

Customer:

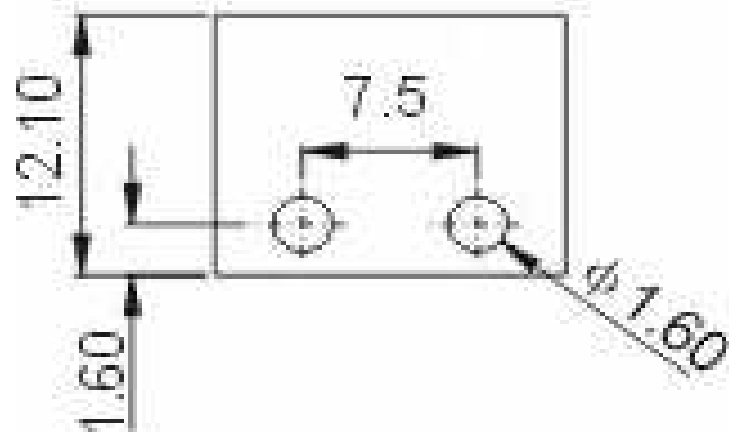
DRW:	Jason	CHKD	Wilson	MATL:	Wilson	TOLERANCE	Mason	DATE	26.05.2014
APPD:	Schumi			FINISH	Jamy		Sheet No.	1 from 4	

# EDCON-COMPONENTS



PCB Layout (Dimension in mm)

Dimensions (mm)



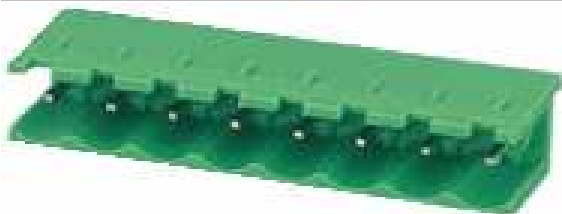
No. of Pos.	A	Tol. P
02	15,00	$\pm 0,35$
03	22,50	$\pm 0,35$
04	30,00	$\pm 0,35$
05	37,50	$\pm 0,35$
06	45,00	$\pm 0,35$
07	52,50	$\pm 0,35$
08	60,00	$\pm 0,35$
09	67,50	$\pm 0,35$
10	75,00	$\pm 0,35$
11	82,50	$\pm 0,35$
12	90,00	$\pm 0,35$
13	97,50	$\pm 0,35$
14	105,00	$\pm 0,35$
15	112,50	$\pm 0,35$
16	120,00	$\pm 0,35$
17	127,50	$\pm 0,35$
18	135,00	$\pm 0,35$
19	142,50	$\pm 0,35$
20	150,00	$\pm 0,35$
21	157,50	$\pm 0,35$
22	165,00	$\pm 0,35$
23	172,50	$\pm 0,35$
24	180,00	$\pm 0,35$

**Pluggable Terminal Block**

Part No.: **A14Q004**

DRW:	Jason	CHKD	Wilson	MATL:	Wilson	TOLERANCE	Mason	DATE	26.05.2014
APPD:	Schumi			FINISH	Jamy		Sheet No.	2 from 4	Customer:

# EDCON-COMPONENTS



## Ordering Informations

Serie	No. of Pos.	Body Color	Approval	Approval Code	ROHS	Packing	EDCON Cust. No.	Customer Version		
-------	-------------	------------	----------	---------------	------	---------	-----------------	------------------	--	--

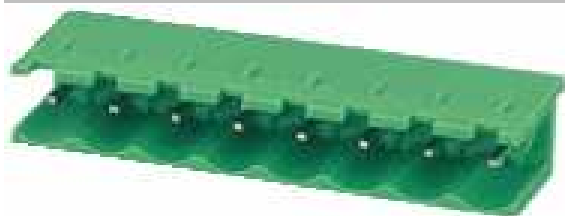
<b>A14Q004</b>	<b>02</b>	<b>GN</b>	<b>N</b>	<b>N</b>	<b>R</b>	<b>B</b>				
----------------	-----------	-----------	----------	----------	----------	----------	--	--	--	--

Pitch 7,50	<b>02=</b> Number of Pos. Standard 2 ~ 24Pos.	<b>GY=</b> Gray (Standard)	<b>N=</b> No Approval	<b>N=</b> NON Approval	<b>R=</b> ROHS Conform	<b>B=</b> Standard Package	<b>xxxxxx=</b> Customer Number	<b>xxx=</b> Customer Version ??(Printing)
---------------	--	----------------------------	-----------------------	------------------------	------------------------	----------------------------	--------------------------------	---

		<b>GN=</b> Green	<b>1=</b> Approval for Material	<b>A=</b> UL /UR Approval Please consult EDCON for available	<b>N=</b> NON ROHS Conform	<b>I=</b> Individual Package		
			<b>2=</b> Approval for Terminal Block					
		<b>OR=</b> Orange		<b>B=</b> VDE Approval Please consult EDCON for available				
		<b>BK=</b> Black		<b>C=</b> TÜV Approval Please consult EDCON for available				

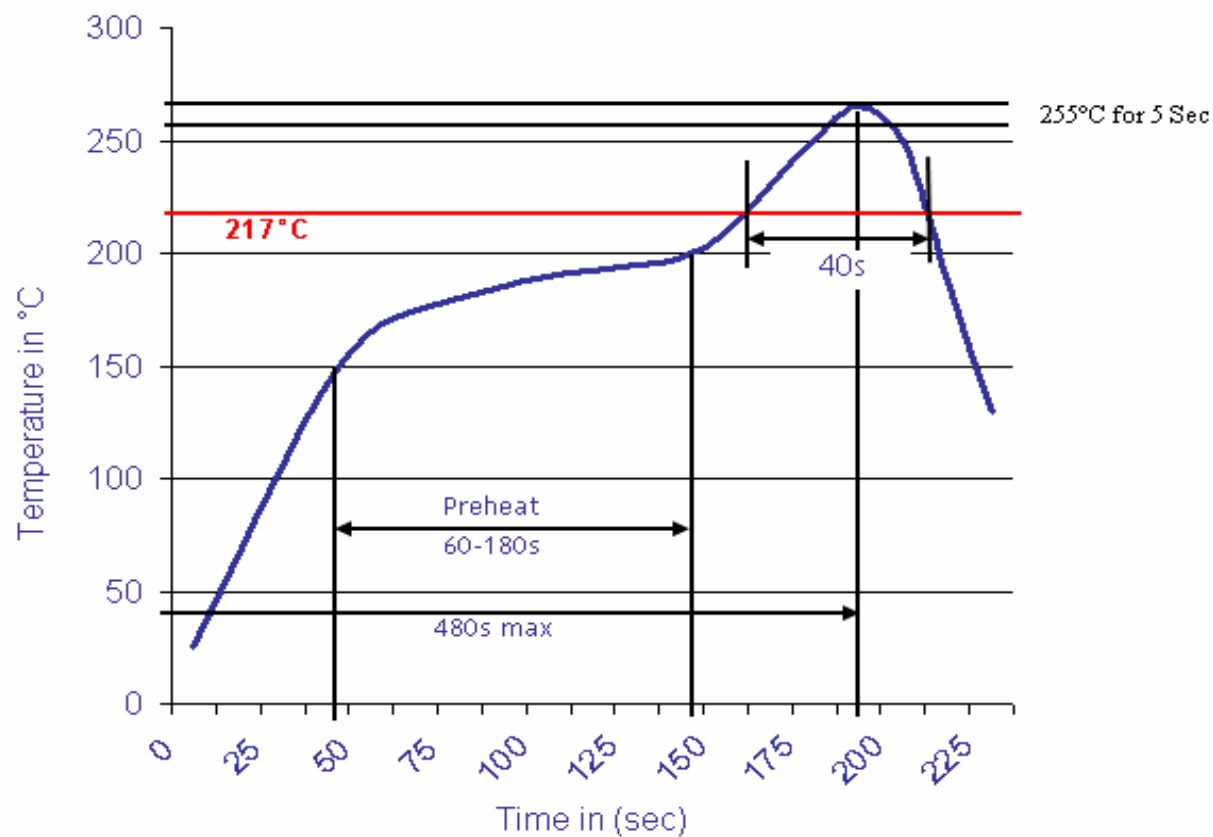
<b>Pluggable Terminal Block</b>	
Part No.:	<b>A14Q004</b>
Customer:	

DRW:	Jason	CHKD	Wilson	MATL:	Wilson	TOLERANCE	Mason	DATE	26.05.2014
APPD:	Schumi			FINISH	Jamy			Sheet No.	3 from 4



Soldering Profile Curve

Classification Reflow Profile (JEDEC J-STD-020C)



**Pluggable Terminal Block**

Part No.: **A14Q004**

Customer:

DRW:	Jason	CHKD	Wilson	MATL:	Wilson	TOLERANCE	Mason	DATE	26.05.2014
APPD:	Schumi			FINISH	Jamy		Sheet No.	4 from 4	