

# Data Sheet

## Pluggable Terminal Block (Plug)

**Pitch: 5,08 mm**

**Serie: A14M103**

### Customer Information for special Item

**EDCON Customer : 0**

**Customer Version No. : 0**

# EDCON-COMPONENTS



## Technical Description

## Drawing (Dimension in mm)

	Approvals	
	UR/US	VDE
<b>Electrical</b>		
Rated Voltage	300V	300V
Rated Current	15A	17A
Wire Range	0,34~2,5mm <sup>2</sup>	
Solid Wire	12 ~ 24	
Standed Wire	12 ~ 24	
Withstanding Voltage	1,6KV	2,5KV
Insulation Resistance	5000MΩ / 1000V	
<b>Mechanical</b>		
Operating Temperature	-40°C ~ +115°C	
Wire Strip Length	6-7mm	
Screw Torque	3,5 LB-In	
Screw Size	M3	
<b>Dimensions</b>		
Pitch (mm)	5,08	
Poles	2 ~ 24 Pos.	
<b>Materials</b>		
Terminal Housing	Thermoplastic, UL94V-0	
Clamp	Brass Ni-plated	
Female Contact	Copper tin-plated	
Wire Guard	Stainless Steel	
Screw	Steel Ni-plated / Zinc plated	

No. of Pos.	A	B			Tol. B
02	10,16	5,08			± 0,15
03	15,24	10,16			± 0,15
04	20,32	15,24			± 0,15
05	25,40	20,32			± 0,15
06	30,48	25,40			± 0,15
07	35,56	30,48			± 0,25
08	40,64	35,56			± 0,25
09	45,72	40,64			± 0,25
10	50,80	45,72			± 0,25
11	55,88	50,80			± 0,25
12	60,96	55,88			± 0,25
13	66,04	60,96			± 0,30
14	71,12	66,04			± 0,30
15	76,20	71,12			± 0,30
16	81,28	76,20			± 0,30
17	86,36	81,28			± 0,30
18	91,44	86,36			± 0,30
19	96,52	91,44			± 0,40
20	101,60	96,52			± 0,40
21	106,68	101,60			± 0,40
22	111,76	106,68			± 0,40
23	116,84	111,76			± 0,40
24	121,92	116,84			± 0,40

### Pluggable Terminal Block (Plug)

Part No.: **A14M103**

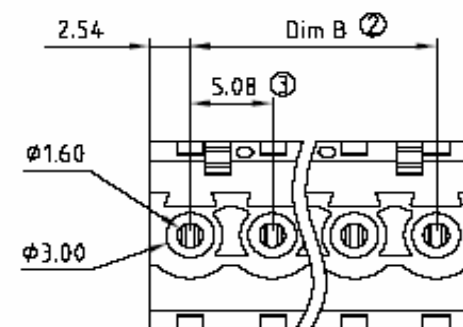
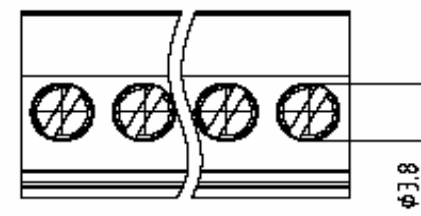
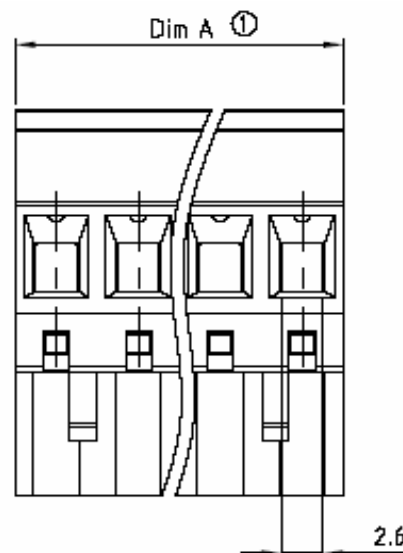
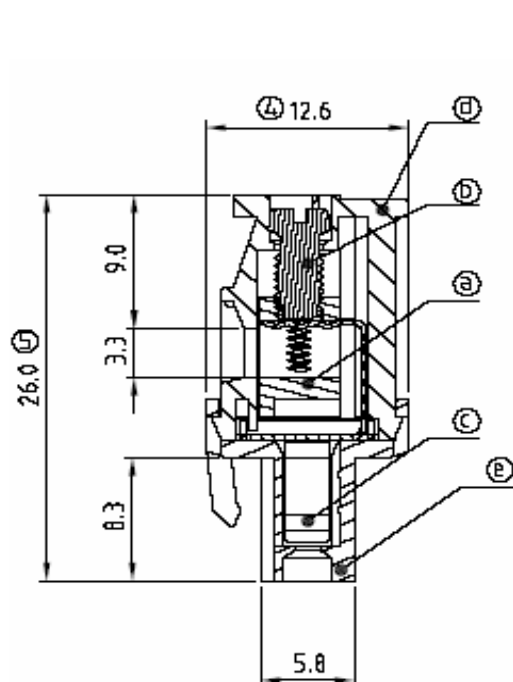
Customer:

DRW:	Jason	CHKD	Wilson	MATL:	Wilson	TOLERANCE	Mason	DATE	31.05.2012
APPD:	Schumi			FINISH	Jamy		Sheet No.		1 from 3

# EDCON-COMPONENTS



Drawing (Dimension in mm)



**Pluggable Terminal Block  
(Plug)**

Part No.: **A14M103**

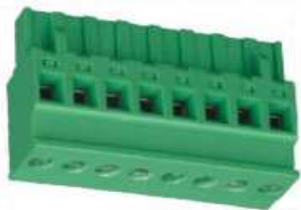
Customer:

DRW:	Jason	CHKD	Wilson	MATL:	Wilson	TOLERANCE	Mason	DATE	31.05.2012
APPD:	Schumi			FINISH	Jamy		Sheet No.	2 from 3	

[www.edcon-components.com](http://www.edcon-components.com)

email: [info@edcon-components.com](mailto:info@edcon-components.com)

# EDCON-COMPONENTS



## Ordering Informations

Serie	No. of Pos.	Body Color	Screw Type	Approval Code	ROHS	Packing	EDCON Cust. No.	Customer Version		
<b>A14M103</b>	<b>02</b>	<b>PG</b>	<b>A</b>	<b>N</b>	<b>R</b>	<b>B</b>				

Pitch  
5,08

<b>02</b> = Number of Pos.  Standard 2 ~ 24Pos.	<b>PG</b> = Phoenix Green (Standard)	<b>A</b> = Slotted Screw Type (Standard)	<b>N</b> = NON Approval	<b>R</b> = ROHS Conform	<b>B</b> = Bulk-Ware  <b>I</b> = Individual Package	<b>xxxxxx</b> = Customer Number	<b>xxx</b> = Customer Version ??(Printing)
	<b>WH</b> = White		<b>A</b> = UL /UR Approval Please consult EDCON for available	<b>N</b> = NON ROHS Conform			
	<b>GN</b> = Green	<b>B</b> = Cross Slotted Screw Type	<b>B</b> = VDE Approval Please consult EDCON for available	<b>C</b> = TÜV Approval Please consult EDCON for available			
	<b>GY</b> = Gray						
	<b>LG</b> = Light Gray						
	<b>OR</b> = Orange						
	<b>BL</b> = Blue						
<b>BK</b> = Black							

**Pluggable Terminal Block (Plug)**

Part No.: **A14M103**

DRW:	Jason	CHKD	Wilson	MATL:	Wilson	TOLERANCE	Mason	DATE	31.05.2012
APPD:	Schumi			FINISH	Jamy		Sheet No.	3 from 3	Customer: