

Data Sheet

Pluggable Terminal Block (Wafer)

Pitch: 3,50 mm

Serie: A14M095

Customer Information for special Item

EDCON Customer : xxxxxx

Customer Version No. : xx

EDCON-COMPONENTS



Technical Discription

Electrical:

Rated voltage:
 Rated current:
 Withstanding Voltage: AC/1min:
 Withstanding Voltage: Impuls
 Operating Temperature:

| UL | IEC | VDE |
|-------|-------|-----|
| 300 | 320 | |
| 15A | 12A | |
| 1,6KV | 1,6KV | |
| 4KV | 4KV | |

-40°C ~ +105°C

Mechanical:

Strip length: mm
 Wire range: Solid wire: AWG
 Wire range: Stranded wire:AWG

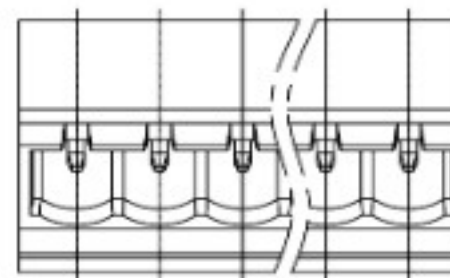
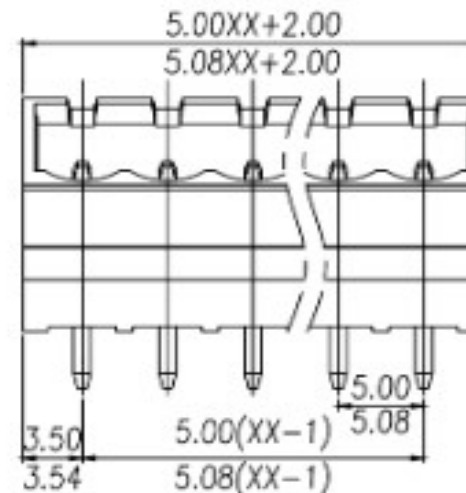
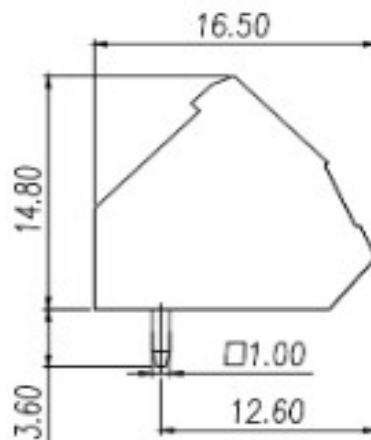
| | | |
|--|--|--|
| | | |
| | | |
| | | |

Material:

Housing Terminal Body: PA66 / UL94V-0
 Material Screw: Stainless steel
 Material Terminal: Copper Matte Tin plated over Nickel
 Temperature Range: -40°C ~ +105°C
 Solder Pin Dimension: 1.0x1,0mm
 PCB-Hole Diameter: 1,7mm

No off Positions: 2~24

Drawing (Dimension in mm)



Tolerances unless otherwise specified (mm)

| x | x.x | x.xx | x.xxx | Angle |
|---|-----|------|-------|-------|
| ± | ± | ± | ± | ±3° |

Pluggable Terminal Block (Wafer)

Part No.: **A14M095**

| | | | | | | | | | |
|-------|--------|-------|--------|---------|--------|------------|-------|------------|------------|
| DRW: | Jason | CHKD: | Wilson | MATL: | Wilson | TOLERANCE: | Mason | DATE: | 26.01.2024 |
| APPD: | Schumi | | | FINISH: | Jamy | | | Sheet No.: | 1 from 4 |

Customer:

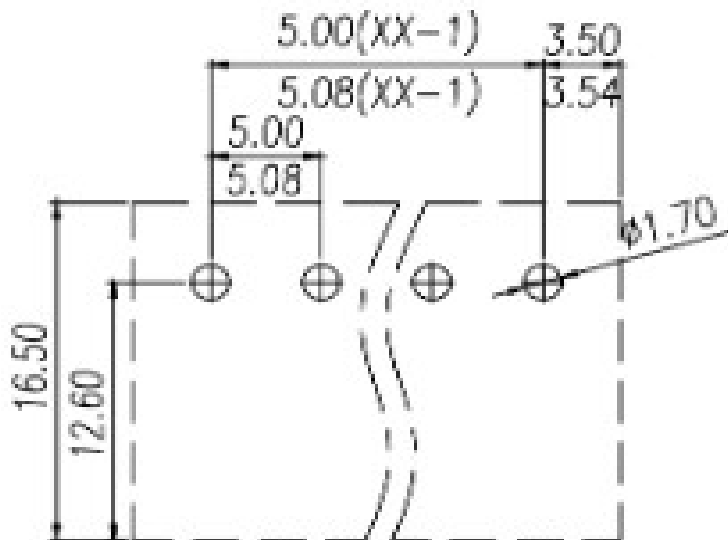
www.edcon-components.com

email: info@edcon-components.com



PCB Layout

Dimensions / Tolerance (mm)



| | |
|---|----------------|
| Pluggable Terminal Block (Wafer) | |
| Part No.: | A14M095 |
| Customer: | |

| | | | | | | | | | |
|-------|--------|---------|--------|-------|--------|------------|-------|-------|------------|
| DRW: | Jason | CHKD: | Wilson | MATL: | Wilson | TOLERANCE: | Mason | DATE: | 26.01.2024 |
| APPD: | Schumi | FINISH: | Jamy | | | Sheet No. | | | 2 from 4 |

www.edcon-components.com

email: info@edcon-components.com

EDCON-COMPONENTS



Ordering Informations

| Serie | No. of Pos. | Body Color | No Function | Approval Code | ROHS | Packing | EDCON Cust. No. | Customer Version | | |
|----------------|-------------|------------|-------------|---------------|----------|----------|-----------------|------------------|--|--|
| A14M095 | 02 | PG | N | N | R | B | xxxxxx | xx | | |

Pitch
3,50

| | | | | | | | |
|----------------------------|--------------------------------------|------------------------|---|-----------------------------|-------------------------------|---------------------------------|---|
| 02 = Number of Pos. | PG = Phoenix Green (Standard) | N = No function | N = NON Approval | R = ROHS Conform | B = Bulk-Ware | xxxxxx = Customer Number | xx = Customer Version ??(Printing) |
| Standard 2 +3 Pos. | WH = White | | 1 = UL-Approval for Material | N = NON ROHS Conform | I = Individual Package | | |
| | GN = Green | | A = UL /UR Approval Please consult EDCON for available | | | | |
| | GY = Gray | | | | | | |
| | LG = Light Gray | | | | | | |
| | OR = Orange | | B = VDE Approval Please consult EDCON for available | | | | |
| | BL = Blue | | | | | | |
| | BK = Black | | C = TÜV Approval Please consult EDCON for available | | | | |

Pluggable Terminal Block (Wafer)

Part No.: **A14M095**

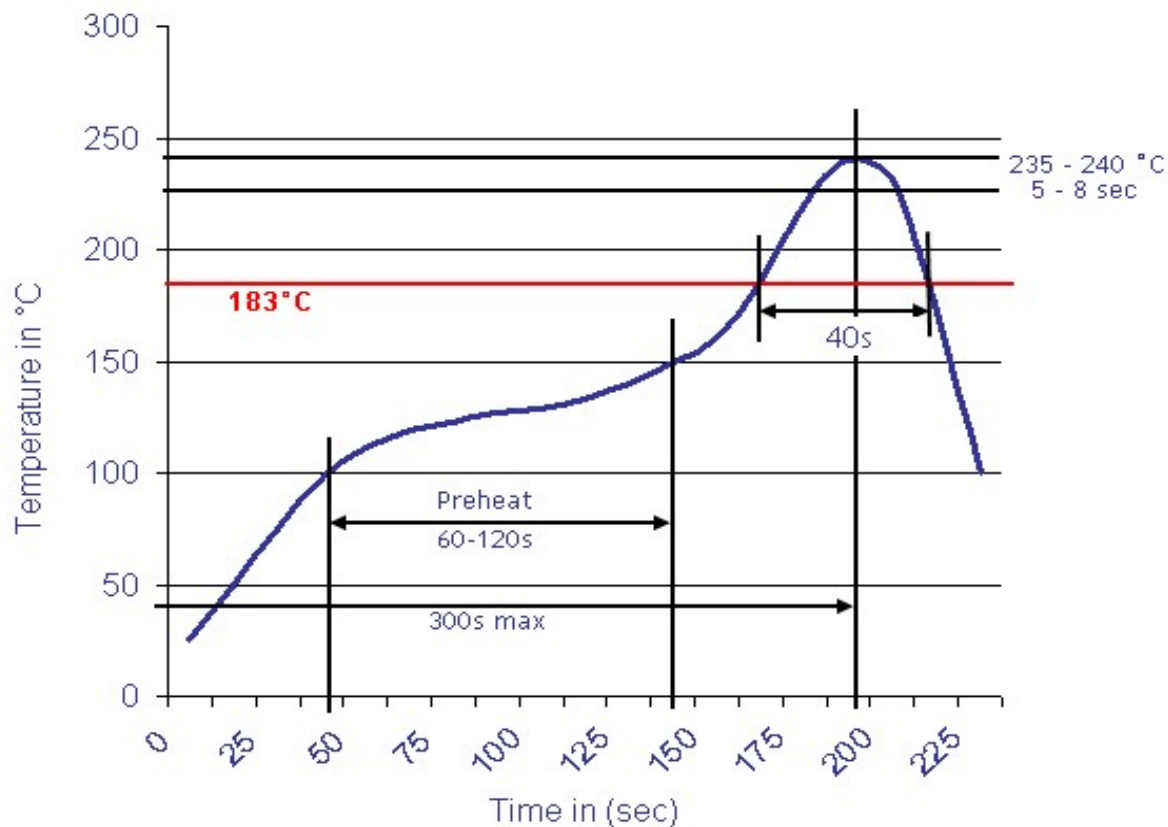
| | | | | | | | | | |
|-------|--------|------|--------|--------|--------|-----------|-----------|------|------------|
| DRW: | Jason | CHKD | Wilson | MATL: | Wilson | TOLERANCE | Mason | DATE | 26.01.2024 |
| APPD: | Schumi | | | FINISH | Jamy | | Sheet No. | | 3 from 4 |

Customer:



Soldering Profile Curve

Classification Reflow Profile (JEDEC J-STD-020C)



**Pluggable Terminal Block
(Wafer)**

Part No.: **A14M095**

Customer:

| | | | | | | | | | |
|-------|--------|------|--------|--------|--------|-----------|-----------|----------|------------|
| DRW: | Jason | CHKD | Wilson | MATL: | Wilson | TOLERANCE | Mason | DATE | 26.01.2024 |
| APPD: | Schumi | | | FINISH | Jamy | | Sheet No. | 4 from 4 | |