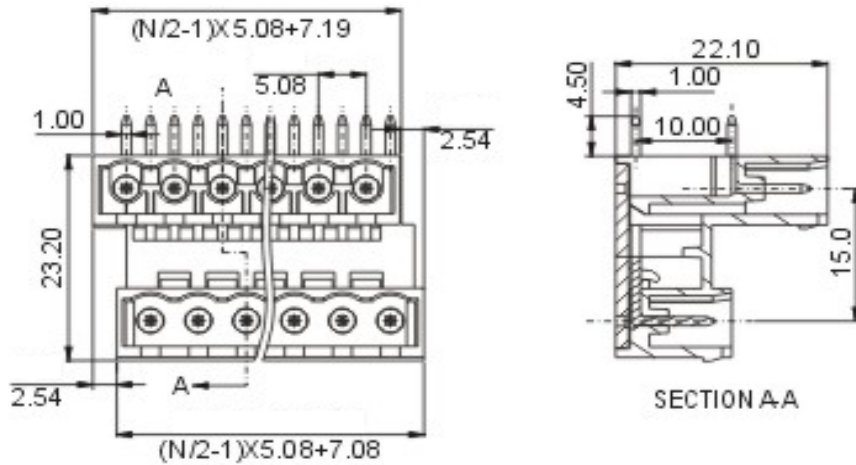


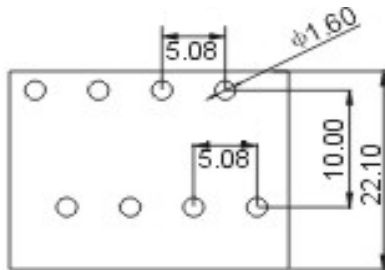
EDCON-COMPONENTS



Drawing



P.C.B. Layout



Specification

APPROVAL		UL	VDE
Electrical	Standard	UL	IEC
	Rated voltage	300V	320V
	Rated current	15A	10A
	Withstanding voltage	AC 2500V/1min	
Mechanical	Ambient temperature	-40°C ~ +105°C	
Dimensions	Pitch	5.08mm	
	Poles	2x (2P - 24P)	
Material	Housing	PA66 (UL94V-0)	
	Pin header	Brass, Tin plated	



Certification



Pluggable Terminal Block /
Pitch 5.08mm

Part No.: A14M091

Customer:

DRW:	Bill	CHKD	Lord	MATL:	Jimmy	TOLERANCE	Sam	DATE	14.3.2009
APPD:	Louis			FINISH	Georg		Sheet No.		1 from 3

www.edcon-components.com

email: info@edcon-components.com

EDCON-COMPONENTS



Ordering Informations

Serie	-	No. of Pole	Body-Color	-	Customer Request
A14M091	-	XX	XX	-	X

XX = total	WH - white
02	GN - green
...	GR - gray
24	LG - light gray
	PG - Phoenix Green
	OR - orange
	BL - blue
	BK - black



Certification



Pluggable Terminal Block /
Pitch 5.08mm

Part No.: A14M091

Customer:

DRW:	Bill	CHKD	Lord	MATL:	Jimmy	TOLERANCE	Sam	DATE	14.3.2009
APPD:	Louis			FINISH	Georg			Sheet No.	2 from 3

www.edcon-components.com

email: info@edcon-components.com

EDCON-COMPONENTS



Soldering - Profil

Classification Reflow Profile (JEDEC J-STD-020C)



Pluggable Terminal Block /
Pitch 5.08mm

Part No.: A14M091

Customer:

DRW:	Bill	CHKD	Lord	MATL:	Jimmy	TOLERANCE	Sam	DATE	14.3.2009
APPD:	Louis			FINISH	Georg		Sheet No.	3 from 3	

www.edcon-components.com

email: info@edcon-components.com