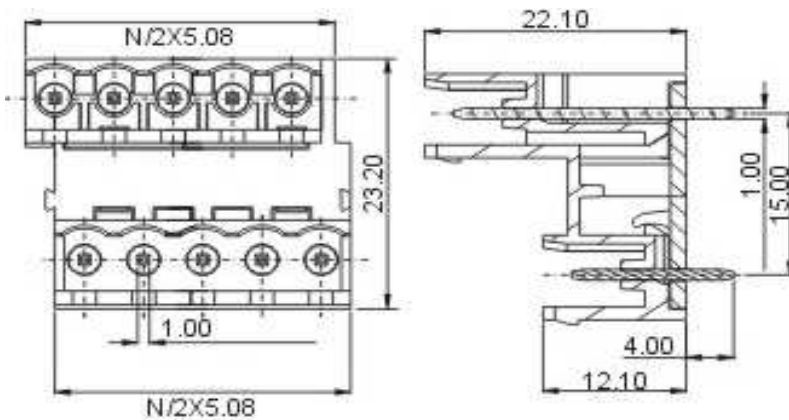


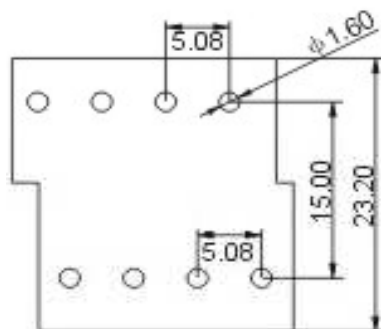
EDCON-COMPONENTS



Drawing



P.C.B. Layout



Specification

APPROVAL		UL ^{us}	VDE
Electrical			
Standard	UL	IEC	
Rated voltage	300V	320V	
Rated current	15A	10A	
Withstanding voltage	AC 2500V/1min		
Mechanical			
Ambient temperature	-40°C ~ +105°C		
Dimensions			
Pitch	5.08mm		
Poles	2x (2P, 3P - 24P)		
Material			
Housing	PA66 (UL94V-0)		
Pin header	Brass, Tin plated		



Certification

Wafer Double Row Terminal Block /
Pitch 5.08mm

Part No.: A14M087

Customer:

DRW:	Bill	CHKD	Lord	MATL:	Jimmy	TOLERANCE	Sam	DATE	11.04.2022
APPD:	Louis			FINISH	Georg			Sheet No.	1 from 3

www.edcon-components.com

email: info@edcon-components.com

Copyright by EDCON-COMPONENTS

EDCON-COMPONENTS



Ordering Informations

Serie	-	No. of Pole	Body-Color	-	Customer Request
A14M087	-	XX	XX	-	X

XX = total	WH - white
04 =	GN - green
(2x02)	GR - gray
	LG - light gray
...	PG - Phoenix Green
48=(2x24)	OR - orange
	BL - blue
	BK - black



Certification

Wafer Double Row Terminal Block /
Pitch 5.08mm

Part No.: A14M087

Customer:

DRW:	Bill	CHKD	Lord	MATL:	Jimmy	TOLERANCE	Sam	DATE	11.04.2022
APPD:	Louis			FINISH	Georg		Sheet No.		2 from 3

www.edcon-components.com

email: info@edcon-components.com

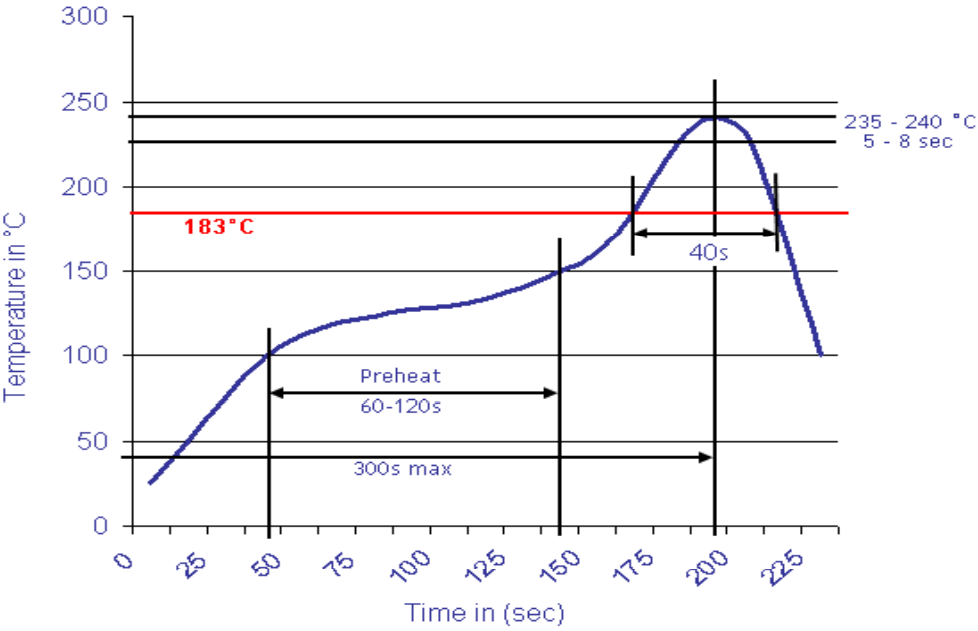
Copyright by EDCON-COMPONENTS

EDCON-COMPONENTS



Soldering - Profil

Classification Reflow Profile (JEDEC J-STD-020C)



Wafer Double Row Terminal Block /
Pitch 5.08mm

Part No.: A14M087

Customer:

DRW:	Bill	CHKD	Lord	MATL:	Jimmy	TOLERANCE	Sam	DATE	11.04.2022
APPD:	Louis			FINISH	Georg		Sheet No.		3 from 3