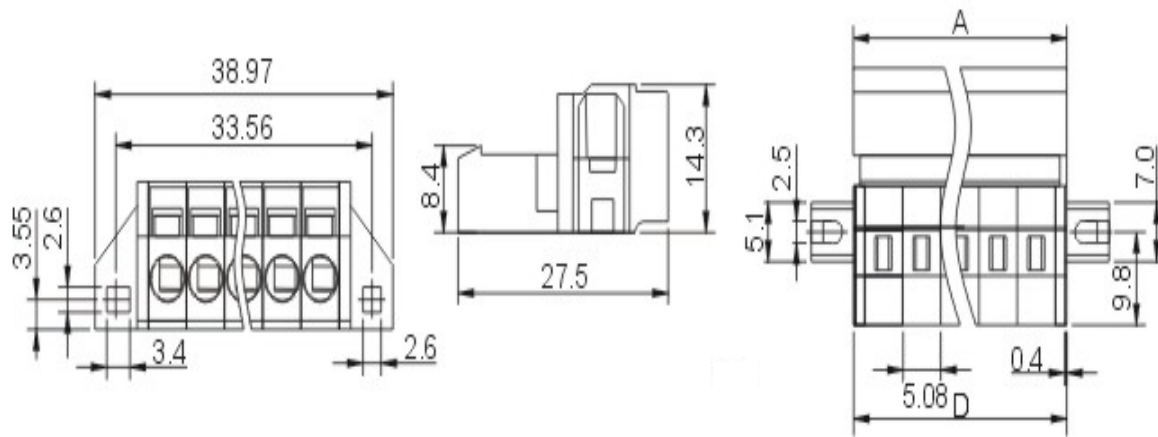


# EDCON-COMPONENTS



## Drawing



## P.C.B. Layout

## Specification

### APPROVAL



#### Electrical

Standard

UL

IEC

Rated voltage

300V

320V, 400V

Rated current

15A

20A

Wire range

22-14 AWG

2.5mm<sup>2</sup>

Withstanding voltage

AC 2500V/1min

#### Mechanical

Ambient temperature

-40°C ~ +105°C

Strip length

8-9mm

#### Dimensions

Pitch

5.08mm

Poles

2P - 24P

2P - 12P

#### Material

Housing

PA66 (UL94V-0)

Contact

Copper

Wire guard

Stainless steel



### Certification



Pluggable Terminal Block /  
Pitch 5.08mm

Part No.:

A14M070

Customer:

DRW:	Bill	CHKD	Lord	MATL:	Jimmy	TOLERANCE	Sam	DATE	14.3.2009
APPD:	Louis			FINISH	Georg		Sheet No.		1 from 3

[www.edcon-components.com](http://www.edcon-components.com)

email: [info@edcon-components.com](mailto:info@edcon-components.com)

# EDCON-COMPONENTS



## Ordering Informations

Serie	-	No. of Pole	Body-Color	-	Customer Request
<b>A14M070</b>	-	<b>XX</b>	<b>XX</b>	-	<b>X</b>

XX = total	<b>WH</b> - white
02	<b>GN</b> - green
...	<b>GR</b> - gray
24	<b>LG</b> - light gray
	<b>PG</b> - Phoenix Green
	<b>OR</b> - orange
	<b>BL</b> - blue
	<b>BK</b> - black



**Certification**



Pluggable Terminal Block /  
Pitch 5.08mm

Part No.: A14M070

Customer:

DRW:	Bill	CHKD	Lord	MATL:	Jimmy	TOLERANCE	Sam	DATE	14.3.2009
APPD:	Louis			FINISH	Georg			Sheet No.	2 from 3

[www.edcon-components.com](http://www.edcon-components.com)

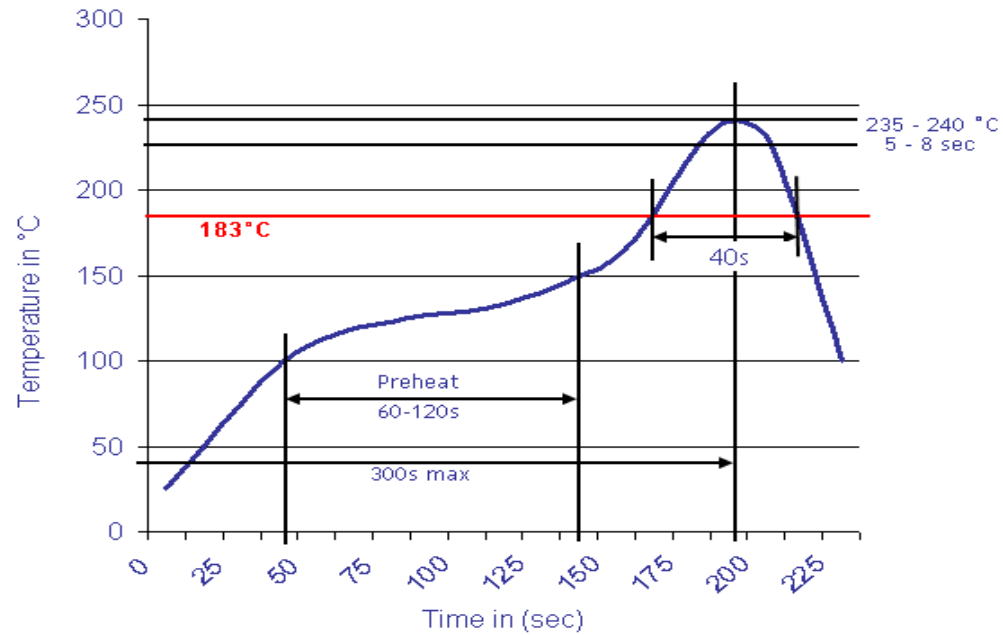
email: [info@edcon-components.com](mailto:info@edcon-components.com)

# EDCON-COMPONENTS



## Soldering - Profil

### Classification Reflow Profile (JEDEC J-STD-020C)



Pluggable Terminal Block /  
Pitch 5.08mm

Part No.: A14M070

Customer:

DRW:	Bill	CHKD	Lord	MATL:	Jimmy	TOLERANCE	Sam	DATE	14.3.2009
APPD:	Louis			FINISH	Georg		Sheet No.	3 from 3	

[www.edcon-components.com](http://www.edcon-components.com)

email: [info@edcon-components.com](mailto:info@edcon-components.com)

Copyright by EDCON-COMPONENTS