

Data Sheet

DIN-Rail Pluggable Terminal Block

Pitch: 5,08 mm

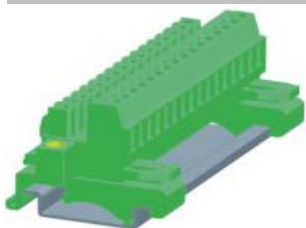
Serie: A14M059

Customer Information for special Item

EDCON Customer : 0

Customer Version No. : 0

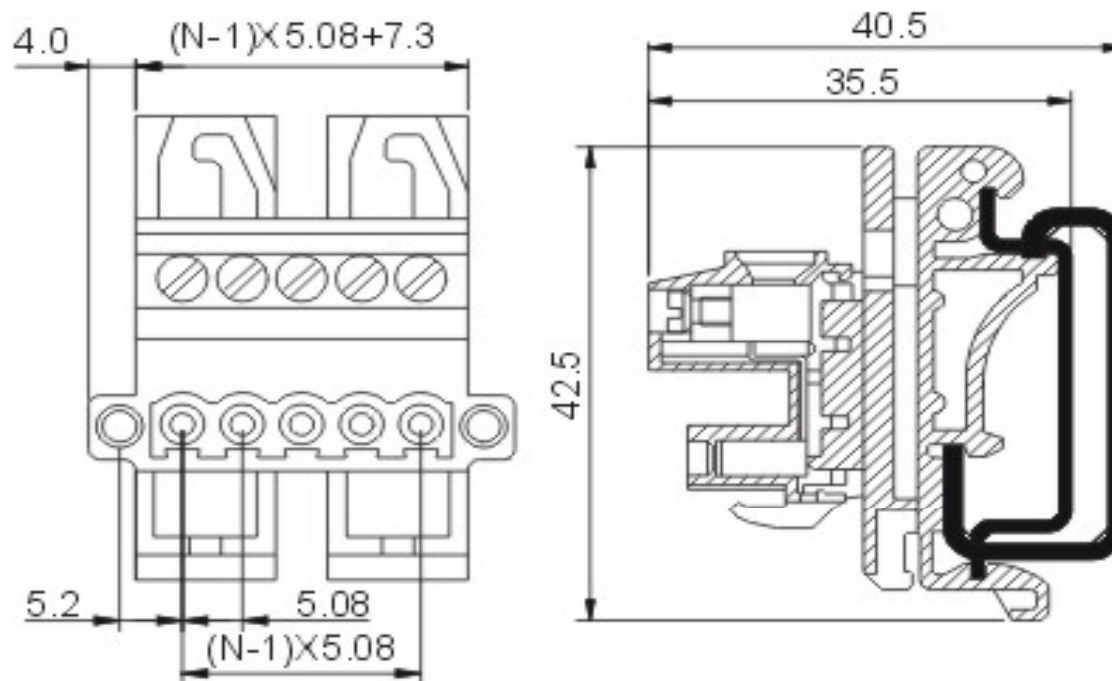
EDCON-COMPONENTS



Technical Discription

Electrical	UL	IEC
Rated Voltage	300Volt	320V
Rated Current	15A	20A
Wire Range:	28~12AWG	2,5mm ²
Withstanding Voltage	AC 2500V/1min	
Insulation Resistance		
Mechanical		
Operating Temperature	. -40°C ~ +105°C	
Screw Torque:	M2,5 0,4Nm (3.5Lb-in.)	
Strip Length:	7mm	
Dimensions		
Pitch (mm)	5,08	
Poles	2 ~ 22 Pos.	
Materials		
Terminal Housing	PA66, UL94V-0	
Contact:	Phosphor Bronze	
Cage:	Brass Ni Plated	
Screw:	steel, Cr ³⁺ Zn plated	

Drawing (Dimension in mm)



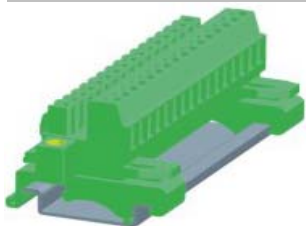
DIN-Rail Pluggable Terminal Block

Part No.: **A14M059**

Customer:

DRW:	Jason	CHKD	Wilson	MATL:	Wilson	TOLERANCE	Mason	DATE	16.03.2017
APPD:	Schumi			FINISH	Jamy		Sheet No.	1 from 3	

EDCON-COMPONENTS



Dimensions (mm)

No. of Pos.	N	Tol. A	N	Tol. B
02	12,38	± 0,15	5,08	± 0,15
03	17,46	± 0,15	10,16	± 0,15
04	22,54	± 0,15	15,24	± 0,15
05	27,62	± 0,15	20,32	± 0,15
06	32,70	± 0,15	25,40	± 0,15
07	37,78	± 0,20	30,48	± 0,20
08	42,86	± 0,20	35,56	± 0,20
09	47,94	± 0,20	40,64	± 0,20
10	53,02	± 0,20	45,72	± 0,20
11	58,10	± 0,20	50,80	± 0,20
12	63,18	± 0,20	55,88	± 0,20
13	68,26	± 0,25	60,96	± 0,25
14	73,34	± 0,25	66,04	± 0,25
15	78,42	± 0,25	71,12	± 0,25
16	83,50	± 0,25	76,20	± 0,25
17	88,58	± 0,25	81,28	± 0,25
18	93,66	± 0,25	86,36	± 0,25
19	98,74	± 0,30	91,44	± 0,30
20	103,82	± 0,30	96,52	± 0,30
21	108,90	± 0,30	101,60	± 0,30
22	113,98	± 0,30	106,68	± 0,30
23	119,06	± 0,30	111,76	± 0,30
24	124,14	± 0,30	116,84	± 0,30

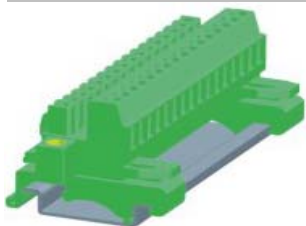
DIN-Rail Pluggable Terminal Block

Part No.: **A14M059**

Customer:

DRW:	Jason	CHKD	Wilson	MATL:	Wilson	TOLERANCE	Mason	DATE	16.03.2017
APPD:	Schumi			FINISH	Jamy		Sheet No.		2 from 3



EDCON-COMPONENTS



Ordering Informations

Serie	No. of Pos.	Body Color	No Function	Approval Code	ROHS	Packing	EDCON Cust. No.	Customer Version		
A14M059	02	PG	A	N	R	B				

Pitch
5,08

02= Number of Pos. Standard 2 ~ 22Pos.	PG= Phoenix Green (Standard) WH= White	A= Slotted Screw Type (Standard) 	N= NON Approval A= UL /UR Approval Please consult EDCON for available	R= ROHS Conform N= NON ROHS Conform	B= Bulk-Ware I= Individual Package	xxxxxx= Customer Number	xxx= Customer Version ??(Printing)
Other Position on Request Please consult EDCON	GN= Green GY= Gray LG= Light Gray OR= Orange BL= Blue BK= Black	B= Cross Slotted Screw Type  C= Screwless Type	B= VDE Approval Please consult EDCON for available C= TÜV Approval Please consult EDCON for available				

DIN-Rail Pluggable Terminal Block

Part No.: **A14M059**

DRW:	Jason	CHKD	Wilson	MATL:	Wilson	TOLERANCE	Mason	DATE	16.03.2017
APPD:	Schumi			FINISH	Jamy			Sheet No.	3 from 3

Customer: