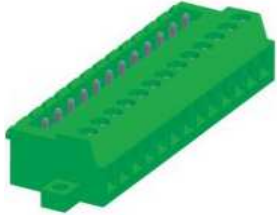
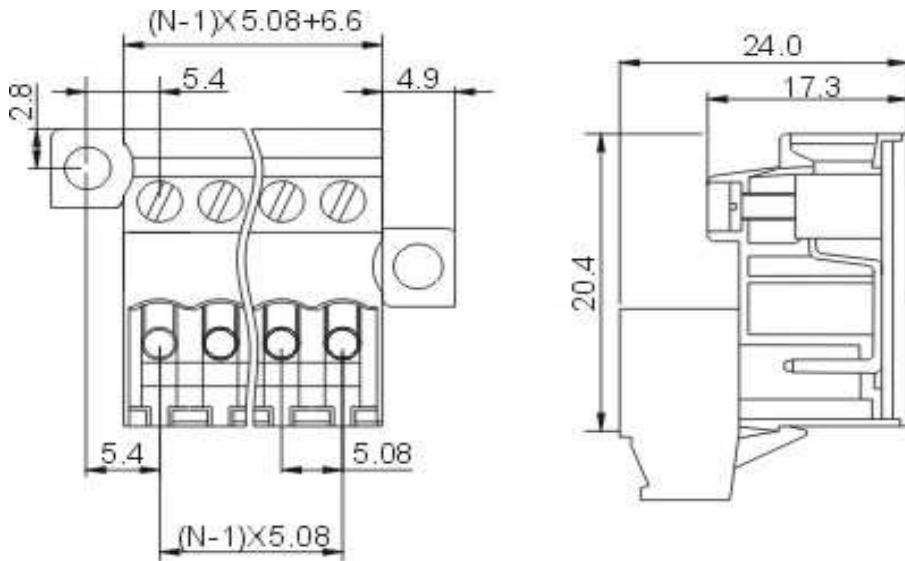


# EDCON-COMPONENTS



## Drawing



## P.C.B. Layout

## Specification

### Electrical

Standard	UL	IEC
Rated voltage	300V	320V
Rated current	15A	20A
Wire range	28-12 AWG	2.5mm <sup>2</sup>
Withstanding voltage	AC 2500V/1min	

### Mechanical

Ambient temperature	-40°C ~ +105°C	
Screw, Torque	M2.5, 0.4Nm (3.5Lb-In.)	
Strip length	7mm	

### Dimensions

Pitch	5.08mm
Poles	2P - 24P

### Material

Housing	PA66 (UL94V-0)
Contact	Copper
Cage	Brass, Ni plated
Screw	steel, Cr <sup>3+</sup> Zn plated



Pluggable Terminal Block /  
Pitch 5.08mm

Part No.: A14M056

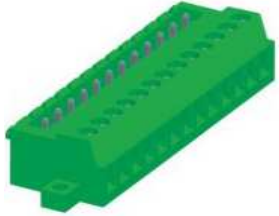
Customer:

DRW:	Bill	CHKD	Lord	MATL:	Jimmy	TOLERANCE	Sam	DATE	14.03.2009
APPD:	Louis			FINISH	Georg		Sheet No.	1 from 3	

[www.edcon-components.com](http://www.edcon-components.com)

email: [info@edcon-components.com](mailto:info@edcon-components.com)

# EDCON-COMPONENTS



## Ordering Informations

Serie	-	No. of Pole	Body-Color	-	Customer Request
A14M056	-	XX	XX	-	X

XX = total	<b>WH</b> - white
02	<b>GN</b> - green
...	<b>GR</b> - gray
24	<b>LG</b> - light gray
	<b>PG</b> - Phoenix Green
	<b>OR</b> - orange
	<b>BL</b> - blue
	<b>BK</b> - black



Pluggable Terminal Block /  
Pitch 5.08mm

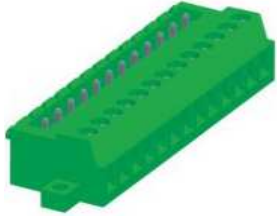
Part No.: A14M056

Customer:

DRW:	Bill	CHKD	Lord	MATL:	Jimmy	TOLERANCE	Sam	DATE	14.03.2009
APPD:	Louis			FINISH	Georg			Sheet No.	2 from 3

[www.edcon-components.com](http://www.edcon-components.com)

email: [info@edcon-components.com](mailto:info@edcon-components.com)



## Soldering - Profil

Classification Reflow Profile (JEDEC J-STD-020C)



Pluggable Terminal Block /  
Pitch 5.08mm

Part No.: A14M056

DRW:	Bill	CHKD	Lord	MATL:	Jimmy	TOLERANCE	Sam	DATE	14.03.2009
APPD:	Louis			FINISH	Georg		Sheet No.	3 from 3	

Customer: