

Data Sheet

Pluggable Terminal Block (Header) Straight w. Flange

Pitch: 5,08 mm

Serie: A14M053

Customer Information for special Item

EDCON Customer : 0

Customer Version No. : 0

EDCON-COMPONENTS



Technical Discription

Electrical	UL	IEC
Rated Voltage	300V	250V
Rated Current	8A	7A

Withstanding Voltage AC 2000V/1min.
 Insulation Resistance

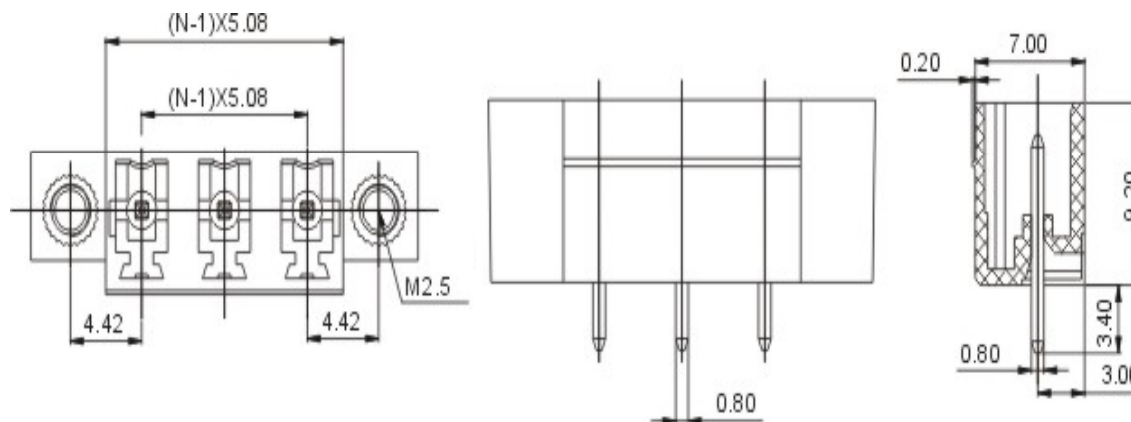
Mechanical
 Operating Temperature . -40°C ~ +105°C

Dimensions
 Pitch (mm) 5,08
 Poles 2 ~ 12 Pos.

Materials
 Housing: PA66 (UL94V-0)

Pin Header Brass Tin Plated
 Nut M2,5 Brass

Drawing (Dimension in mm)



**Pluggable Terminal Block
 (Header) Straight w. Flange**

Part No.: **A14M053**

DRW:	Jason	CHKD	Wilson	MATL:	Wilson	TOLERANCE	Mason	DATE	20.10.2016
APPD:	Schumi			FINISH	Jamy		Sheet No.		1 from 4

Customer:
 email: info@edcon-components.com

EDCON-COMPONENTS



Ordering Informations

Serie	No. of Pos.	Body Color	No Function	Approval Code	ROHS	Packing	EDCON Cust. No.	Customer Version		
-------	-------------	------------	-------------	---------------	------	---------	-----------------	------------------	--	--

A14M053	02	PG	N	N	R	B				
----------------	-----------	-----------	----------	----------	----------	----------	--	--	--	--

Pitch 5,08	02 = Number of Pos.	PG = Phoenix Green (Standard)	N = No function	N = NON Approval	R = ROHS Conform	B = Bulk-Ware	xxxxxx = Customer Number	xxx = Customer Version ??(Printing)
---------------	----------------------------	--------------------------------------	------------------------	-------------------------	-------------------------	----------------------	---------------------------------	--

Standard 2 +3 Pos.	WH = White	A = UL /UR Approval Please consult EDCON for available B = VDE Approval Please consult EDCON for available C = TÜV Approval Please consult EDCON for available	N = NON ROHS Conform I = Individual Package
Other Position on Request Please consult EDCON	GN = Green		
	GY = Gray		
	LG = Light Gray		
	OR = Orange		
	BL = Blue		
BK = Black			

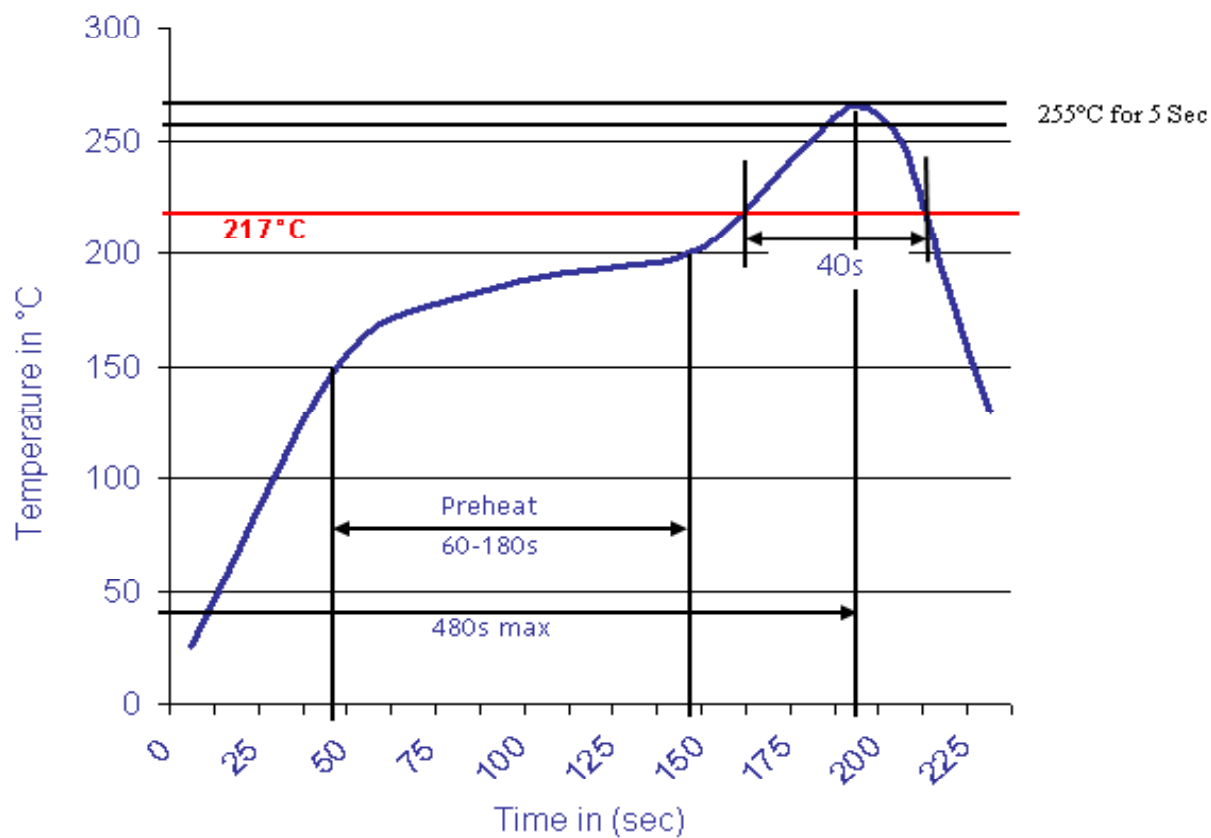
Pluggable Terminal Block (Header) Straight w. Flange	
Part No.:	A14M053
Customer:	

DRW:	Jason	CHKD	Wilson	MATL:	Wilson	TOLERANCE	Mason	DATE	20.10.2016
APPD:	Schumi			FINISH	Jamy		Sheet No.		3 from 4



Soldering Profile Curve

Classification Reflow Profile (JEDEC J-STD-020C)



Pluggable Terminal Block (Header) Straight w. Flange	
Part No.:	A14M053
Customer:	

DRW:	Jason	CHKD	Wilson	MATL:	Wilson	TOLERANCE	Mason	DATE	20.10.2016
APPD:	Schumi			FINISH	Jamy		Sheet No.	4 from 4	