

Data Sheet

Pluggable Terminal Block (Header) R/A w. Flange

Pitch: 5,08 mm

Serie: A14M051

Customer Information for special Item

EDCON Customer : 0

Customer Version No. : 0

EDCON-COMPONENTS



Technical Discription

Electrical	UL	IEC
Rated Voltage	300V	250V
Rated Current	8A	7A

Withstanding Voltage AC 2000V/1min.

Insulation Resistance

Mechanical

Operating Temperature . -40°C ~ +105°C

Dimensions

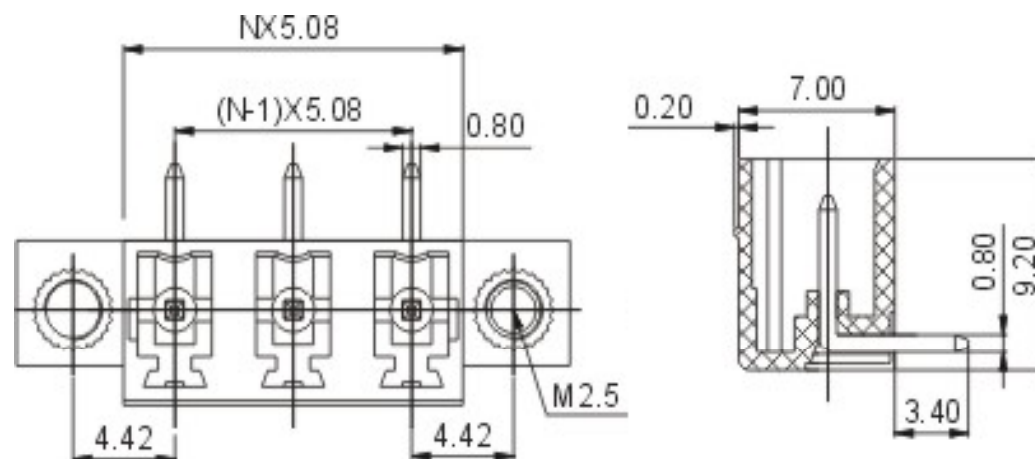
Pitch (mm) 5,08
Poles 2 ~ 12 Pos.

Materials

Housing: PA66 (UL94V-0)

Pin Header Brass Tin Plated
Nut M2,5 Brass

Drawing (Dimension in mm)



**Pluggable Terminal Block
(Header) R/A w. Flange**

Part No.: **A14M051**

DRW:	Jason	CHKD	Wilson	MATL:	Wilson	TOLERANCE	Mason	DATE	20.10.2016	Customer:
APPD:	Schumi			FINISH	Jamy		Sheet No.	1 from 4		

www.edcon-components.com

email: info@edcon-components.com

EDCON-COMPONENTS



Ordering Informations

Serie	No. of Pos.	Body Color	No Function	Approval Code	ROHS	Packing	EDCON Cust. No.	Customer Version		
-------	-------------	------------	-------------	---------------	------	---------	-----------------	------------------	--	--

A14M051	02	PG	N	N	R	B				
----------------	-----------	-----------	----------	----------	----------	----------	--	--	--	--

Pitch 5,08	02= Number of Pos.	PG= Phoenix Green (Standard)	N= No function	N= NON Approval	R= ROHS Conform	B= Bulk-Ware	xxxxxx= Customer Number	xxx= Customer Version ??(Printing)
---------------	---------------------------	-------------------------------------	-----------------------	------------------------	------------------------	---------------------	--------------------------------	---

Standard 2 +3 Pos.	WH= White	A= UL /UR Approval Please consult EDCON for available B= VDE Approval Please consult EDCON for available C= TÜV Approval Please consult EDCON for available	N= NON ROHS Conform I= Individual Package
Other Position on Request Please consult EDCON	GN= Green		
	GY= Gray		
	LG= Light Gray		
	OR= Orange		
	BL= Blue		
BK= Black			

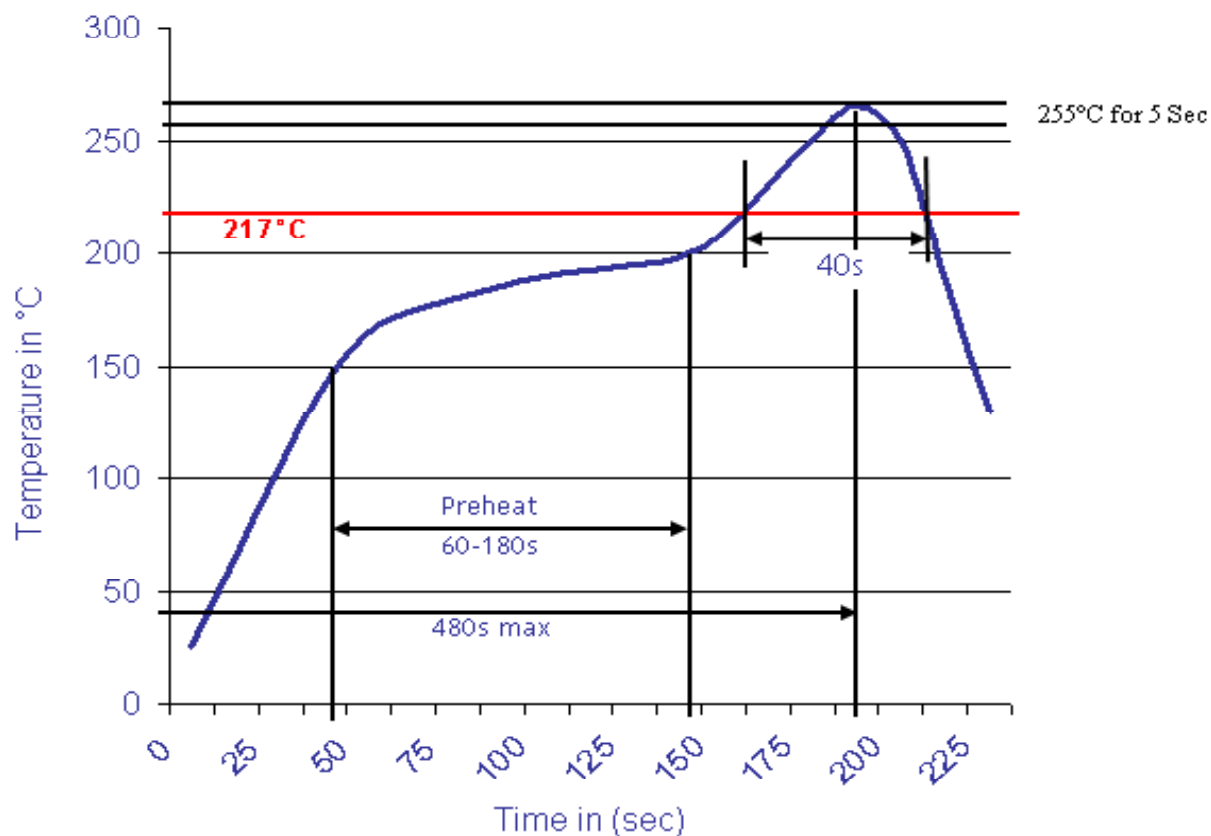
Pluggable Terminal Block (Header) R/A w. Flange	
Part No.:	A14M051
Customer:	

DRW:	Jason	CHKD	Wilson	MATL:	Wilson	TOLERANCE	Mason	DATE	20.10.2016
APPD:	Schumi			FINISH	Jamy			Sheet No.	3 from 4



Soldering Profile Curve

Classification Reflow Profile (JEDEC J-STD-020C)



Pluggable Terminal Block (Header) R/A w. Flange	
Part No.:	A14M051
Customer:	

DRW:	Jason	CHKD	Wilson	MATL:	Wilson	TOLERANCE	Mason	DATE	20.10.2016
APPD:	Schumi			FINISH	Jamy		Sheet No.	4 from 4	