

Data Sheet

Pluggable Terminal Block (Header) R/A

Pitch: 5,08 mm

Serie: A14M050

Customer Information for special Item

EDCON Customer : 0

Customer Version No. : 0

EDCON-COMPONENTS



Technical Discription

Electrical	UL	IEC
Rated Voltage	300V	250V
Rated Current	8A	7A

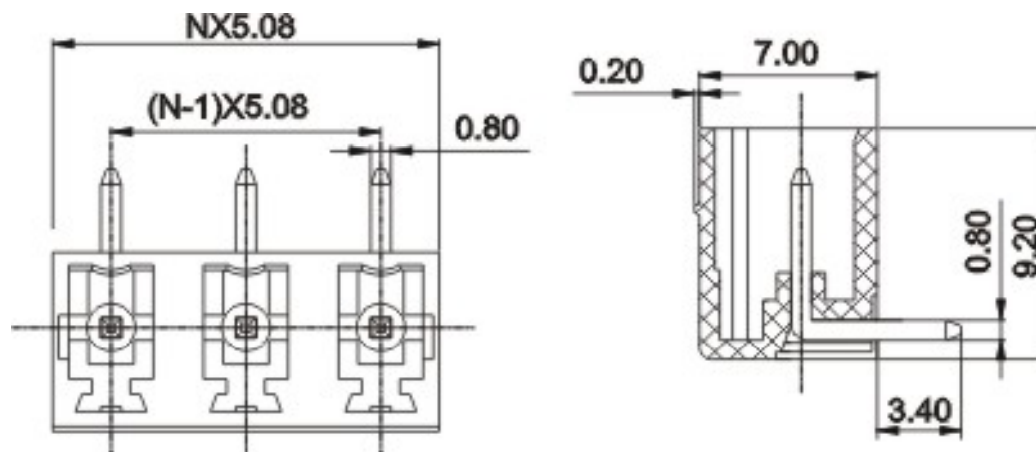
Withstanding Voltage	AC 2000V/1min.
Insulation Resistance	
Mechanical	
Operating Temperature	. -40°C ~ +105°C

Dimensions	
Pitch (mm)	5,08
Poles	2 ~ 12 Pos.

Materials	
Housing:	PA66 (UL94V-0)

Pin Header	Brass Tin Plated
Nut	M2,5 Brass

Drawing (Dimension in mm)



Pluggable Terminal Block (Header) R/A

Part No.: **A14M050**

Customer:

DRW:	Jason	CHKD	Wilson	MATL:	Wilson	TOLERANCE	Mason	DATE	20.10.2016
APPD:	Schumi			FINISH	Jamy		Sheet No.		1 from 4

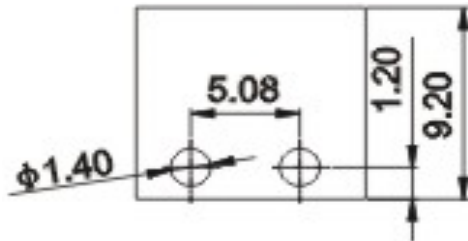
www.edcon-components.com

email: info@edcon-components.com

EDCON-COMPONENTS



PCB Layout



Dimensions (mm)

No. of Pos.	A	Tol. A	B	Tol. B	
02	10,16	± 0,15	5,08	± 0,15	
03	15,24	± 0,15	10,16	± 0,15	
04	20,32	± 0,15	15,24	± 0,15	
05	25,40	± 0,15	20,32	± 0,15	
06	30,48	± 0,15	25,40	± 0,15	
07	35,56	± 0,20	30,48	± 0,20	
08	40,64	± 0,20	35,56	± 0,20	
09	45,72	± 0,20	40,64	± 0,20	
10	50,80	± 0,20	45,72	± 0,20	
11	55,88	± 0,20	50,80	± 0,20	
12	60,96	± 0,20	55,88	± 0,20	

**Pluggable Terminal Block
(Header) R/A**

Part No.: **A14M050**

DRW:	Jason	CHKD	Wilson	MATL:	Wilson	TOLERANCE	Mason	DATE	20.10.2016
APPD:	Schumi			FINISH	Jamy		Sheet No.		2 from 4

Customer:

EDCON-COMPONENTS



Ordering Informations

Serie	No. of Pos.	Body Color	No Function	Approval Code	ROHS	Packing	EDCON Cust. No.	Customer Version		
-------	-------------	------------	-------------	---------------	------	---------	-----------------	------------------	--	--

A14M050	02	PG	N	N	R	B				
----------------	-----------	-----------	----------	----------	----------	----------	--	--	--	--

Pitch 5,08	02 = Number of Pos.	PG = Phoenix Green (Standard)	N = No function	N = NON Approval	R = ROHS Conform	B = Bulk-Ware	xxxxxx = Customer Number	xxx = Customer Version ??(Printing)
---------------	----------------------------	--------------------------------------	------------------------	-------------------------	-------------------------	----------------------	---------------------------------	--

Standard 2 +3 Pos.	WH = White	A = UL /UR Approval Please consult EDCON for available B = VDE Approval Please consult EDCON for available C = TÜV Approval Please consult EDCON for available	N = NON ROHS Conform I = Individual Package
Other Position on Request Please consult EDCON	GN = Green		
	GY = Gray		
	LG = Light Gray		
	OR = Orange		
	BL = Blue		
BK = Black			

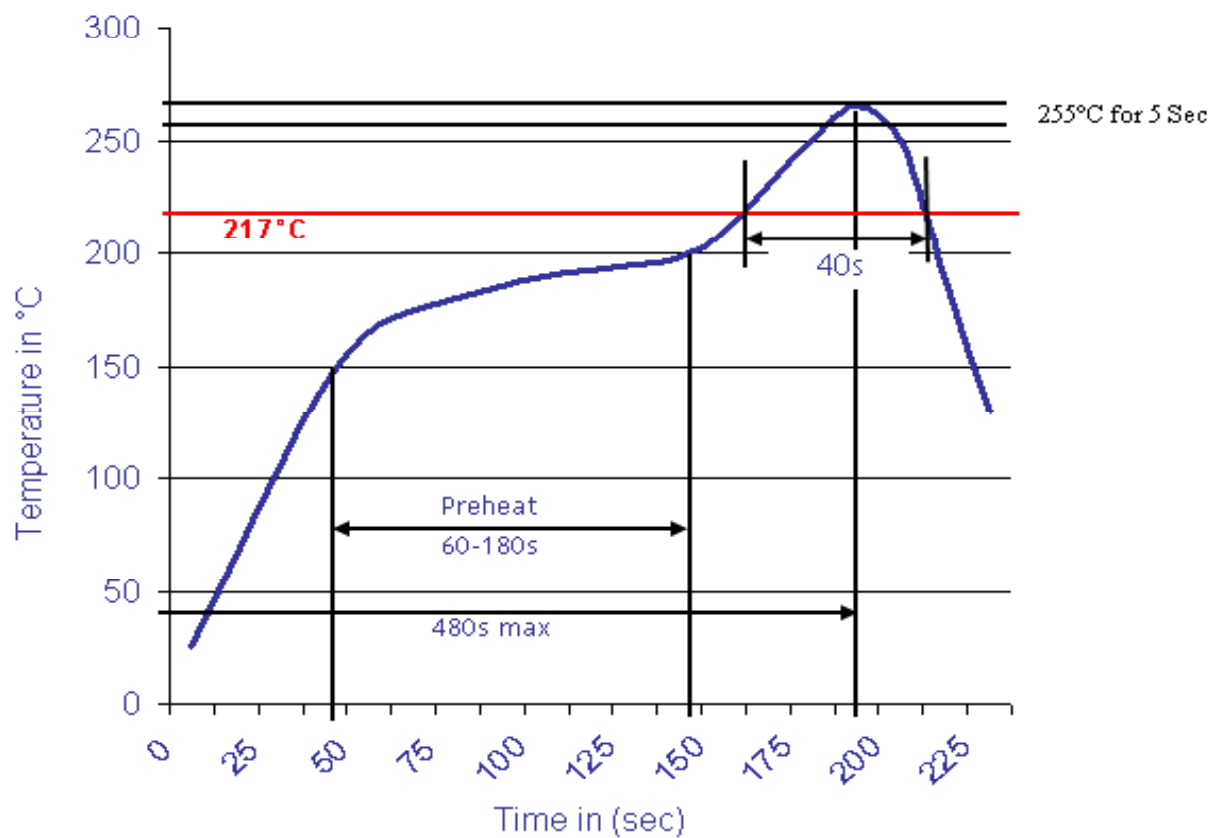
Pluggable Terminal Block (Header) R/A	
Part No.:	A14M050
Customer:	

DRW:	Jason	CHKD	Wilson	MATL:	Wilson	TOLERANCE	Mason	DATE	20.10.2016
APPD:	Schumi			FINISH	Jamy			Sheet No.	3 from 4



Soldering Profile Curve

Classification Reflow Profile (JEDEC J-STD-020C)



**Pluggable Terminal Block
(Header) R/A**

Part No.: **A14M050**

Customer:

DRW:	Jason	CHKD	Wilson	MATL:	Wilson	TOLERANCE	Mason	DATE	20.10.2016
APPD:	Schumi			FINISH	Jamy		Sheet No.	4 from 4	