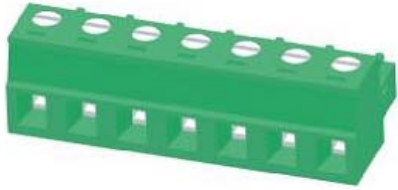
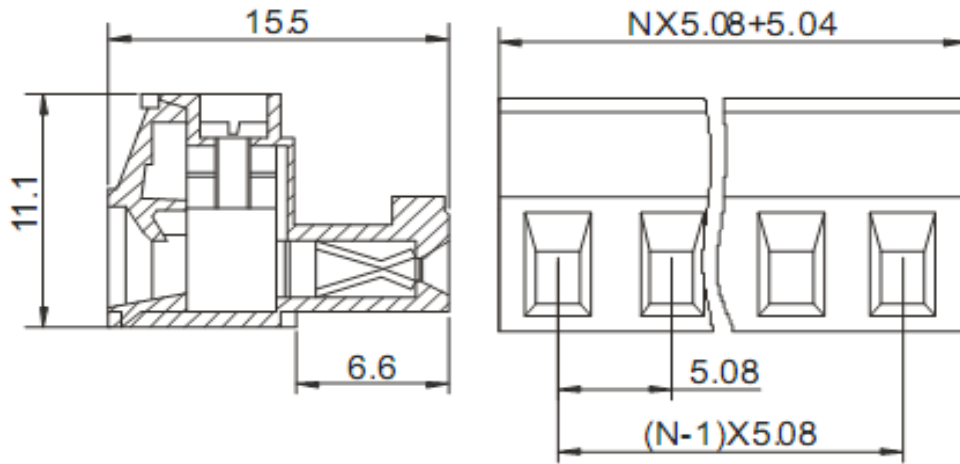


EDCON-COMPONENTS



Drawing



P.C.B. Layout

Specification

Electrical

| | | |
|----------------------|---------------|--------------------------|
| Standard | UL | IEC |
| Rated voltage | 300V | 250V |
| Rated current | 8A | 7A |
| Wire range | 28-16 AWG | 0.5 - 1.5mm ² |
| Withstanding voltage | AC 2000V/1min | |

Mechanical

| | |
|---------------------|-----------------------|
| Ambient temperature | -40°C ~ +105°C |
| Strip length | 7mm |
| Screw, Torque | M2, 0.2Nm (1.7Lb-In.) |

Dimensions

| | |
|-------|----------|
| Pitch | 5.08mm |
| Poles | 2P - 12P |

Material

| | |
|----------------|-----------------------------------|
| Housing | PA66 (UL94V-0) |
| Contact | Phosphor Bronze |
| Cage | Brass, Ni plated |
| Terminal screw | steel, Cr ³⁺ Zn plated |



Pluggable Terminal Block /
Pitch 5.08mm

Part No.: A14M048

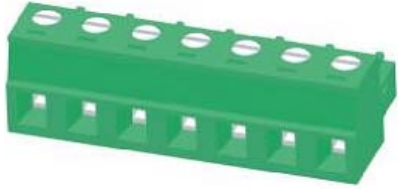
Customer:

| | | | | | | | | | |
|-------|-------|------|------|--------|-------|-----------|-----|-----------|-----------|
| DRW: | Bill | CHKD | Lord | MATL: | Jimmy | TOLERANCE | Sam | DATE | 14.3.2009 |
| APPD: | Louis | | | FINISH | Georg | | | Sheet No. | 1 from 3 |

www.edcon-components.com

email: info@edcon-components.com

EDCON-COMPONENTS



Ordering Informations

| Serie | - | No. of Pole | Body-Color | - | Customer Request |
|----------------|---|-------------|------------|---|------------------|
| A14M048 | - | XX | XX | - | X |

| | |
|------------|---------------------------|
| XX = total | WH - white |
| 02 | GN - green |
| ... | GR - gray |
| 12 | LG - light gray |
| | PG - Phoenix Green |
| | OR - orange |
| | BL - blue |
| | BK - black |



Pluggable Terminal Block /
Pitch 5.08mm

Part No.: A14M048

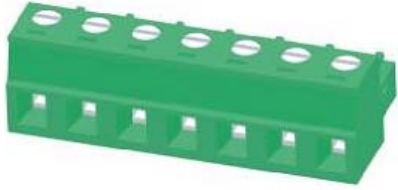
Customer:

| | | | | | | | | | |
|-------|-------|------|------|--------|-------|-----------|-----|-----------|-----------|
| DRW: | Bill | CHKD | Lord | MATL: | Jimmy | TOLERANCE | Sam | DATE | 14.3.2009 |
| APPD: | Louis | | | FINISH | Georg | | | Sheet No. | 2 from 3 |

www.edcon-components.com

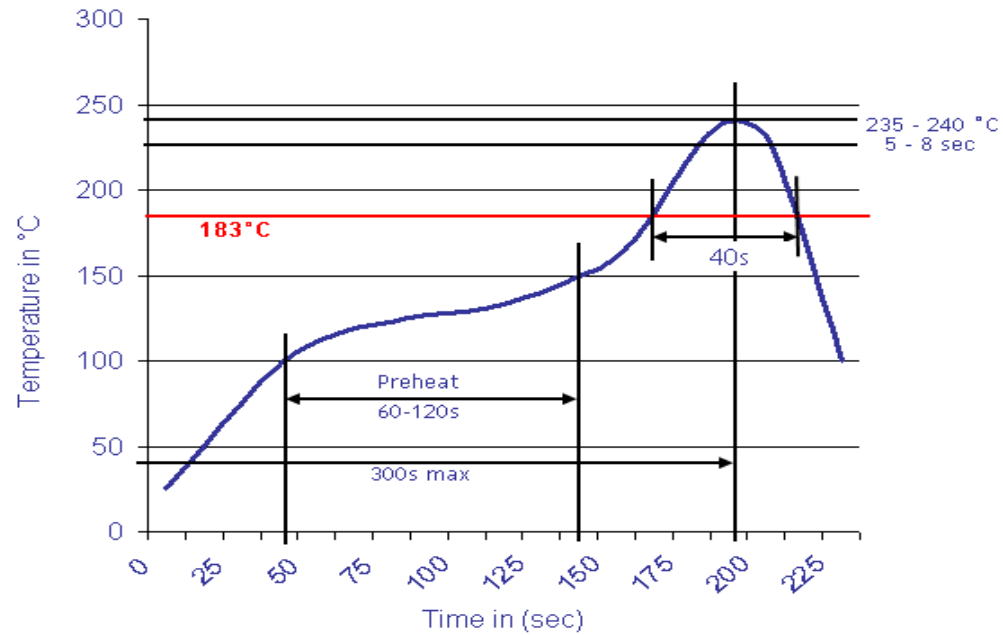
email: info@edcon-components.com

EDCON-COMPONENTS



Soldering - Profil

Classification Reflow Profile (JEDEC J-STD-020C)



Pluggable Terminal Block /
Pitch 5.08mm

Part No.: A14M048

Customer:

| | | | | | | | | | |
|-------|-------|------|------|--------|-------|-----------|-----------|----------|-----------|
| DRW: | Bill | CHKD | Lord | MATL: | Jimmy | TOLERANCE | Sam | DATE | 14.3.2009 |
| APPD: | Louis | | | FINISH | Georg | | Sheet No. | 3 from 3 | |

www.edcon-components.com

email: info@edcon-components.com