

Data Sheet

180° Wafer w mounting Flange (PRESSFIT)

Pitch: 5,08 mm

Serie: A14M045

Customer Information for special Item

EDCON Customer : 0

Customer Version No. : 0

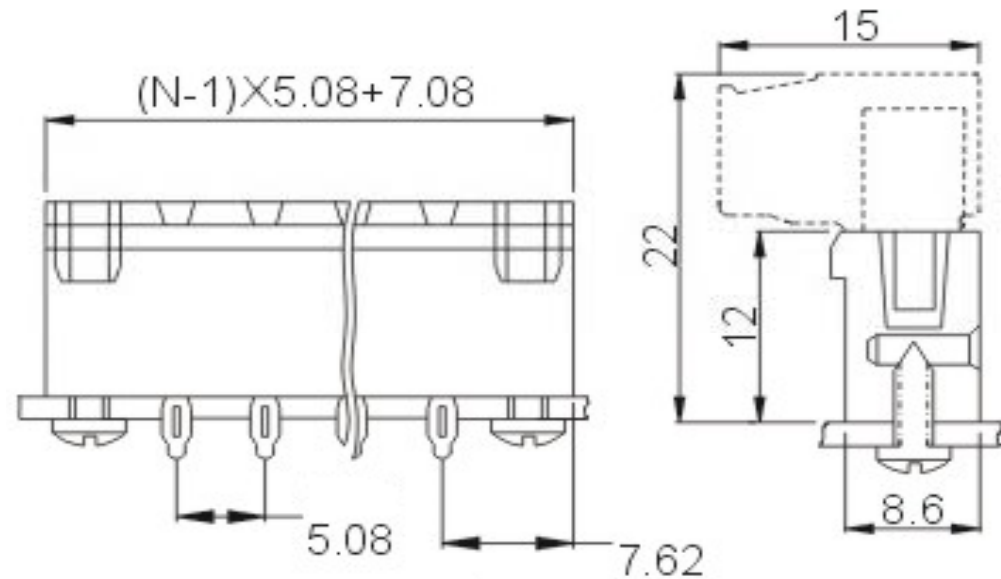
EDCON-COMPONENTS



Technical Discription

Electrical	UL	IEC
Rated Voltage	300Volt	320Volt
Rated Current	15A	20A
Mechanical		
Withstanding Voltage	AC 2500V/1min.	
Insulation Resistance		
Operating Temperature	. -40°C ~ +115°C	
Dimensions		
Pitch (mm)	5,08	
Poles	2 ~ 22 Pos.	
Materials		
Terminal Housing	PA66 Thermoplastic, UL94V-0	
Pin Header	Brass Tin Plated	

Drawing (Dimension in mm)



**180° Wafer w mounting
Flange (PRESSFIT)**

Part No.: **A14M045**

DRW:	Jason	CHKD	Wilson	MATL:	Wilson	TOLERANCE	Mason	DATE	28.05.2018
APPD:	Schumi			FINISH	Jamy		Sheet No.		1 from 4

Customer:

www.edcon-components.com

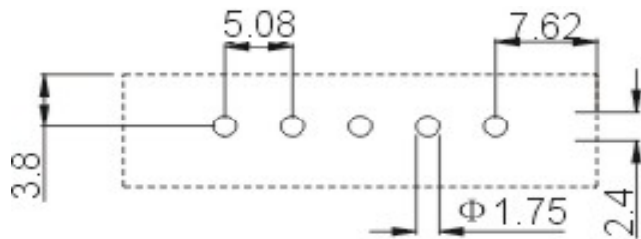
email: info@edcon-components.com

EDCON-COMPONENTS



PCB Layout

Dimensions (mm)



No. of Pos.	A	Tol. A	B	Tol. B
02	17,24	± 0,15	20,32	± 0,15
03	22,32	± 0,15	25,40	± 0,15
04	27,40	± 0,15	30,48	± 0,15
05	32,48	± 0,15	35,56	± 0,15
06	37,56	± 0,15	40,64	± 0,15
07	42,64	± 0,20	45,72	± 0,20
08	47,72	± 0,20	50,80	± 0,20
09	52,80	± 0,20	55,88	± 0,20
10	57,88	± 0,20	60,96	± 0,20
11	62,96	± 0,20	66,04	± 0,20
12	68,04	± 0,20	71,12	± 0,20
13	73,12	± 0,25	76,20	± 0,25
14	78,20	± 0,25	81,28	± 0,25
15	83,28	± 0,25	86,36	± 0,25
16	88,36	± 0,25	91,44	± 0,25
17	93,44	± 0,25	96,52	± 0,25
18	98,52	± 0,25	101,60	± 0,25
19	103,60	± 0,30	106,68	± 0,30
20	108,68	± 0,30	111,76	± 0,30
21	113,76	± 0,30	116,84	± 0,30
22	118,84	± 0,30	121,92	± 0,30
23	123,92	± 0,30	127,00	± 0,30
24	129,00	± 0,30	132,08	± 0,30

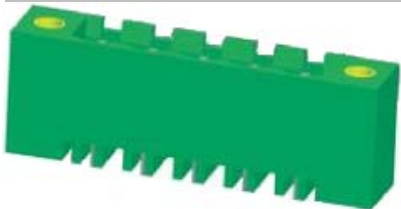
**180° Wafer w mounting
Flange (PRESSFIT)**

Part No.: **A14M045**

Customer:

DRW:	Jason	CHKD	Wilson	MATL:	Wilson	TOLERANCE	Mason	DATE	28.05.2018
APPD:	Schumi			FINISH	Jamy		Sheet No.		2 from 4

EDCON-COMPONENTS



Ordering Informations

Serie	No. of Pos.	Body Color	No Function	Approval Code	ROHS	Packing	EDCON Cust. No.	Customer Version		
-------	-------------	------------	-------------	---------------	------	---------	-----------------	------------------	--	--

A14M045	XX	PG	N	N	R	B				
----------------	-----------	-----------	----------	----------	----------	----------	--	--	--	--

Pitch 5,08	Standard 2 ~ 22Pos.	PG= Phoenix Green (Standard)	N= No function	N= NON Approval	R= ROHS Conform	B= Bulk-Ware	xxxxxx= Customer Number	xxx= Customer Version ??(Printing)
		WH= White		A= UL /UR Approval Please consult EDCON for available	N= NON ROHS Conform			
		GN= Green		B= VDE Approval Please consult EDCON for available	C= TÜV Approval Please consult EDCON for available			
		GY= Gray						
		LG= Light Gray						
		OR= Orange						
		BL= Blue						
		BK= Black						

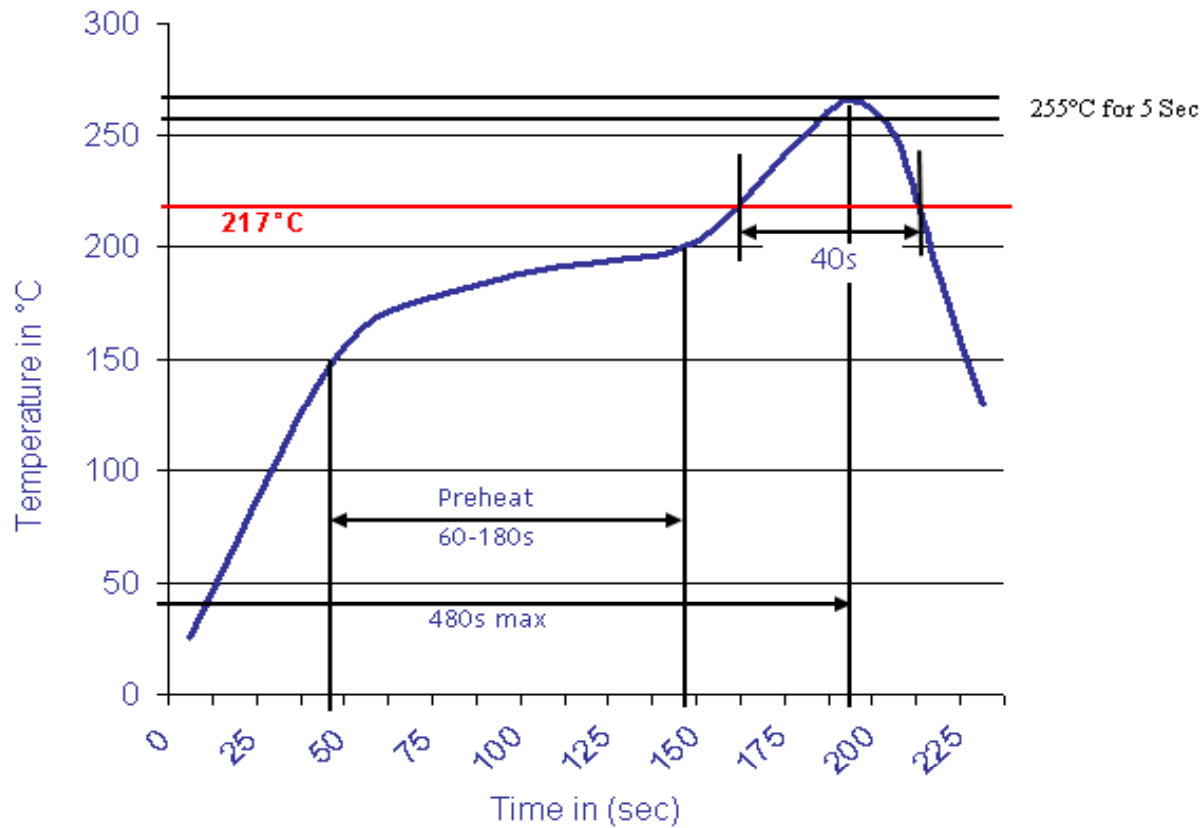
180° Wafer w mounting Flange (PRESSFIT)
Part No.: A14M045
Customer:

DRW:	Jason	CHKD	Wilson	MATL:	Wilson	TOLERANCE	Mason	DATE	28.05.2018
APPD:	Schumi			FINISH	Jamy		Sheet No.		3 from 4



Soldering Profile Curve

Classification Reflow Profile (JEDEC J-STD-020C)



180° Wafer w mounting Flange (PRESSFIT)	
Part No.:	A14M045
Customer:	

DRW:	Jason	CHKD	Wilson	MATL:	Wilson	TOLERANCE	Mason	DATE	28.05.2018
APPD:	Schumi			FINISH	Jamy		Sheet No.	4 from 4	