

# Data Sheet

## Pluggable Terminal Block

**Pitch: 5,08 mm**

**Serie: A14M033**

### Customer Information for special Item

**EDCON Customer : 0**

**Customer Version No. : 0**

# EDCON-COMPONENTS



## Technical Discription

## Drawing (Dimension in mm)

### Electrical

Standard	UL	IEC
Rated voltage	300V	320V, 400V
Rated current	15A	10A
Wire range	28-12 AWG	2.5mm <sup>2</sup>
Withstanding voltage	AC 2500V/1min	

### Mechanical

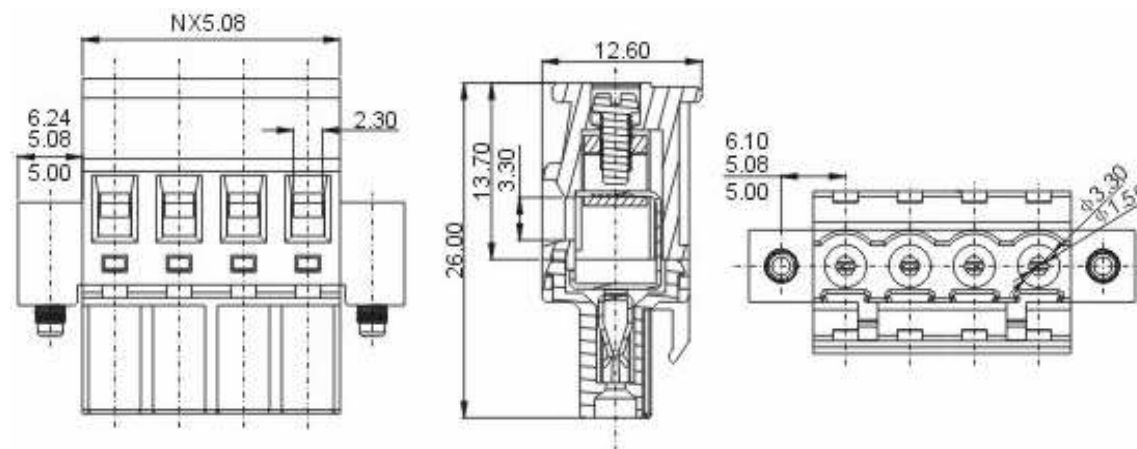
Ambient temperature	-40°C ~ +105°C
Strip length	7mm
Screw, Torque	M2.5, 0.4Nm (3.5Lb-In.)

### Dimensions

Pitch	5.08mm
Poles	2P - 22P   2P - 12P

### Material

Housing	PA66 (UL94V-0)
Contact	Phosphor Bronze
Cage	Brass, Ni plated
Terminal screw	steel, Cr <sup>3+</sup> Zn plated



### Pluggable Terminal Block

Part No.: **A14M033**

DRW:	Jason	CHKD	Wilson	MATL:	Wilson	TOLERANCE	Mason	DATE	26.05.2014
APPD:	Schumi			FINISH	Jamy		Sheet No.		1 from 4

Customer:

# EDCON-COMPONENTS



PCB Layout (Dimension in mm)

Dimensions (mm)

No. of Pos.	A	Tol. P
02	15,24	± 0,35
03	20,32	± 0,35
04	25,40	± 0,35
05	30,48	± 0,35
06	35,56	± 0,35
07	40,64	± 0,35
08	45,72	± 0,35
09	50,80	± 0,35
10	55,88	± 0,35
11	60,96	± 0,35
12	66,04	± 0,35
13	71,12	± 0,35
14	76,20	± 0,35
15	81,28	± 0,35
16	86,36	± 0,35
17	91,44	± 0,35
18	96,52	± 0,35
19	101,60	± 0,35
20	106,68	± 0,35
21	111,76	± 0,35
22	116,84	± 0,35

**Pluggable Terminal Block**

Part No.: **A14M033**

DRW:	Jason	CHKD	Wilson	MATL:	Wilson	TOLERANCE	Mason	DATE	26.05.2014	Customer:
APPD:	Schumi			FINISH	Jamy		Sheet No.	2 from 4		

# EDCON-COMPONENTS



## Ordering Informations

Serie	No. of Pos.	Body Color	Approval	Approval Code	ROHS	Packing	EDCON Cust. No.	Customer Version		
-------	-------------	------------	----------	---------------	------	---------	-----------------	------------------	--	--

<b>A14M033</b>	<b>02</b>	<b>GN</b>	<b>N</b>	<b>N</b>	<b>R</b>	<b>B</b>				
----------------	-----------	-----------	----------	----------	----------	----------	--	--	--	--

Pitch 5,08	02= Number of Pos. Standard 2 ~ 22Pos.	GY= Gray (Standard) GN= Green OR= Orange BK= Black	N= No Approval 1= Approval for Material 2= Approval for Terminal Block	N= NON Approval A= UL /UR Approval Please consult EDCON for available B= VDE Approval Please consult EDCON for available C= TÜV Approval Please consult EDCON for available	R= ROHS Conform N= NON ROHS Conform	B= Standard Package I= Individual Package	xxxxxx= Customer Number	xxx= Customer Version ??(Printing)
---------------	---	---	--	--	--	--	-------------------------	------------------------------------

<b>Pluggable Terminal Block</b>	
Part No.:	<b>A14M033</b>
Customer:	

DRW:	Jason	CHKD	Wilson	MATL:	Wilson	TOLERANCE	Mason	DATE	26.05.2014
APPD:	Schumi			FINISH	Jamy		Sheet No.		3 from 4



Soldering Profile Curve

Classification Reflow Profile (JEDEC J-STD-020C)



**Pluggable Terminal Block**

Part No.: **A14M033**

Customer:

DRW:	Jason	CHKD	Wilson	MATL:	Wilson	TOLERANCE	Mason	DATE	26.05.2014
APPD:	Schumi			FINISH	Jamy		Sheet No.	4 from 4	