

Data Sheet

Pluggable Terminal Block

Pitch: 5,08 mm

Serie: A14M031

Customer Information for special Item

EDCON Customer : 0

Customer Version No. : 0

EDCON-COMPONENTS



Technical Discription

Drawing (Dimension in mm)

Electrical

Standard	UL	IEC
Rated voltage	300V	320V, 400V
Rated current	15A	20A
Withstanding voltage	AC 2500V/1min	

Mechanical

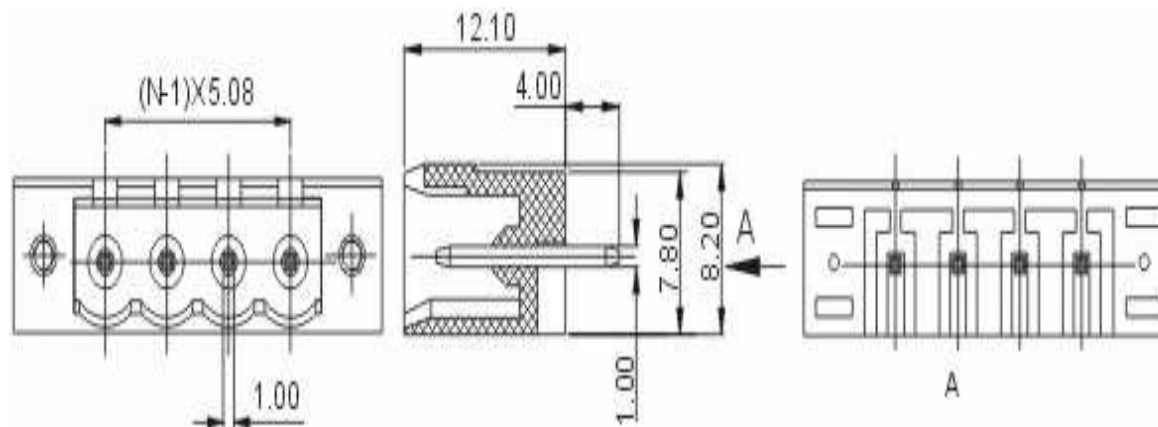
Ambient temperature	-40°C ~ +105°C
---------------------	----------------

Dimensions

Pitch	5.08mm
Poles	2P - 22P 2P - 12P

Material

Housing	PA66 (UL94V-0)
Pin header	Brass, Tin plated
Nut	M2.5, Brass



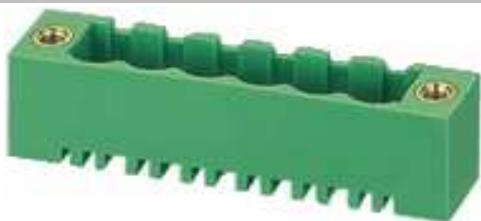
Pluggable Terminal Block

Part No.: **A14M031**

Customer:

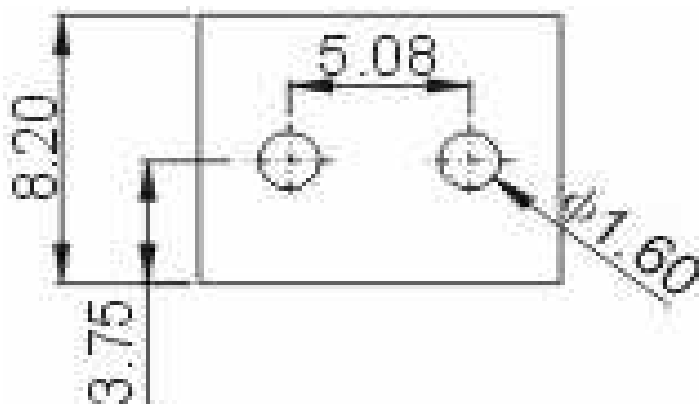
DRW:	Jason	CHKD	Wilson	MATL:	Wilson	TOLERANCE	Mason	DATE	26.05.2014
APPD:	Schumi			FINISH	Jamy		Sheet No.		1 from 4

EDCON-COMPONENTS



PCB Layout (Dimension in mm)

Dimensions (mm)



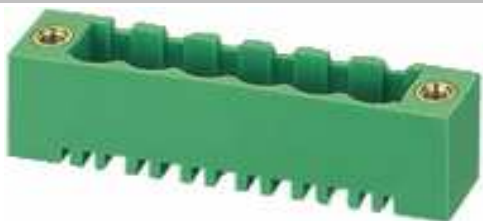
No. of Pos.	A	Tol. P
02	15,24	± 0,35
03	20,32	± 0,35
04	25,40	± 0,35
05	30,48	± 0,35
06	35,56	± 0,35
07	40,64	± 0,35
08	45,72	± 0,35
09	50,80	± 0,35
10	55,88	± 0,35
11	60,96	± 0,35
12	66,04	± 0,35
13	71,12	± 0,35
14	76,20	± 0,35
15	81,28	± 0,35
16	86,36	± 0,35
17	91,44	± 0,35
18	96,52	± 0,35
19	101,60	± 0,35
20	106,68	± 0,35
21	111,76	± 0,35
22	116,84	± 0,35

Pluggable Terminal Block

Part No.: **A14M031**

DRW:	Jason	CHKD	Wilson	MATL:	Wilson	TOLERANCE	Mason	DATE	26.05.2014	Customer:
APPD:	Schumi			FINISH	Jamy		Sheet No.	2 from 4		

EDCON-COMPONENTS



Ordering Informations

Serie	No. of Pos.	Body Color	Approval	Approval Code	ROHS	Packing	EDCON Cust. No.	Customer Version		
-------	-------------	------------	----------	---------------	------	---------	-----------------	------------------	--	--

A14M031	02	GN	N	N	R	B				
----------------	-----------	-----------	----------	----------	----------	----------	--	--	--	--

Pitch: 5,08	02 = Number of Pos. Standard 2 ~ 24Pos.	GY = Gray (Standard) GN = Green OR = Orange BK = Black	N = No Approval 1 = Approval for Material 2 = Approval for Terminal Block	N = NON Approval A = UL /UR Approval Please consult EDCON for available B = VDE Approval Please consult EDCON for available C = TÜV Approval Please consult EDCON for available	R = ROHS Conform N = NON ROHS Conform	B = Standard Package I = Individual Package	xxxxxx = Customer Number	xxx = Customer Version ??(Printing)		
----------------	---	---	--	--	--	--	---------------------------------	--	--	--

Pluggable Terminal Block

Part No.: **A14M031**

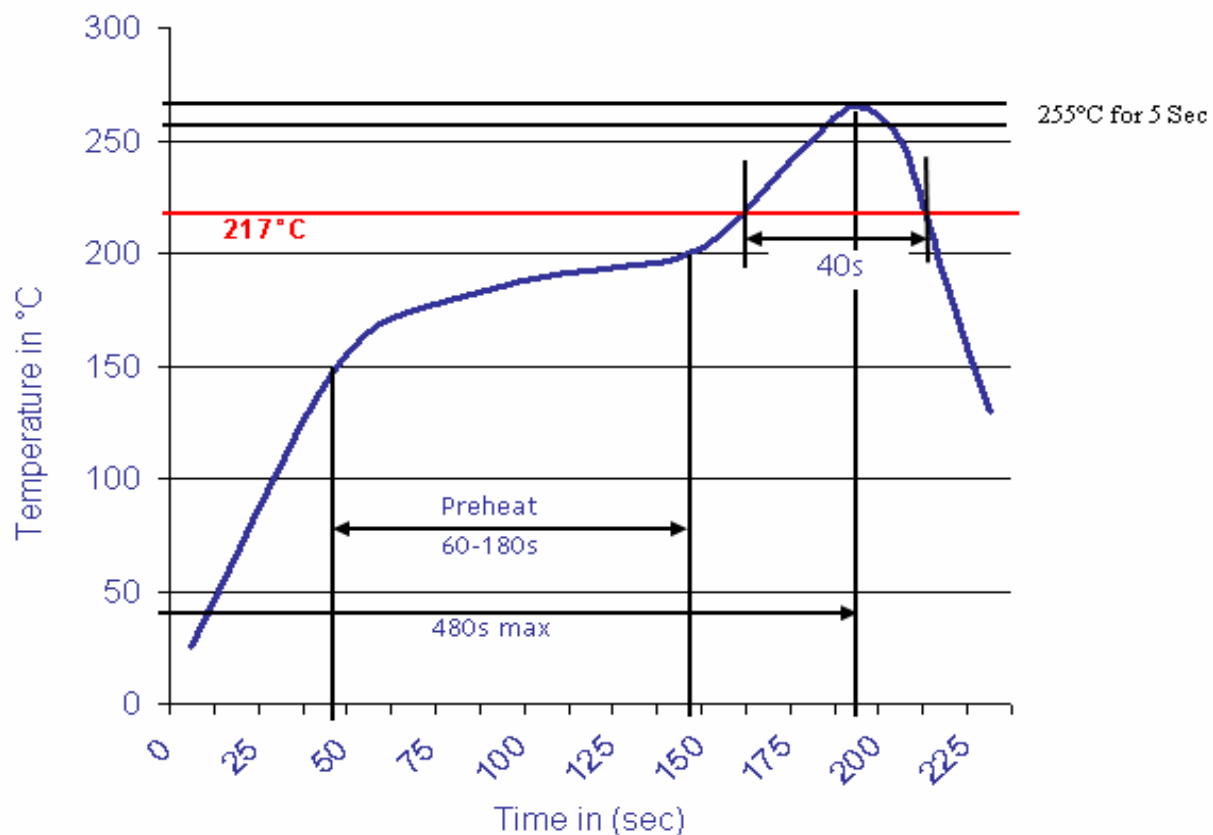
DRW:	Jason	CHKD	Wilson	MATL:	Wilson	TOLERANCE	Mason	DATE	26.05.2014
APPD:	Schumi			FINISH	Jamy		Sheet No.		3 from 4

Customer:



Soldering Profile Curve

Classification Reflow Profile (JEDEC J-STD-020C)



Pluggable Terminal Block

Part No.: **A14M031**

Customer:

DRW:	Jason	CHKD	Wilson	MATL:	Wilson	TOLERANCE	Mason	DATE	26.05.2014
APPD:	Schumi			FINISH	Jamy		Sheet No.	4 from 4	