

Data Sheet

Pluggable Terminal Block

Pitch: 5,08 mm

Serie: A14M030

Customer Information for special Item

EDCON Customer : 0

Customer Version No. : 0

EDCON-COMPONENTS



Technical Discription

Drawing (Dimension in mm)

Electrical

Standard
 Rated voltage
 Rated current
 Withstanding voltage

UL	IEC
300V	320V, 400V
15A	20A
AC 2500V/1min	

Mechanical

Ambient temperature

-40°C ~ +105°C

Dimensions

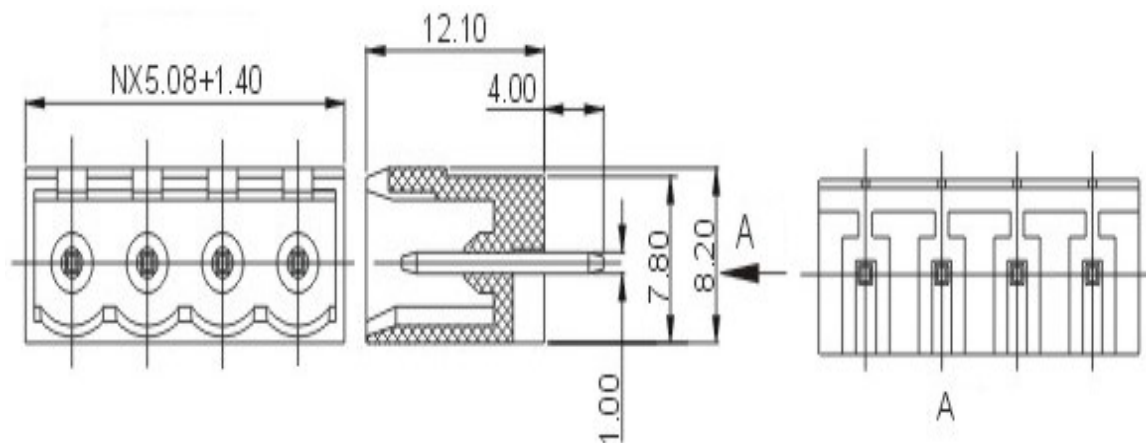
Pitch
 Poles

5.08mm
 2P - 24P | 2P - 12P

Material

Housing
 Pin header

PA66 (UL94V-0)
 Brass, Tin plated



Pluggable Terminal Block

Part No.: **A14M030**

Customer:

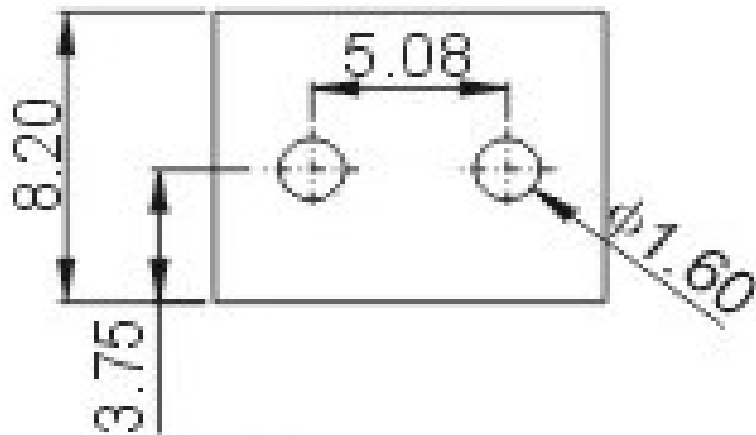
DRW:	Jason	CHKD	Wilson	MATL:	Wilson	TOLERANCE	Mason	DATE	27.03.2022
APPD:	Schumi			FINISH	Jamy		Sheet No.	1 from 4	

EDCON-COMPONENTS



PCB Layout (Dimension in mm)

Dimensions (mm)



No. of Pos.	A	Tol. P
02	11,56	± 0,35
03	16,64	± 0,35
04	21,72	± 0,35
05	26,80	± 0,35
06	31,88	± 0,35
07	36,96	± 0,35
08	42,04	± 0,35
09	47,12	± 0,35
10	52,20	± 0,35
11	57,28	± 0,35
12	62,36	± 0,35
13	67,44	± 0,35
14	72,52	± 0,35
15	77,60	± 0,35
16	82,68	± 0,35
17	87,76	± 0,35
18	92,84	± 0,35
19	97,92	± 0,35
20	103,00	± 0,35
21	108,08	± 0,35
22	113,16	± 0,35
23	118,24	± 0,35
24	123,32	± 0,35

Pluggable Terminal Block	
Part No.:	A14M030
Customer:	

DRW:	Jason	CHKD:	Wilson	MATL:	Wilson	TOLERANCE:	Mason	DATE:	27.03.2022
APPD:	Schumi			FINISH:	Jamy		Sheet No.		2 from 4

www.edcon-components.com

email: info@edcon-components.com

EDCON-COMPONENTS



Ordering Informations

Serie	No. of Pos.	Body Color	Approval	Approval Code	ROHS	Packing	EDCON Cust. No.	Customer Version		
A14M030	02	GN	N	N	R	B				

Pitch
5,08

02= Number of Pos. Standard 2 ~ 24Pos.	GY= Gray (Standard)	0= No Approval	0= NON Approval	R= ROHS Conform	B= Standard Package	xxxxxx= Customer Number	xxx= Customer Version ??(Printing)
	GN= Green	N= Approval for Material	N= UL /UR Approval	N= NON ROHS Conform	I= Individual Package		
	OR= Orange	2= Approval for Terminal Block	B= VDE Approval Please consult EDCON for available				
	BK= Black		C= TÜV Approval Please consult EDCON for available				

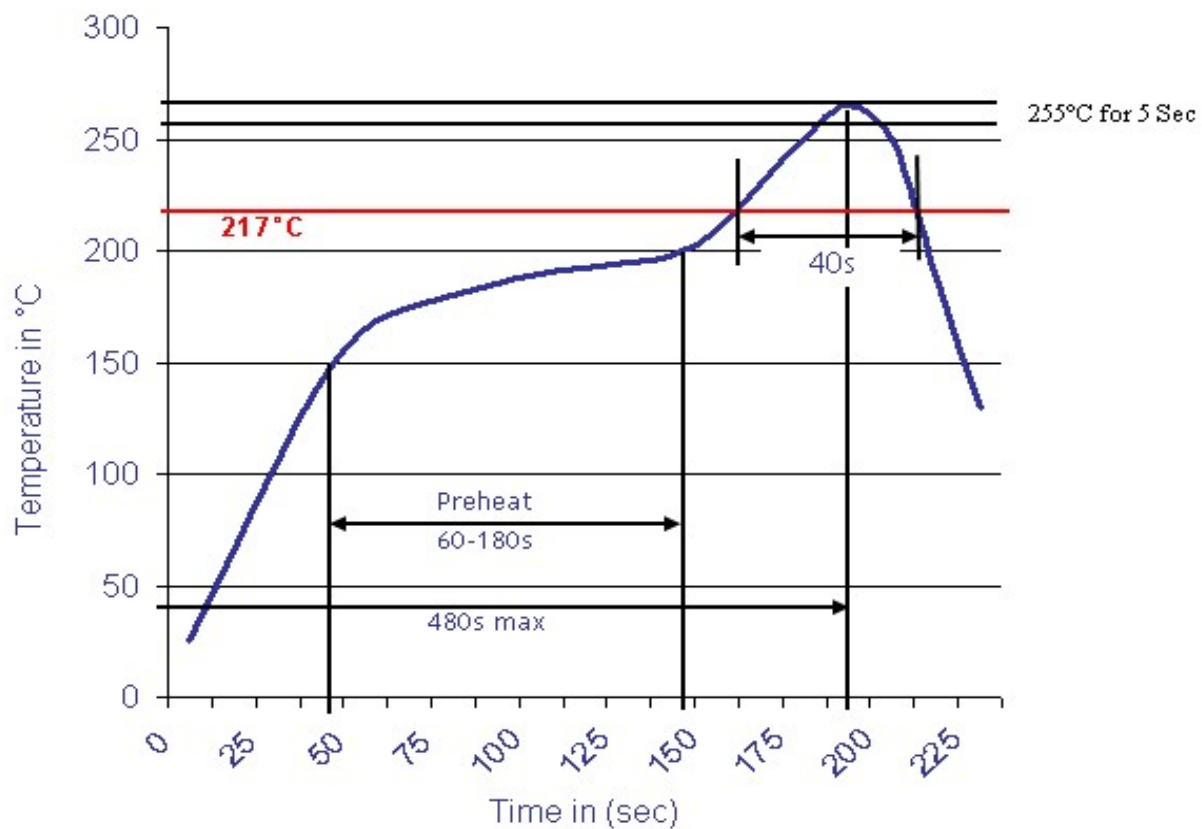
Pluggable Terminal Block	
Part No.:	A14M030
Customer:	

DRW:	Jason	CHKD	Wilson	MATL:	Wilson	TOLERANCE	Mason	DATE	27.03.2022
APPD:	Schumi			FINISH	Jamy		Sheet No.		3 from 4



Soldering Profile Curve

Classification Reflow Profile (JEDEC J-STD-020C)



Pluggable Terminal Block

Part No.: **A14M030**

Customer:

DRW:	Jason	CHKD	Wilson	MATL:	Wilson	TOLERANCE	Mason	DATE	27.03.2022
APPD:	Schumi			FINISH	Jamy		Sheet No.	4 from 4	