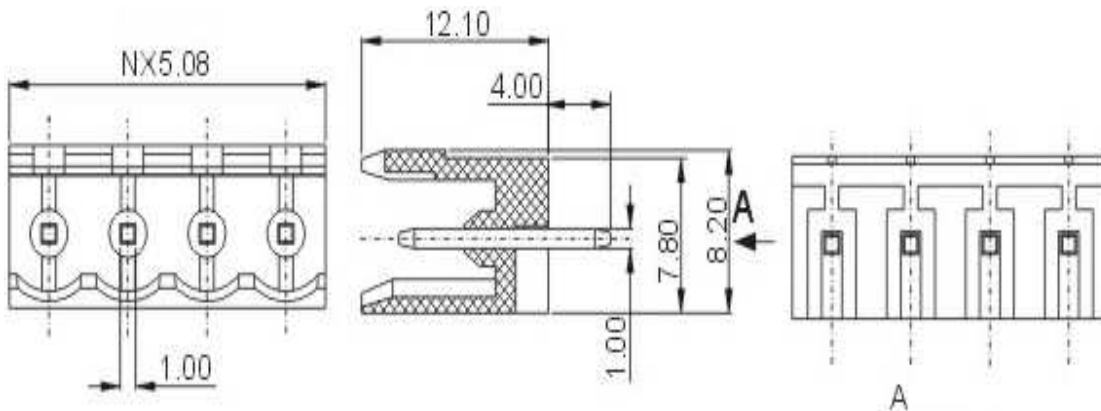


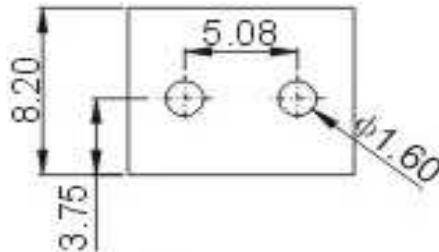
# EDCON-COMPONENTS



## Drawing



## P.C.B. Layout



## Specification

### APPROVAL



### Electrical

Standard  
Rated voltage  
Rated current  
Withstanding voltage

UL	IEC
300V	320V, 400V
15A	20A
AC 2500V/1min	

### Mechanical

Ambient temperature

-40°C ~ +105°C

### Dimensions

Pitch  
Poles

5.08mm  
2P - 24P | 2P - 12P

### Material

Housing  
Pin header

PA66 (UL94V-0)  
Brass, Tin plated



### Certification



Pluggable Terminal Block /  
Pitch 5.08mm

Part No.: A14M029

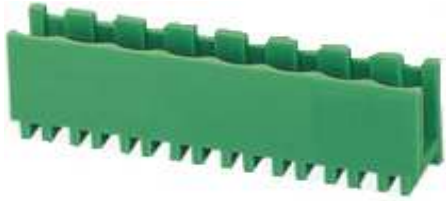
Customer:

DRW:	Bill	CHKD	Lord	MATL:	Jimmy	TOLERANCE	Sam	DATE	14.03.2009
APPD:	Louis			FINISH	Georg		Sheet No.		1 from 3

[www.edcon-components.com](http://www.edcon-components.com)

email: [info@edcon-components.com](mailto:info@edcon-components.com)

# EDCON-COMPONENTS



## Ordering Informations

Serie	-	No. of Pole	Body-Color	-	Customer Request
A14M029	-	XX	XX	-	X

XX = total	<b>WH</b> - white
02	<b>GN</b> - green
...	<b>GR</b> - gray
24	<b>LG</b> - light gray
	<b>PG</b> - Phoenix Green
	<b>OR</b> - orange
	<b>BL</b> - blue
	<b>BK</b> - black



**Certification**



Pluggable Terminal Block /  
Pitch 5.08mm

Part No.: A14M029

Customer:

DRW:	Bill	CHKD	Lord	MATL:	Jimmy	TOLERANCE	Sam	DATE	14.03.2009
APPD:	Louis			FINISH	Georg			Sheet No.	2 from 3

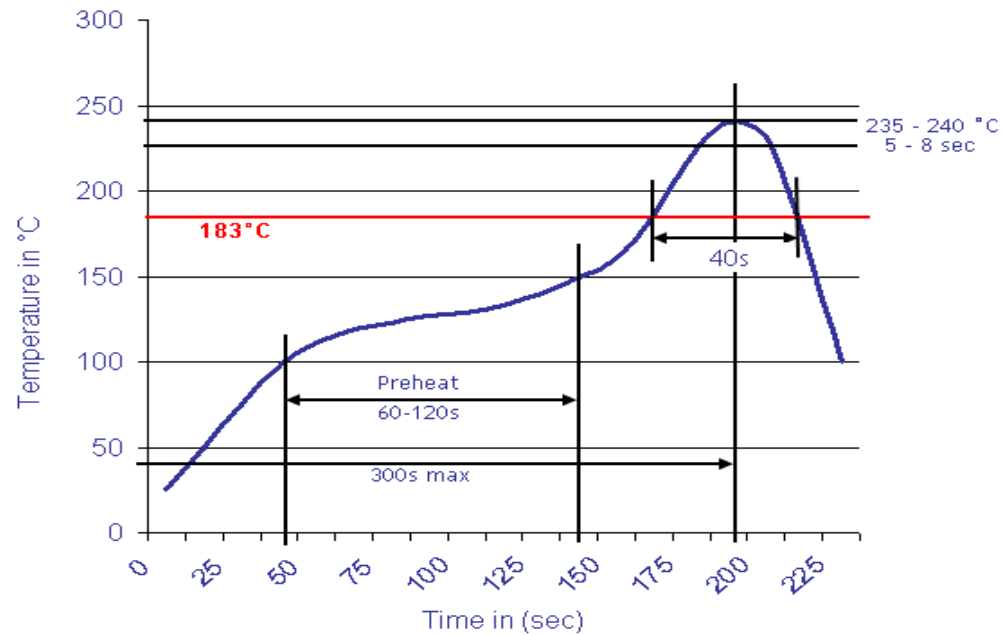
[www.edcon-components.com](http://www.edcon-components.com)

email: [info@edcon-components.com](mailto:info@edcon-components.com)



## Soldering - Profil

### Classification Reflow Profile (JEDEC J-STD-020C)



Pluggable Terminal Block /  
Pitch 5.08mm

Part No.: A14M029

Customer:

DRW:	Bill	CHKD	Lord	MATL:	Jimmy	TOLERANCE	Sam	DATE	14.03.2009
APPD:	Louis			FINISH	Georg		Sheet No.	3 from 3	