

# Data Sheet

## Right Angle Wafer Terminal w. Mounting Screw

**Pitch: 5,08 mm**

**Serie: A14M027**

### Customer Information for special Item

**EDCON Customer : 0**

**Customer Version No. : 0**

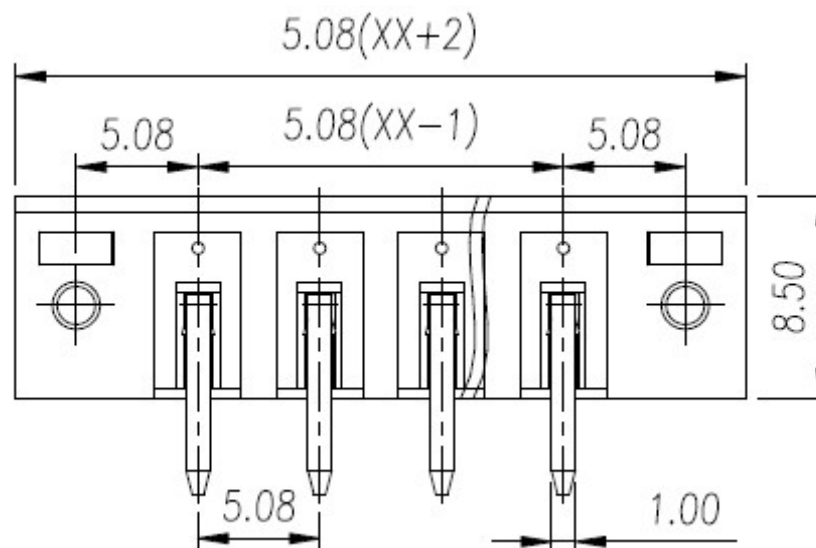
# EDCON-COMPONENTS



## Technical Discription

Electrical	UL	IEC	TÜV
Rated Voltage (V)	300	320	
Rated Current (A)	15	15	
Wire Range (mm <sup>2</sup> )			
Wire Range AWG-Size			
Withstanding Voltage (KV)	1,6	1,6	
Impuls Withst Voltage (KV)	4,0	4,0	
Insulation Resistance			
<b>Mechanical</b>			
Operating Temperature (°C)	-40°C ~ +105		
Wire Strip Length (mm)			
Screw Torque			
Screw Size			
<b>Materials</b>			
Terminal Housing	PA66		
Imflammability	UL94V-0		
Contact Material	Copper Alloy		
Contact Surface:	Tin Plated		
Pin Dimension: (mm)	1,0x1,0		
PCB Hole Diameter (mm)	1,7		
Nut	M3		
<b>Dimensions</b>			
Pitch (mm)	5,08		
Poles	2 ~ 24 Pos.		

## Drawing (Dimension in mm)



DRW:	Jason	CHKD	Wilson	MATL:	Wilson
APPD:	Schumi			FINISH	Jamy

Unspecified Tolerance (mm)				
X.	X.x	X.xx	X.xxx	X.xxxx
0,35	0,25	0,2	0,15	
Wilson	TOLERANCE	Mason	DATE	23.07.2023
Jamy		Sheet No.		1 from 4

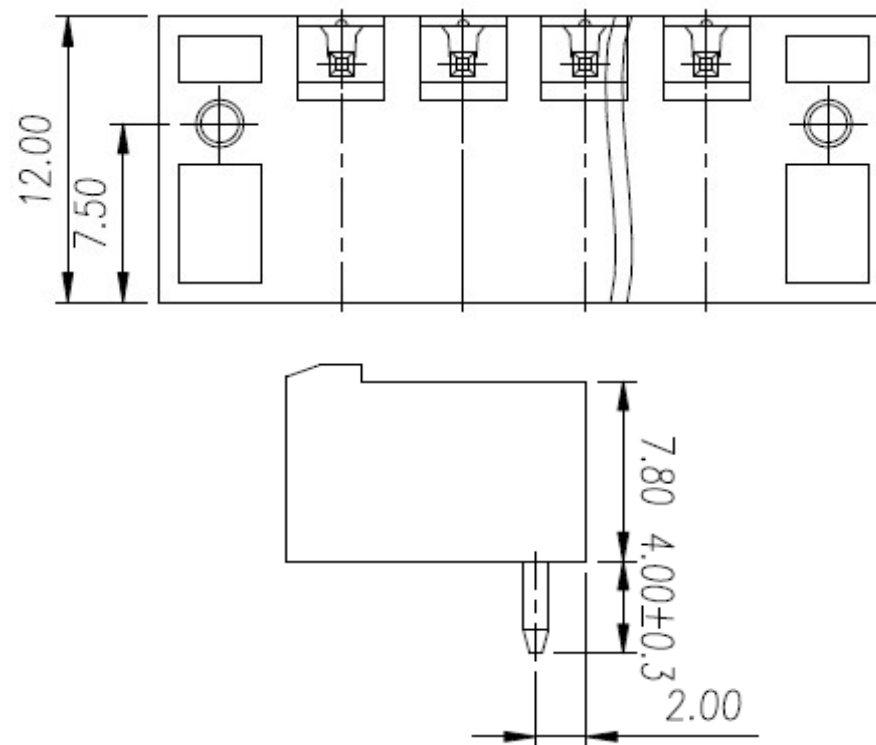
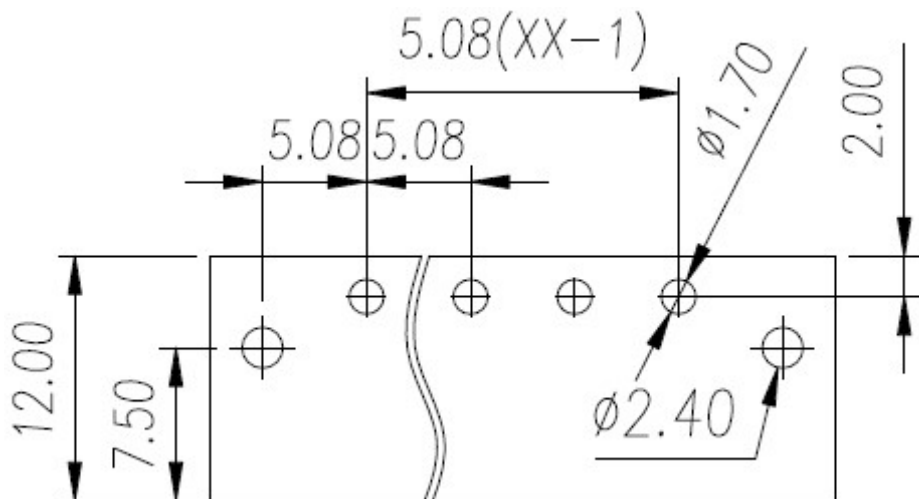
<b>Right Angle Wafer Terminal w. Mounting Screw</b>	
Part No.:	<b>A14M027</b>
Customer:	

# EDCON-COMPONENTS



PCB-Drawing (Dimension in mm)

Dimensions (mm)



**Right Angle Wafer Terminal  
w. Mounting Screw**

Part No.: **A14M027**

DRW:	Jason	CHKD	Wilson	MATL:	Wilson	TOLERANCE	Mason	DATE	23.07.2023
APPD:	Schumi			FINISH	Jamy		Sheet No.		2 from 4

Customer:

# EDCON-COMPONENTS



## Ordering Informations

Serie	No. of Pos.	Body Color	Approval	Approval Code	ROHS	Packing	EDCON Cust. No.	Customer Version		
-------	-------------	------------	----------	---------------	------	---------	-----------------	------------------	--	--

<b>A14M027</b>	<b>02</b>	<b>PG</b>	<b>N</b>	<b>N</b>	<b>R</b>	<b>B</b>				
----------------	-----------	-----------	----------	----------	----------	----------	--	--	--	--

Pitch	02= Number of Pos.	PG= Phoenix Green (Standard)	N= No Approval	N= NON Approval	R= ROHS Conform	B= Standard Package	xxxxxx= Customer Number	xxx= Customer Version ??(Printing)
-------	--------------------	------------------------------	----------------	-----------------	-----------------	---------------------	-------------------------	------------------------------------

Pitch 5,08	Standard 2 ~ 24Pos.	GY= Gray	1= Approval for Material	A= UL /UR Approval Please consult EDCON for available	N= NON ROHS Conform	I= Individual Package		
		GN= Green	2= Approval for Terminal Block	B= VDE Approval Please consult EDCON for available				
		OR= Orange		C= TÜV Approval Please consult EDCON for available				
		BK= Black						

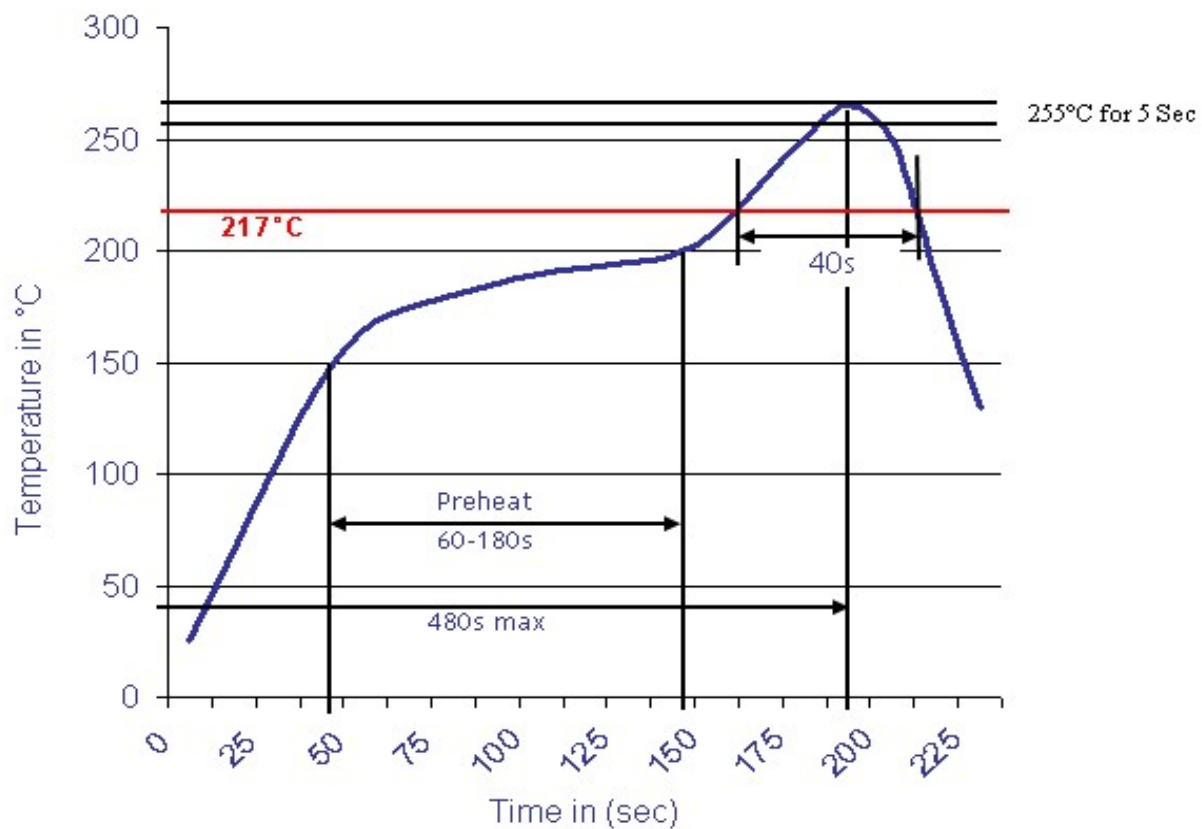
<b>Right Angle Wafer Terminal w. Mounting Screw</b>	
Part No.:	<b>A14M027</b>
Customer:	

DRW:	Jason	CHKD	Wilson	MATL:	Wilson	TOLERANCE	Mason	DATE	23.07.2023
APPD:	Schumi			FINISH	Jamy		Sheet No.		3 from 4



Soldering Profile Curve

Classification Reflow Profile (JEDEC J-STD-020C)



<b>Right Angle Wafer Terminal w. Mounting Screw</b>	
Part No.:	<b>A14M027</b>
Customer:	

DRW:	Jason	CHKD	Wilson	MATL:	Wilson	TOLERANCE	Mason	DATE	23.07.2023
APPD:	Schumi			FINISH	Jamy		Sheet No.	4 from 4	