

Data Sheet

Pluggable Terminal Block

Pitch: 5,08 mm

Serie: A14M026

Customer Information for special Item

EDCON Customer : 0

Customer Version No. : 0

EDCON-COMPONENTS



Technical Discription

Drawing (Dimension in mm)

Electrical

Standard
 Rated voltage
 Rated current
 Withstanding voltage

UL	IEC
300V	320V, 400V
15A	20A
AC 2500V/1min	

Mechanical

Ambient temperature

-40°C ~ +105°C

Dimensions

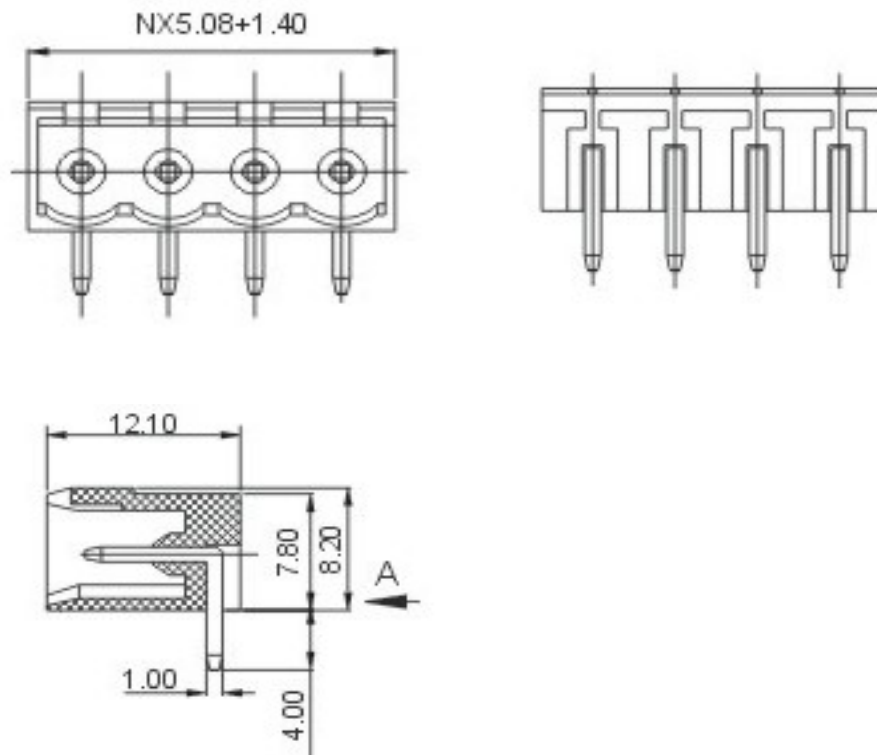
Pitch
 Poles

5.08mm
 2P - 24P | 2P - 12P

Material

Housing
 Pin header

PA66 (UL94V-0)
 Brass, Tin plated



Pluggable Terminal Block

Part No.: **A14M026**

Customer:

DRW:	Jason	CHKD	Wilson	MATL:	Wilson	TOLERANCE	Mason	DATE	27.03.2022
APPD:	Schumi			FINISH	Jamy		Sheet No.	1 from 4	

www.edcon-components.com

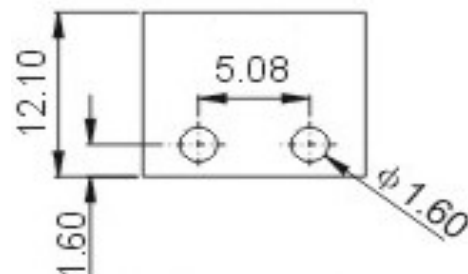
email: info@edcon-components.com

EDCON-COMPONENTS



PCB Layout (Dimension in mm)

Dimensions (mm)



No. of Pos.	N	Tol. P
02	11,56	± 0,35
03	16,64	± 0,35
04	21,72	± 0,35
05	26,80	± 0,35
06	31,88	± 0,35
07	36,96	± 0,35
08	42,04	± 0,35
09	47,12	± 0,35
10	52,20	± 0,35
11	57,28	± 0,35
12	62,36	± 0,35
13	67,44	± 0,35
14	72,52	± 0,35
15	77,60	± 0,35
16	82,68	± 0,35
17	87,76	± 0,35
18	92,84	± 0,35
19	97,92	± 0,35
20	103,00	± 0,35
21	108,08	± 0,35
22	113,16	± 0,35
23	118,24	± 0,35
24	123,32	± 0,35

Pluggable Terminal Block	
Part No.:	A14M026
Customer:	

DRW:	Jason	CHKD:	Wilson	MATL:	Wilson	TOLERANCE:	Mason	DATE:	27.03.2022
APPD:	Schumi			FINISH:	Jamy		Sheet No.		2 from 4

www.edcon-components.com

email: info@edcon-components.com

EDCON-COMPONENTS



Ordering Informations

Serie	No. of Pos.	Body Color	Approval	Approval Code	ROHS	Packing	EDCON Cust. No.	Customer Version		
-------	-------------	------------	----------	---------------	------	---------	-----------------	------------------	--	--

A14M026	02	PG	N	N	R	B				
----------------	-----------	-----------	----------	----------	----------	----------	--	--	--	--

Pitch 5,08	02 = Number of Pos. Standard 2 ~ 24Pos.	PG = Phoenix-Green GY = Gray (Standard) GN = Green OR = Orange BK = Black	0 = No Approval N = Approval for Material 2 = Approval for Terminal Block	0 = NON Approval N = UL /UR Approval B = VDE Approval Please consult EDCON for available C = TÜV Approval Please consult EDCON for available	R = ROHS Conform N = NON ROHS Conform	B = Standard Package I = Individual Package	xxxxxx = Customer Number	xxx = Customer Version ??(Printing)
---------------	---	--	--	---	--	--	---------------------------------	---

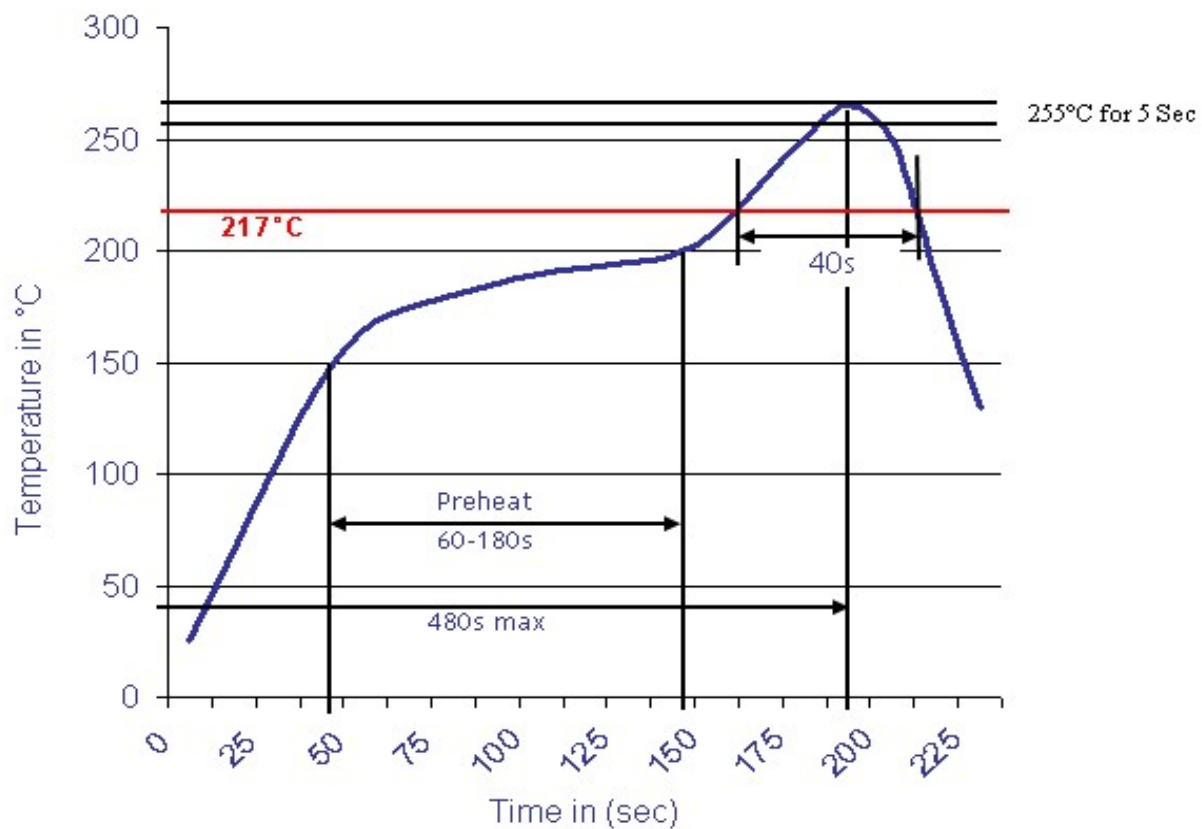
Pluggable Terminal Block	
Part No.:	A14M026
Customer:	

DRW:	Jason	CHKD	Wilson	MATL:	Wilson	TOLERANCE	Mason	DATE	27.03.2022
APPD:	Schumi			FINISH	Jamy		Sheet No.		3 from 4



Soldering Profile Curve

Classification Reflow Profile (JEDEC J-STD-020C)



Pluggable Terminal Block

Part No.: **A14M026**

Customer:

DRW:	Jason	CHKD	Wilson	MATL:	Wilson	TOLERANCE	Mason	DATE	27.03.2022
APPD:	Schumi			FINISH	Jamy		Sheet No.	4 from 4	