

Data Sheet

Pluggable Terminal Block (Header)

Pitch: 5,08 mm

Serie: A14M024

Customer Information for special Item

EDCON Customer : 0

Customer Version No. : 0

EDCON-COMPONENTS



Technical Discription

Electrical	UL	IEC	VDE
Rated Voltage	300Volt		320V, 400V
Rated Current	15A		20A

Withstanding Voltage AC2500V/1min.
 Insulation Resistance

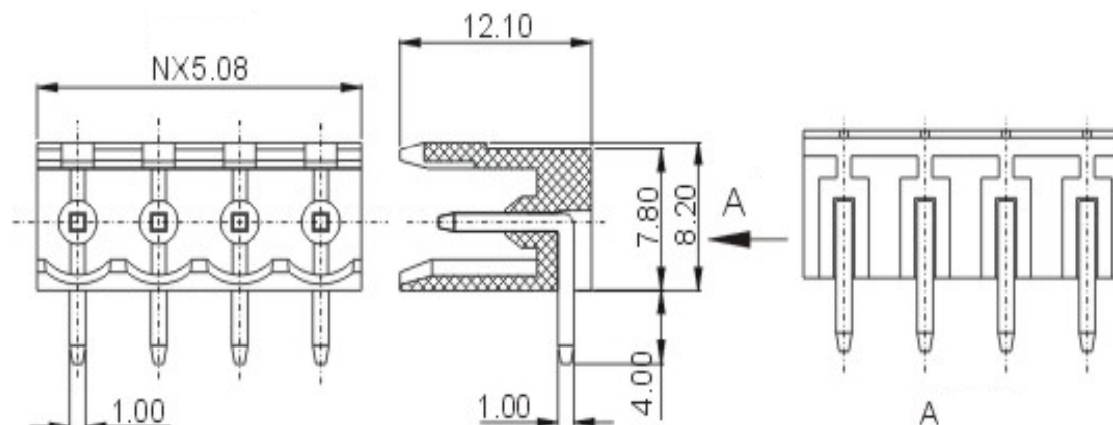
Mechanical
 Operating Temperature . -40°C ~ +105°C

Dimensions
 Pitch (mm) 5,08
 Poles 2 ~ 24 Pos.

Materials
 Terminal Housing PA66, UL94V-0

Pin Header Brass Tin Plated

Drawing (Dimension in mm)



Pluggable Terminal Block (Header)

Part No.: **A14M024**

Customer:

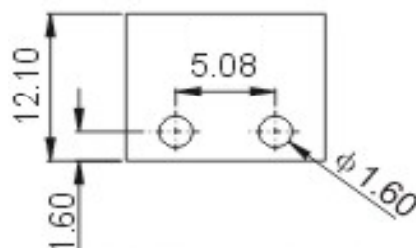
DRW:	Jason	CHKD	Wilson	MATL:	Wilson	TOLERANCE	Mason	DATE	16.03.2017
APPD:	Schumi			FINISH	Jamy		Sheet No.	1 from 4	

EDCON-COMPONENTS



PCB Layout

Dimensions (mm)



No. of Pos.	N	Tol. A	B	Tol. B
02	10,16	± 0,15	5,08	± 0,15
03	15,24	± 0,15	10,16	± 0,15
04	20,32	± 0,15	15,24	± 0,15
05	25,40	± 0,15	20,32	± 0,15
06	30,48	± 0,15	25,40	± 0,15
07	35,56	± 0,20	30,48	± 0,20
08	40,64	± 0,20	35,56	± 0,20
09	45,72	± 0,20	40,64	± 0,20
10	50,80	± 0,20	45,72	± 0,20
11	55,88	± 0,20	50,80	± 0,20
12	60,96	± 0,20	55,88	± 0,20
13	66,04	± 0,25	60,96	± 0,25
14	71,12	± 0,25	66,04	± 0,25
15	76,20	± 0,25	71,12	± 0,25
16	81,28	± 0,25	76,20	± 0,25
17	86,36	± 0,25	81,28	± 0,25
18	91,44	± 0,25	86,36	± 0,25
19	96,52	± 0,30	91,44	± 0,30
20	101,60	± 0,30	96,52	± 0,30
21	106,68	± 0,30	101,60	± 0,30
22	111,76	± 0,30	106,68	± 0,30
23	116,84	± 0,30	111,76	± 0,30
24	121,92	± 0,30	116,84	± 0,30

Pluggable Terminal Block (Header)

Part No.: **A14M024**

Customer:

DRW:	Jason	CHKD	Wilson	MATL:	Wilson	TOLERANCE	Mason	DATE	16.03.2017
APPD:	Schumi			FINISH	Jamy		Sheet No.		2 from 4

EDCON-COMPONENTS



Ordering Informations

Serie	No. of Pos.	Body Color	No Function	Approval Code	ROHS	Packing	EDCON Cust. No.	Customer Version		
-------	-------------	------------	-------------	---------------	------	---------	-----------------	------------------	--	--

A14M024	02	PG	N	N	R	B				
----------------	-----------	-----------	----------	----------	----------	----------	--	--	--	--

Pitch 5,08	02= Number of Pos. Standard 2 ~ 24 Pos.	PG= Phoenix Green (Standard) WH= White	N= No function	N= NON Approval A= UL /UR Approval Please consult EDCON for available	R= ROHS Conform N= NON ROHS Conform	B= Bulk-Ware I= Individual Package	xxxxxx= Customer Number	xxx= Customer Version ??(Printing)		
---------------	---	---	-----------------------	---	--	---	--------------------------------	--	--	--

Other Position on Request Please consult EDCON	GN= Green GY= Gray LG= Light Gray OR= Orange BL= Blue BK= Black		B= VDE Approval Please consult EDCON for available C= TÜV Approval Please consult EDCON for available						
---	--	--	--	--	--	--	--	--	--

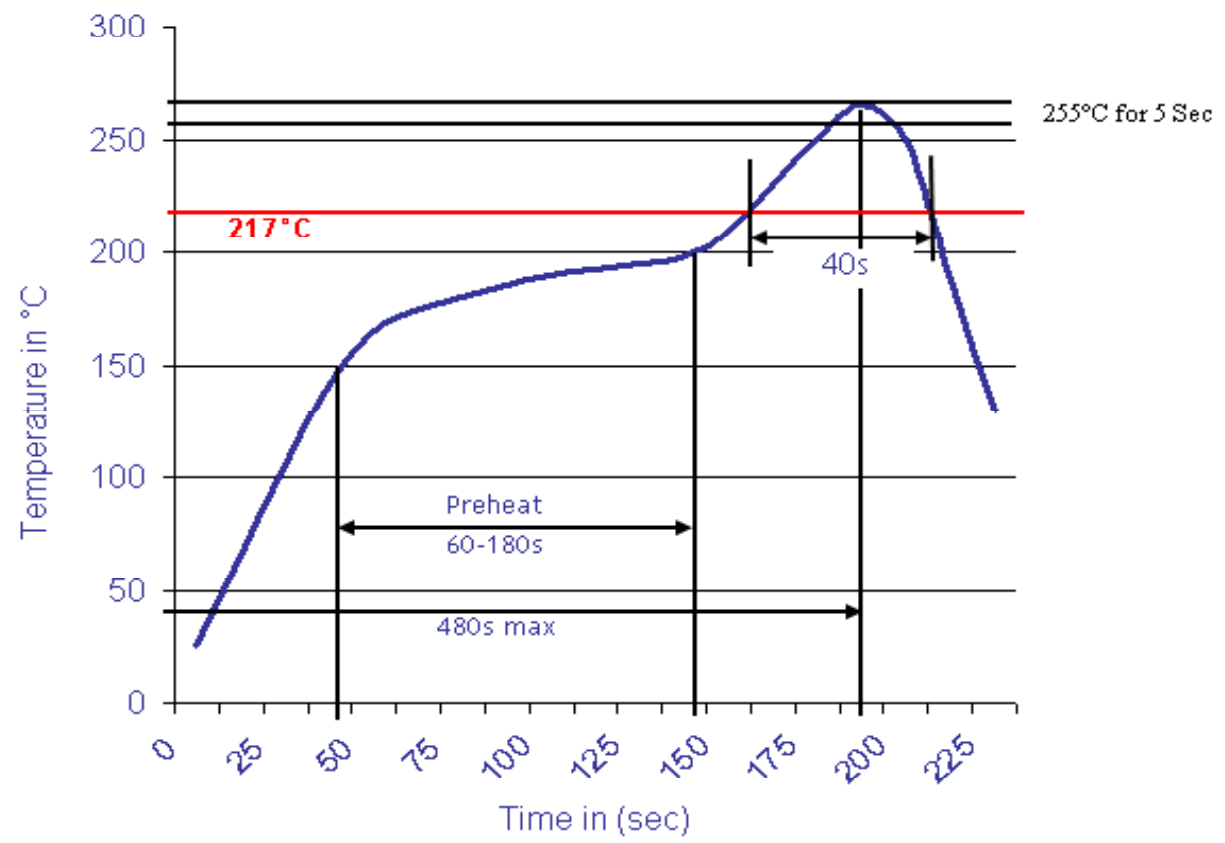
Pluggable Terminal Block (Header)	
Part No.:	A14M024
Customer:	

DRW:	Jason	CHKD	Wilson	MATL:	Wilson	TOLERANCE	Mason	DATE	16.03.2017
APPD:	Schumi			FINISH	Jamy			Sheet No.	3 from 4



Soldering Profile Curve

Classification Reflow Profile (JEDEC J-STD-020C)



Pluggable Terminal Block (Header)

Part No.: **A14M024**

Customer:

DRW:	Jason	CHKD	Wilson	MATL:	Wilson	TOLERANCE	Mason	DATE	16.03.2017
APPD:	Schumi			FINISH	Jamy		Sheet No.	4 from 4	