

# Data Sheet

## Pluggable Terminal Block (Plug)

**Pitch: 5,08 mm**

**Serie: A14M016**

### Customer Information for special Item

**EDCON Customer : 0**

**Customer Version No. : 0**

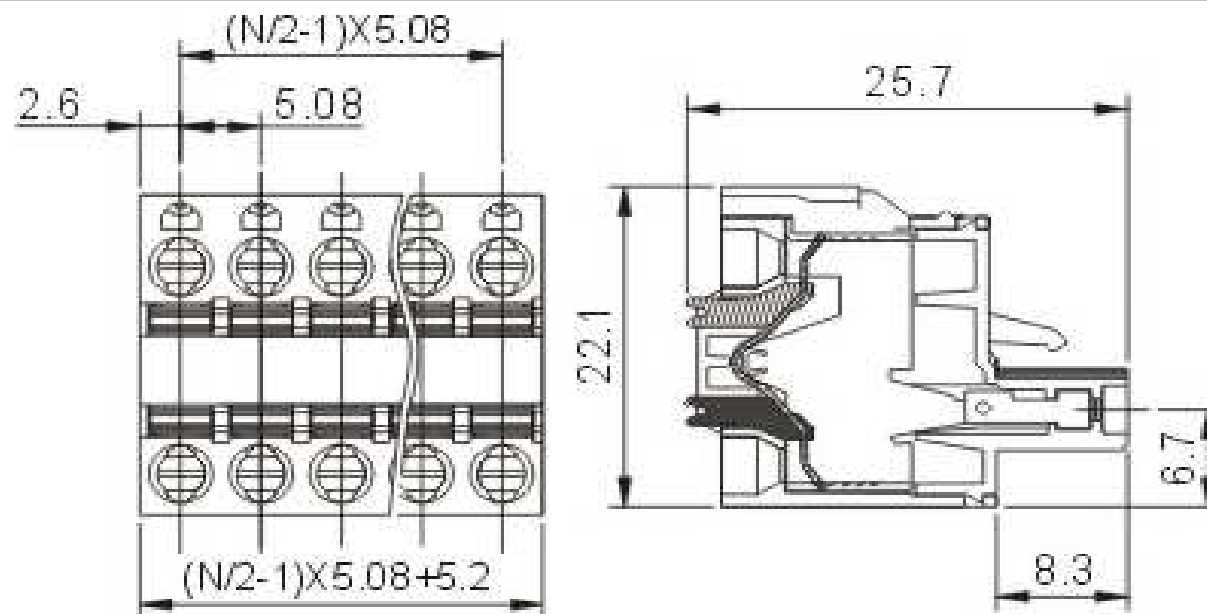
# EDCON-COMPONENTS



## Technical Discription

	UL	IEC
<b>Electrical</b>		
Rated Voltage	300Volt	320V
Rated Current	10A	20A
Wire Range		2,5mm <sup>2</sup>
Wire Range AWG-Size	12 ~ 28	
<b>Mechanical</b>		
Withstanding Voltage		2,5KV/1min
Insulation Resistance		5000MΩ / 1000V
Operating Temperature		-40°C ~ +115°C
Wire Strip Length		10mm
Screw Torque		
Screw Size		
<b>Dimensions</b>		
Pitch (mm)		5,08
Poles		2 ~ 12 Pos.
<b>Materials</b>		
Terminal Housing		PA66 UL94V-0
Pin Header		
Contact		Phosphor Bronze
Wire Guard		Stainless Steel

## Drawing (Dimension in mm)



### Pluggable Terminal Block (Plug)

Part No.: **A14M016**

Customer:

DRW:	Jason	CHKD	Wilson	MATL:	Wilson	TOLERANCE	Mason	DATE	22.10.2015
APPD:	Schumi			FINISH	Jamy		Sheet No.		1 from 4

# EDCON-COMPONENTS



## Dimension Tolerance (mm)

No. of Pos.	A	Tol. A	N	Tol. N
02	15,36	± 0,10	5,08	± 0,10
03	20,44	± 0,10	10,16	± 0,10
04	25,52	± 0,10	15,24	± 0,10
05	30,60	± 0,10	20,32	± 0,10
06	35,68	± 0,10	25,40	± 0,10
07	40,76	± 0,10	30,48	± 0,10
08	45,84	± 0,10	35,56	± 0,10
09	50,92	± 0,20	40,64	± 0,20
10	56,00	± 0,20	45,72	± 0,20
11	61,08	± 0,20	50,80	± 0,20
12	66,16	± 0,20	55,88	± 0,20
13	71,24	± 0,20	60,96	± 0,20
14	76,32	± 0,20	66,04	± 0,20
15	81,40	± 0,20	71,12	± 0,20
16	86,48	± 0,20	76,20	± 0,20
17	91,56	± 0,30	81,28	± 0,30
18	96,64	± 0,30	86,36	± 0,30
19	101,72	± 0,30	91,44	± 0,30
20	106,80	± 0,30	96,52	± 0,30
21	111,88	± 0,30	101,60	± 0,30
22	116,96	± 0,30	106,68	± 0,30
23	122,04	± 0,30	111,76	± 0,30
24	127,12	± 0,30	116,84	± 0,30

**Pluggable Terminal Block  
(Plug)**

Part No.: **A14M016**

Customer:

DRW:	Jason	CHKD	Wilson	MATL:	Wilson	TOLERANCE	Mason	DATE	22.10.2015
APPD:	Schumi			FINISH	Jamy		Sheet No.		2 from 4



# EDCON-COMPONENTS



## Ordering Informations

Serie	No. of Pos.	Body Color	Screw Type	Approval Code	ROHS	Packing	EDCON Cust. No.	Customer Version		
-------	-------------	------------	------------	---------------	------	---------	-----------------	------------------	--	--

<b>A14M016</b>	<b>02</b>	<b>PG</b>	<b>C</b>	<b>N</b>	<b>R</b>	<b>B</b>				
----------------	-----------	-----------	----------	----------	----------	----------	--	--	--	--

Pitch 5,08	<b>02=</b> Number of Pos. Standard 2 ~ 24Pos.	<b>PG=</b> Phoenix Green (Standard) <b>WH=</b> White <b>GN=</b> Green <b>GY=</b> Gray <b>LG=</b> Light Gray <b>OR=</b> Orange <b>BL=</b> Blue <b>BK=</b> Black	<b>A=</b> Slotted Screw Type (Standard)  <b>B=</b> Cross Slotted Screw Type  <b>C=</b> Screwless Type	<b>N=</b> NON Approval <b>A=</b> UL /UR Approval Please consult EDCON for available <b>B=</b> VDE Approval Please consult EDCON for available <b>C=</b> TÜV Approval Please consult EDCON for available	<b>R=</b> ROHS Conform <b>N=</b> NON ROHS Conform	<b>B=</b> Bulk-Ware <b>I=</b> Individual Package	<b>xxxxxx=</b> Customer Number	<b>xxx=</b> Customer Version ??(Printing)		
---------------	--	---	---	--	--	---	--------------------------------	---	--	--

**Pluggable Terminal Block (Plug)**

Part No.: **A14M016**

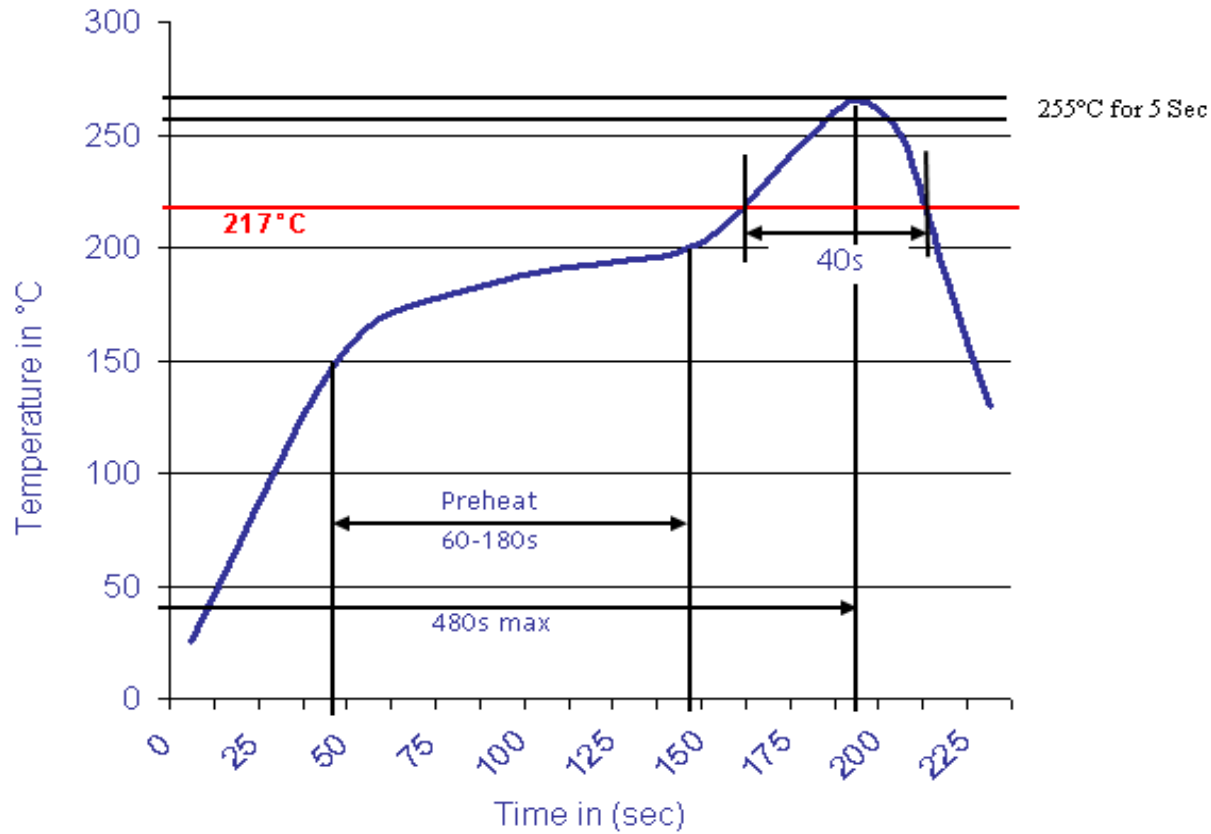
DRW:	Jason	CHKD	Wilson	MATL:	Wilson	TOLERANCE	Mason	DATE	22.10.2015
APPD:	Schumi			FINISH	Jamy		Sheet No.		3 from 4

Customer: email: [info@edcon-components.com](mailto:info@edcon-components.com)



Soldering Profile Curve

Classification Reflow Profile (JEDEC J-STD-020C)



**Pluggable Terminal Block (Plug)**

Part No.: **A14M016**

Customer:

DRW:	Jason	CHKD	Wilson	MATL:	Wilson	TOLERANCE	Mason	DATE	22.10.2015
APPD:	Schumi			FINISH	Jamy		Sheet No.	4 from 4	