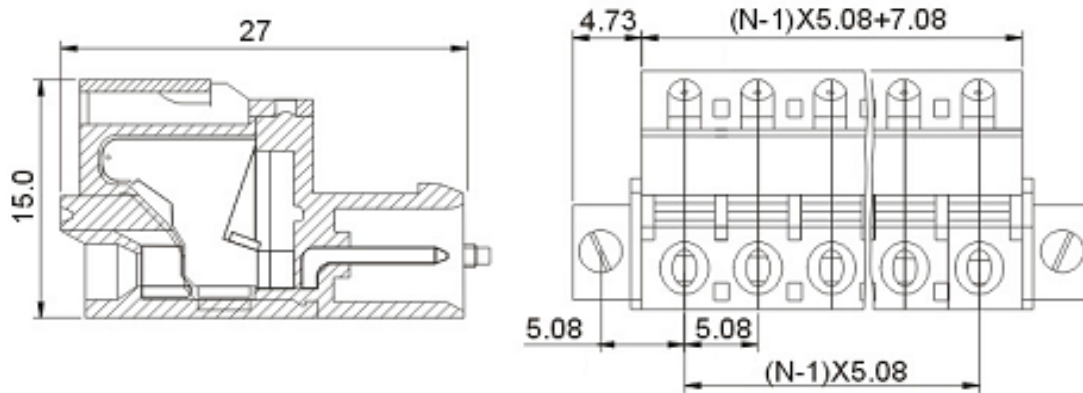


EDCON-COMPONENTS



Drawing



P.C.B. Layout

Specification

APPROVAL



Electrical

| | | |
|----------------------|---------------|--------------------|
| Standard | UL | IEC |
| Rated voltage | 300V | 320V |
| Rated current | 10A | 20A |
| Wire range | 26-12 AWG | 2.5mm ² |
| Withstanding voltage | AC 2500V/1min | |

Mechanical

| | |
|---------------------|----------------|
| Ambient temperature | -40°C ~ +105°C |
| Strip length | 10mm |

Dimensions

| | |
|-------|----------|
| Pitch | 5.08mm |
| Poles | 2P - 16P |

Material

| | |
|------------|-----------------|
| Housing | PA66 (UL94V-0) |
| Contact | Phosphor Bronze |
| Wire guard | Stainless steel |



Certification



Pluggable Terminal Block /
Pitch 5.08mm

Part No.: A14M013

Customer:

| | | | | | | | | | |
|-------|-------|------|------|--------|-------|-----------|-----------|------|-----------|
| DRW: | Bill | CHKD | Lord | MATL: | Jimmy | TOLERANCE | Sam | DATE | 14.3.2009 |
| APPD: | Louis | | | FINISH | Georg | | Sheet No. | | 1 from 3 |

www.edcon-components.com

email: info@edcon-components.com

EDCON-COMPONENTS



Ordering Informations

| Serie | - | No. of Pole | Body-Color | - | Customer Request |
|---------|---|-------------|------------|---|------------------|
| A14M013 | - | XX | XX | - | X |

| | |
|------------|--------------------|
| XX = total | WH - white |
| 02 | GN - green |
| ... | GR - gray |
| 16 | LG - light gray |
| | PG - Phoenix Green |
| | OR - orange |
| | BL - blue |
| | BK - black |



Certification



Pluggable Terminal Block /
Pitch 5.08mm

Part No.: A14M013

Customer:

| | | | | | | | | | |
|-------|-------|------|------|--------|-------|-----------|-----|-----------|-----------|
| DRW: | Bill | CHKD | Lord | MATL: | Jimmy | TOLERANCE | Sam | DATE | 14.3.2009 |
| APPD: | Louis | | | FINISH | Georg | | | Sheet No. | 2 from 3 |

www.edcon-components.com

email: info@edcon-components.com

EDCON-COMPONENTS



Soldering - Profil

Classification Reflow Profile (JEDEC J-STD-020C)



Pluggable Terminal Block /
Pitch 5.08mm

Part No.: A14M013

Customer:

| | | | | | | | | | |
|-------|-------|------|------|--------|-------|-----------|-----------|----------|-----------|
| DRW: | Bill | CHKD | Lord | MATL: | Jimmy | TOLERANCE | Sam | DATE | 14.3.2009 |
| APPD: | Louis | | | FINISH | Georg | | Sheet No. | 3 from 3 | |

www.edcon-components.com

email: info@edcon-components.com