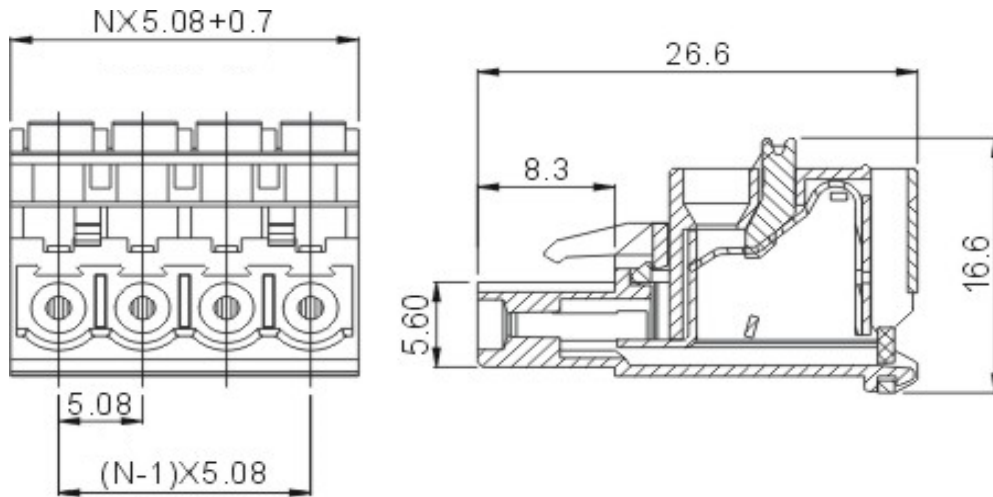


EDCON-COMPONENTS



Drawing



P.C.B. Layout

Specification

APPROVAL		UL	VDE
Electrical			
Standard	UL	IEC	
Rated voltage	300V	320V	
Rated current	10A	20A	
Wire range	26-12 AWG	2.5mm ²	
Withstanding voltage	AC 2500V/1min		
Mechanical			
Ambient temperature	-40°C ~ +105°C		
Strip length	10mm		
Dimensions			
Pitch	5.08mm		
Poles	2P - 18P		
Material			
Housing	PA66 (UL94V-0)		
Contact	Phosphor Bronze		
Wire guard	Stainless steel		



Certification



Pluggable Terminal Block /
Pitch 5.08mm

Part No.: A14M008

Customer:

DRW:	Bill	CHKD	Lord	MATL:	Jimmy	TOLERANCE	Sam	DATE	14.3.2009
APPD:	Louis			FINISH	Georg		Sheet No.		1 from 3

www.edcon-components.com

email: info@edcon-components.com

EDCON-COMPONENTS



Ordering Informations

Serie	-	No. of Pole	Body-Color	-	Customer Request
A14M008	-	XX	XX	-	X

XX = total	WH - white
02	GN - green
...	GR - gray
18	LG - light gray
	PG - Phoenix Green
	OR - orange
	BL - blue
	BK - black



Certification



Pluggable Terminal Block /
Pitch 5.08mm

Part No.: A14M008

Customer:

DRW:	Bill	CHKD	Lord	MATL:	Jimmy	TOLERANCE	Sam	DATE	14.3.2009
APPD:	Louis			FINISH	Georg			Sheet No.	2 from 3

www.edcon-components.com

email: info@edcon-components.com

EDCON-COMPONENTS



Soldering - Profil

Classification Reflow Profile (JEDEC J-STD-020C)



Pluggable Terminal Block /
Pitch 5.08mm

Part No.: A14M008

Customer:

DRW:	Bill	CHKD	Lord	MATL:	Jimmy	TOLERANCE	Sam	DATE	14.3.2009
APPD:	Louis			FINISH	Georg		Sheet No.	3 from 3	

www.edcon-components.com

email: info@edcon-components.com