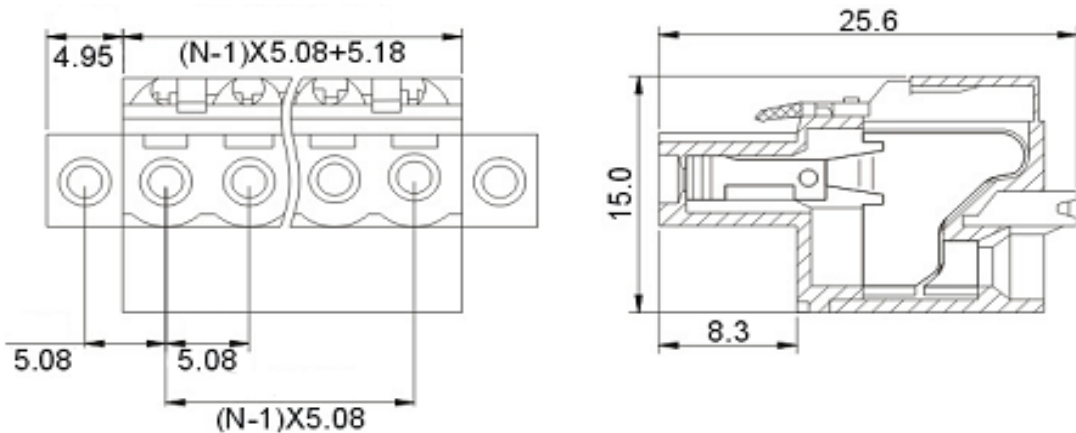


EDCON-COMPONENTS



Drawing



P.C.B. Layout

Specification

APPROVAL		ULus	CE
Electrical		UL	IEC
Standard		300V	320V
Rated voltage		10A	20A
Rated current		AC 2500V/1min	
Withstanding voltage			
Mechanical			
Ambient temperature		-40°C ~ +105°C	
Strip length		10mm	
Dimensions			
Pitch		5.08mm	
Poles		2P - 16P	
Material			
Housing		PA66 (UL94V-0)	
Contact		Phosphor Bronze	
Wire guard		Stainless steel	



Certification



Pluggable Terminal Block /
Pitch 5.08mm

Part No.: A14M007

Customer:

DRW:	Bill	CHKD	Lord	MATL:	Jimmy	TOLERANCE	Sam	DATE	14.3.2009
APPD:	Louis			FINISH	Georg		Sheet No.		1 from 3

www.edcon-components.com

email: info@edcon-components.com

EDCON-COMPONENTS



Ordering Informations

Serie	-	No. of Pole	Body-Color	-	Customer Request
A14M007	-	XX	XX	-	X

XX = total	WH - white
02	GN - green
...	GR - gray
16	LG - light gray
	PG - Phoenix Green
	OR - orange
	BL - blue
	BK - black



Certification



Pluggable Terminal Block /
Pitch 5.08mm

Part No.: A14M007

Customer:

DRW:	Bill	CHKD	Lord	MATL:	Jimmy	TOLERANCE	Sam	DATE	14.3.2009
APPD:	Louis			FINISH	Georg		Sheet No.	2 from 3	

www.edcon-components.com

email: info@edcon-components.com

EDCON-COMPONENTS



Soldering - Profil

Classification Reflow Profile (JEDEC J-STD-020C)



Pluggable Terminal Block /
Pitch 5.08mm

Part No.: A14M007

Customer:

DRW:	Bill	CHKD	Lord	MATL:	Jimmy	TOLERANCE	Sam	DATE	14.3.2009
APPD:	Louis			FINISH	Georg		Sheet No.	3 from 3	

www.edcon-components.com

email: info@edcon-components.com