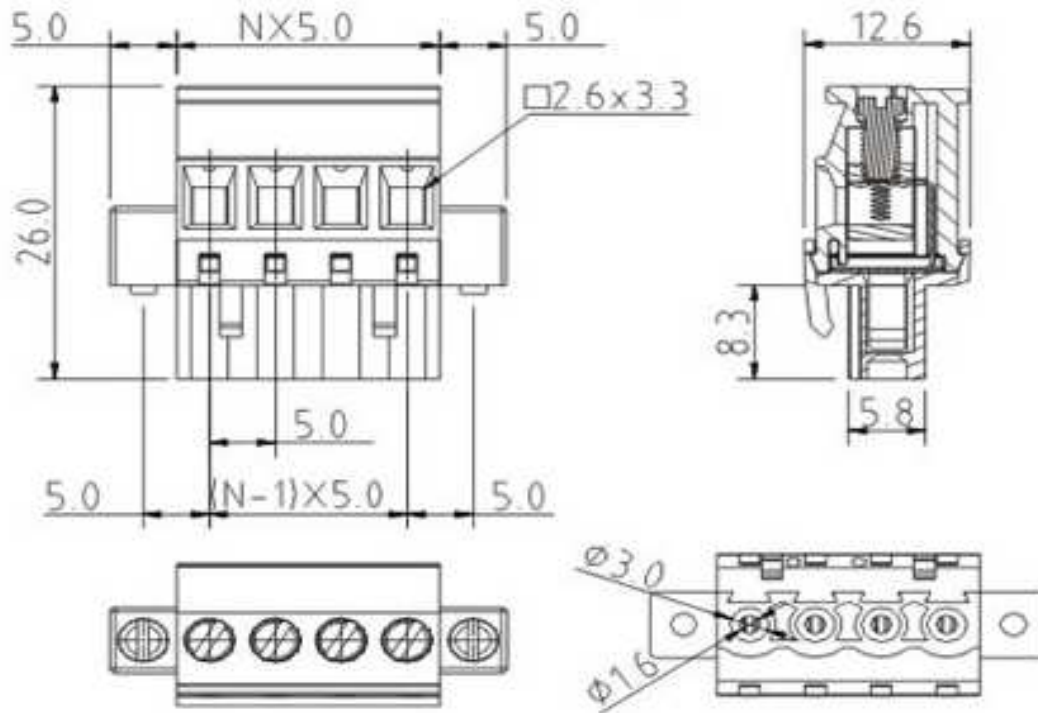


EDCON-COMPONENTS



Drawing



Specification

APPROVAL



Electrical

	UL	IEC
Standard	UL	IEC
Rated voltage	300V	320V, 400V
Rated current	15A	10A
Wire range	28-12 AWG	2.5mm ²
Withstanding voltage	AC 2500V/1min	

Mechanical

Ambient temperature	-40°C ~ +105°C	
Strip length	7mm	
Screw, Torque	M3, 0.5Nm (3.5Lb-In.)	

Dimensions

Pitch	5.00mm	
Poles	2P - 24P	2P - 12P

Material

Housing	PA66 (UL94V-0)
Contact	Phosphor Bronze
Cage	Brass, Ni plated
Terminal screw	steel, Cr ³⁺ Zn plated
Operating Temperature	-40°C ~ +115°C



Certification

Pluggable Terminal Block /
Pitch 5.00mm with Mounting ears

Part No.: A14L065

Customer:

DRW:	Bill	CHKD	Lord	MATL:	Jimmy	TOLERANCE	Sam	DATE	19.01.2012
APPD:	Louis			FINISH	Georg		Sheet No.	1 from 2	

www.edcon-components.com

email: info@edcon-components.com

EDCON-COMPONENTS



Ordering Informations

Serie	-	No. of Pole	Body-Color	-	Customer Request
A14L065	-	XX	XX	-	X

XX = total	PG - Phoenix
02	Green
...	(Standard)
24	GR - gray
	LG - light gray
	OR - orange
	BL - blue
	BK - black
	WH - white
	GN - green



Certification

Pluggable Terminal Block /
Pitch 5.00mm with Mounting ears

Part No.: A14L065

Customer:

DRW:	Bill	CHKD	Lord	MATL:	Jimmy	TOLERANCE	Sam	DATE	19.01.2012
APPD:	Louis			FINISH	Georg			Sheet No.	2 from 2

www.edcon-components.com

email: info@edcon-components.com