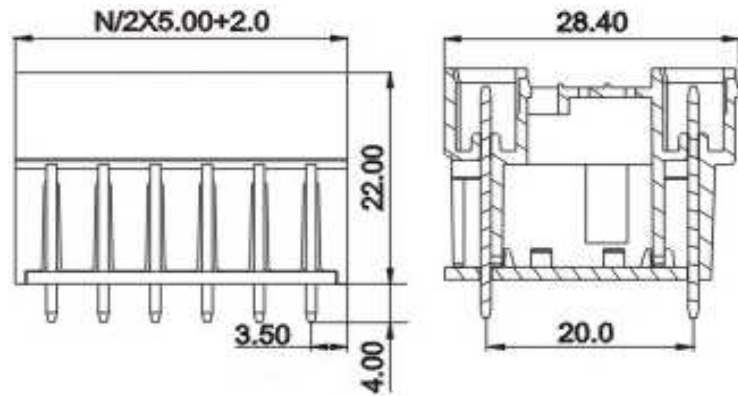


EDCON-COMPONENTS



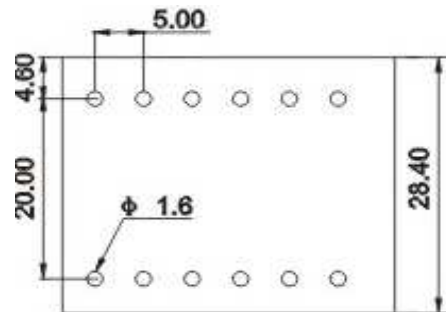
Drawing



Specification

APPROVAL	UL	VDE
Electrical		
Standard	UL	IEC
Rated voltage	300V	320V
Rated current	15A	10A
Withstanding voltage	AC 2500V/1min	
Mechanical		
Ambient temperature	-40°C ~ +105°C	
Dimensions		
Pitch	5.00mm	
Poles	2 x (2P - 24P)	
Material		
Housing	PA66 (UL94V-0)	
Pin header	Brass, Tin plated	

P.C.B. Layout



Certification



Pluggable Terminal Block /
Pitch 5.00mm

Part No.: A14L048

Customer:

DRW:	Bill	CHKD	Lord	MATL:	Jimmy	TOLERANCE	Sam	DATE	14.03.2009
APPD:	Louis			FINISH	Georg		Sheet No.		1 from 3

www.edcon-components.com

email: info@edcon-components.com

EDCON-COMPONENTS



Ordering Informations

Serie	-	No. of Pole	Body-Color	-	Customer Request
A14L048	-	XX	XX	-	X

XX = total	WH - white
02	GN - green
...	GR - gray
24	LG - light gray
	PG - Phoenix Green
	OR - orange
	BL - blue
	BK - black



Certification



Pluggable Terminal Block /
Pitch 5.00mm

Part No.: A14L048

Customer:

DRW:	Bill	CHKD	Lord	MATL:	Jimmy	TOLERANCE	Sam	DATE	14.03.2009
APPD:	Louis			FINISH	Georg			Sheet No.	2 from 3

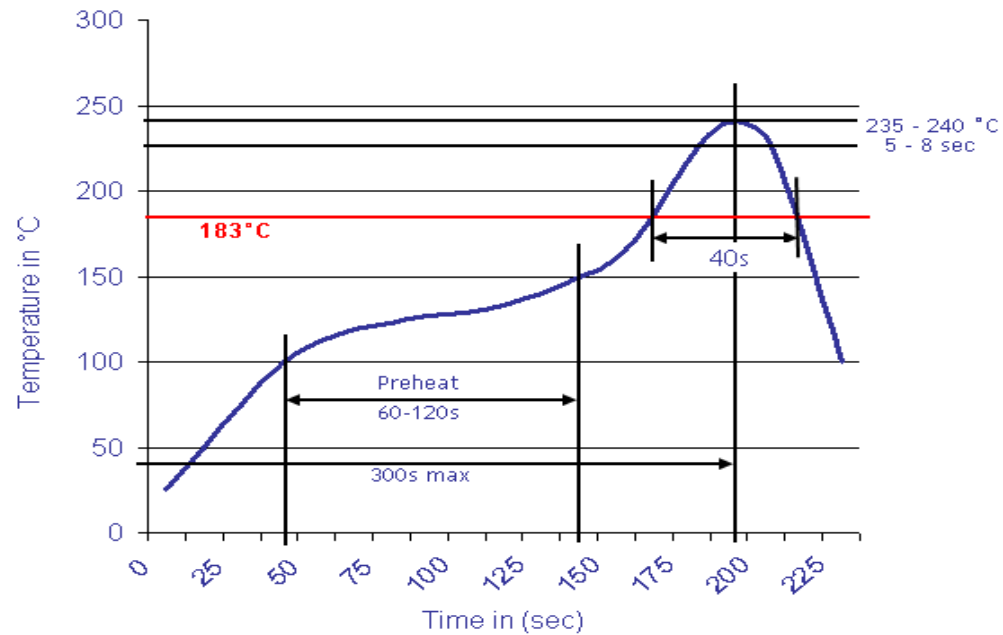
www.edcon-components.com

email: info@edcon-components.com



Soldering - Profil

Classification Reflow Profile (JEDEC J-STD-020C)



Pluggable Terminal Block /
Pitch 5.00mm

Part No.: A14L048

Customer:

DRW:	Bill	CHKD	Lord	MATL:	Jimmy	TOLERANCE	Sam	DATE	14.03.2009
APPD:	Louis			FINISH	Georg		Sheet No.	3 from 3	