

# Data Sheet

## Pluggable Terminal Block

**Pitch: 5,00 mm**

**Serie: A14L040**

### Customer Information for special Item

**EDCON Customer : 0**

**Customer Version No. : 0**

# EDCON-COMPONENTS



## Technical Discription

## Drawing (Dimension in mm)

### Electrical

Standard	UL	IEC
Rated voltage	300V	320V, 400V
Rated current	15A	20A
Wire range	28-12 AWG	2.5mm <sup>2</sup>
Withstanding voltage	AC 2500V/1min	

### Mechanical

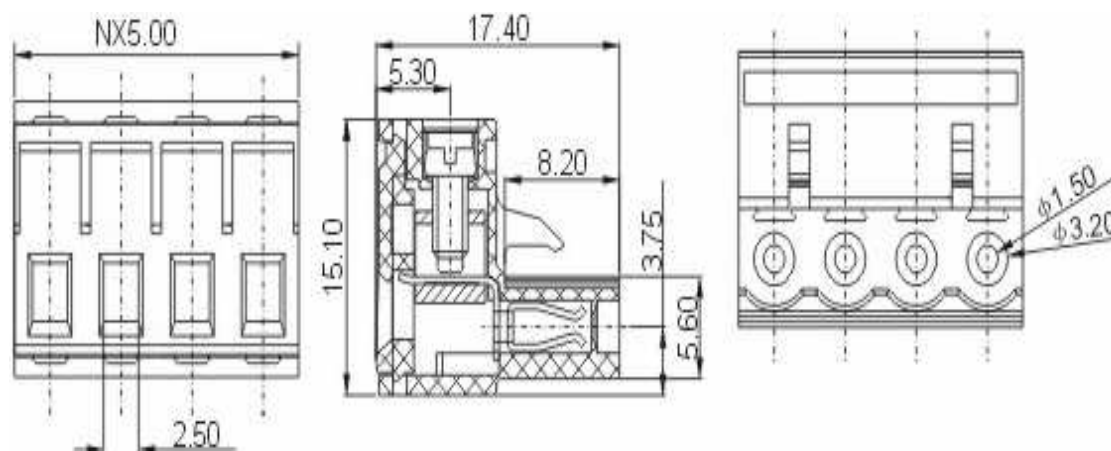
Ambient temperature	-40°C ~ +105°C	
Strip length	7mm	
Screw, Torque	M2.5, 0.4Nm (3.5Lb-In.)	

### Dimensions

Pitch	5.00mm	
Poles	2P - 24P	2P - 12P

### Material

Housing	PA66 (UL94V-0)
Contact	Phosphor Bronze
Cage	Brass, Ni plated
Terminal screw	steel, Cr <sup>3+</sup> Zn plated



## Pluggable Terminal Block

Part No.: **A14L040**

DRW:	Jason	CHKD	Wilson	MATL:	Wilson	TOLERANCE	Mason	DATE	26.05.2014
APPD:	Schumi			FINISH	Jamy		Sheet No.		1 from 4

Customer:

# EDCON-COMPONENTS



PCB Layout (Dimension in mm)

Dimensions (mm)

No. of Pos.	A	Tol. P
02	10,00	± 0,35
03	15,00	± 0,35
04	20,00	± 0,35
05	25,00	± 0,35
06	30,00	± 0,35
07	35,00	± 0,35
08	40,00	± 0,35
09	45,00	± 0,35
10	50,00	± 0,35
11	55,00	± 0,35
12	60,00	± 0,35
13	65,00	± 0,35
14	70,00	± 0,35
15	75,00	± 0,35
16	80,00	± 0,35
17	85,00	± 0,35
18	90,00	± 0,35
19	95,00	± 0,35
20	100,00	± 0,35
21	105,00	± 0,35
22	110,00	± 0,35
23	115,00	± 0,35
24	120,00	± 0,35

**Pluggable Terminal Block**

Part No.: **A14L040**

DRW:	Jason	CHKD	Wilson	MATL:	Wilson	TOLERANCE	Mason	DATE	26.05.2014	Customer:
APPD:	Schumi			FINISH	Jamy		Sheet No.	2 from 4		

# EDCON-COMPONENTS



## Ordering Informations

Serie	No. of Pos.	Body Color	Approval	Approval Code	ROHS	Packing	EDCON Cust. No.	Customer Version		
<b>A14L040</b>	<b>02</b>	<b>GN</b>	<b>N</b>	<b>N</b>	<b>R</b>	<b>B</b>				

Pitch  
5,00

02= Number of Pos. Standard 2 ~ 24Pos.	GY= Gray (Standard)	N= No Approval	N= NON Approval	R= ROHS Conform	B= Standard Package	xxxxxx= Customer Number	xxx= Customer Version ??(Printing)
	GN= Green	1= Approval for Material	A= UL /UR Approval Please consult EDCON for available	N= NON ROHS Conform	I= Individual Package		
	OR= Orange	2= Approval for Terminal Block	B= VDE Approval Please consult EDCON for available				
	BK= Black		C= TÜV Approval Please consult EDCON for available				

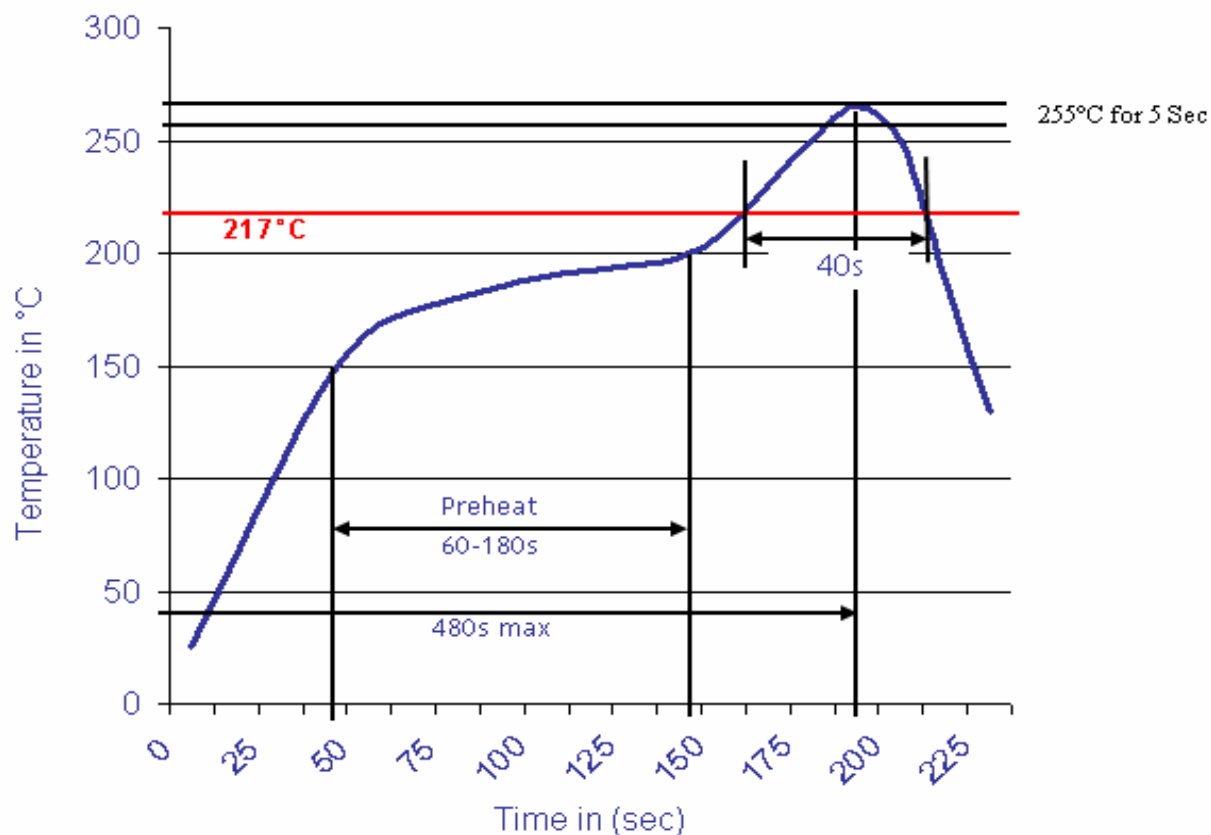
<b>Pluggable Terminal Block</b>	
Part No.:	<b>A14L040</b>
Customer:	

DRW:	Jason	CHKD	Wilson	MATL:	Wilson	TOLERANCE	Mason	DATE	26.05.2014
APPD:	Schumi			FINISH	Jamy		Sheet No.		3 from 4



Soldering Profile Curve

Classification Reflow Profile (JEDEC J-STD-020C)



**Pluggable Terminal Block**

Part No.: **A14L040**

Customer:

DRW:	Jason	CHKD	Wilson	MATL:	Wilson	TOLERANCE	Mason	DATE	26.05.2014
APPD:	Schumi			FINISH	Jamy		Sheet No.	4 from 4	