

# Data Sheet

## Pluggable Terminal Block

**Pitch: 5,00 mm**

**Serie: A14L024**

### Customer Information for special Item

**EDCON Customer : 0**

**Customer Version No. : 0**

# EDCON-COMPONENTS



## Technical Discription

## Drawing (Dimension in mm)

### Electrical

Standard	UL	IEC
Rated voltage	300V	320V, 400V
Rated current	15A	10A
Wire range	28-12 AWG	2.5mm <sup>2</sup>
Withstanding voltage	AC 2500V/1min	

### Mechanical

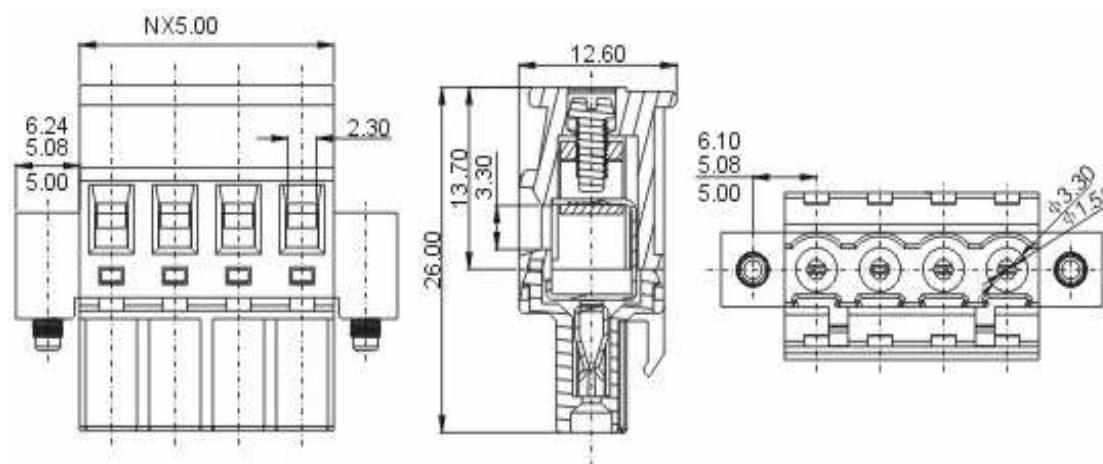
Ambient temperature	-40°C ~ +105°C
Strip length	7mm
Screw, Torque	M2.5, 0.4Nm (3.5Lb-In.)

### Dimensions

Pitch	5.00mm
Poles	2P - 22P   2P - 12P

### Material

Housing	PA66 (UL94V-0)
Contact	Phosphor Bronze
Cage	Brass, Ni plated
Terminal screw	steel, Cr <sup>3+</sup> Zn plated



## Pluggable Terminal Block

Part No.: **A14L024**

DRW:	Jason	CHKD	Wilson	MATL:	Wilson	TOLERANCE	Mason	DATE	26.05.2014
APPD:	Schumi			FINISH	Jamy		Sheet No.		1 from 4

Customer:

# EDCON-COMPONENTS



PCB Layout (Dimension in mm)

Dimensions (mm)

No. of Pos.	A	Tol. P
02	20,00	± 0,35
03	25,00	± 0,35
04	30,00	± 0,35
05	35,00	± 0,35
06	40,00	± 0,35
07	45,00	± 0,35
08	50,00	± 0,35
09	55,00	± 0,35
10	60,00	± 0,35
11	65,00	± 0,35
12	70,00	± 0,35
13	75,00	± 0,35
14	80,00	± 0,35
15	85,00	± 0,35
16	90,00	± 0,35
17	95,00	± 0,35
18	100,00	± 0,35
19	105,00	± 0,35
20	110,00	± 0,35
21	115,00	± 0,35
22	120,00	± 0,35
23	125,00	± 0,35
24	130,00	± 0,35

**Pluggable Terminal Block**

Part No.: **A14L024**

DRW:	Jason	CHKD	Wilson	MATL:	Wilson	TOLERANCE	Mason	DATE	26.05.2014	Customer:
APPD:	Schumi			FINISH	Jamy		Sheet No.	2 from 4		

# EDCON-COMPONENTS



## Ordering Informations

Serie	No. of Pos.	Body Color	Approval	Approval Code	ROHS	Packing	EDCON Cust. No.	Customer Version		
<b>A14L024</b>	<b>02</b>	<b>GN</b>	<b>N</b>	<b>N</b>	<b>R</b>	<b>B</b>				

Pitch  
5,00

<b>02</b> = Number of Pos.	<b>GY</b> = Gray (Standard)	<b>N</b> = No Approval	<b>N</b> = NON Approval	<b>R</b> = ROHS Conform	<b>B</b> = Standard Package	<b>xxxxxx</b> = Customer Number	<b>xxx</b> = Customer Version ??(Printing)
Standard 2 ~ 24Pos.		<b>1</b> = Approval for Material	<b>A</b> = UL /UR Approval Please consult EDCON for available	<b>N</b> = NON ROHS Conform	<b>I</b> = Individual Package		
	<b>GN</b> = Green	<b>2</b> = Approval for Terminal Block					
			<b>B</b> = VDE Approval Please consult EDCON for available				
	<b>OR</b> = Orange						
	<b>BK</b> = Black		<b>C</b> = TÜV Approval Please consult EDCON for available				

**Pluggable Terminal Block**

Part No.: **A14L024**

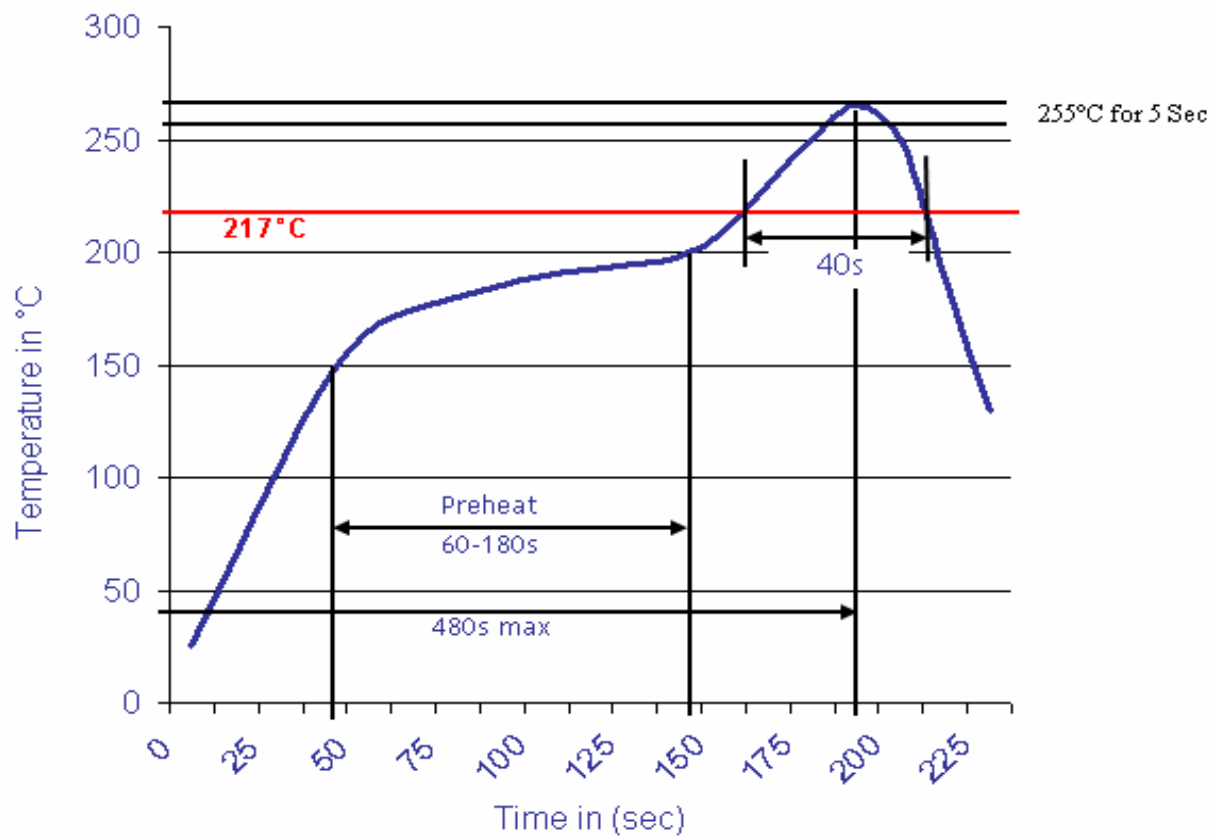
DRW:	Jason	CHKD	Wilson	MATL:	Wilson	TOLERANCE	Mason	DATE	26.05.2014
APPD:	Schumi			FINISH	Jamy		Sheet No.		3 from 4

Customer:



Soldering Profile Curve

Classification Reflow Profile (JEDEC J-STD-020C)



**Pluggable Terminal Block**

Part No.: **A14L024**

Customer:

DRW:	Jason	CHKD	Wilson	MATL:	Wilson	TOLERANCE	Mason	DATE	26.05.2014
APPD:	Schumi			FINISH	Jamy		Sheet No.	4 from 4	