

Data Sheet

Pluggable Terminal Block

Pitch: 5,00 mm

Serie: A14L019

Customer Information for special Item

EDCON Customer : 0

Customer Version No. : 0

EDCON-COMPONENTS



Technical Discription

Drawing (Dimension in mm)

Electrical

| | | |
|----------------------|---------------|------------|
| Standard | UL | IEC |
| Rated voltage | 300V | 320V, 400V |
| Rated current | 15A | 20A |
| Withstanding voltage | AC 2500V/1min | |

Mechanical

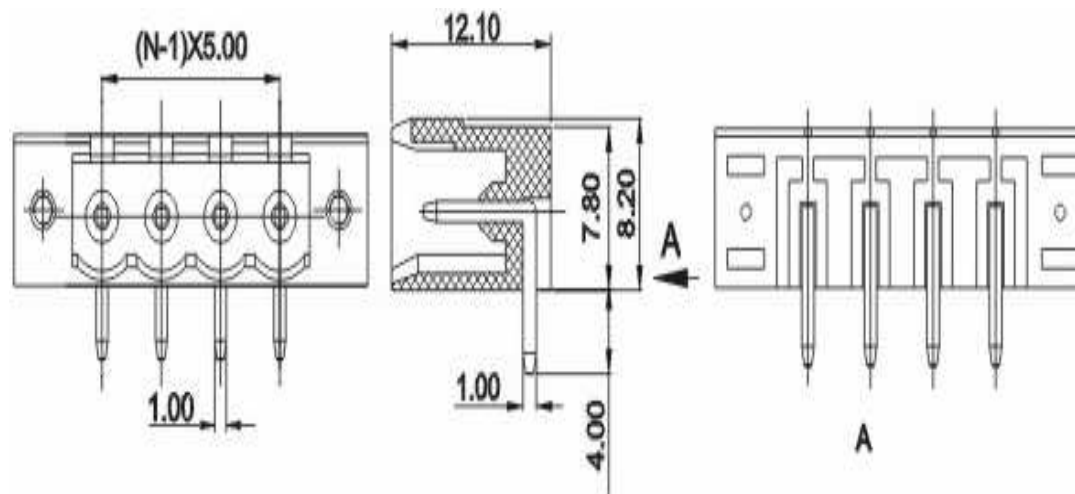
| | |
|---------------------|----------------|
| Ambient temperature | -40°C ~ +105°C |
|---------------------|----------------|

Dimensions

| | |
|-------|---------------------|
| Pitch | 5.00mm |
| Poles | 2P - 22P 2P - 12P |

Material

| | |
|------------|-------------------|
| Housing | PA66 (UL94V-0) |
| Pin header | Brass, Tin plated |
| Nut | M2.5, Brass |



Pluggable Terminal Block

Part No.: **A14L019**

Customer:

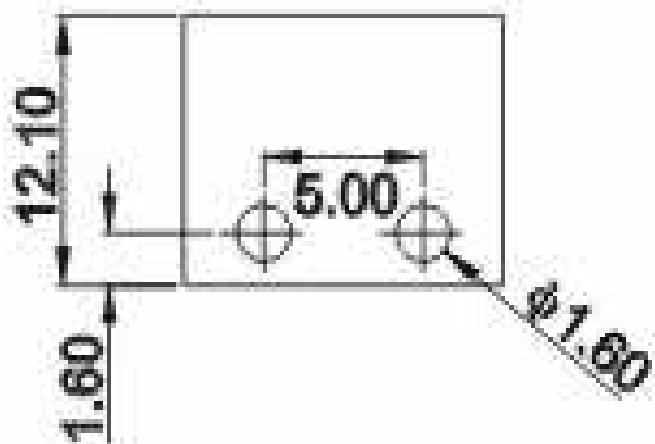
| | | | | | | | | | |
|-------|--------|------|--------|--------|--------|-----------|-----------|----------|------------|
| DRW: | Jason | CHKD | Wilson | MATL: | Wilson | TOLERANCE | Mason | DATE | 26.05.2014 |
| APPD: | Schumi | | | FINISH | Jamy | | Sheet No. | 1 from 4 | |

EDCON-COMPONENTS



PCB Layout (Dimension in mm)

Dimensions (mm)



| | |
|---------------------------------|----------------|
| Pluggable Terminal Block | |
| Part No.: | A14L019 |
| Customer: | |

| | | | | | | | | | |
|-------|--------|------|--------|--------|--------|-----------|-----------|----------|------------|
| DRW: | Jason | CHKD | Wilson | MATL: | Wilson | TOLERANCE | Mason | DATE | 26.05.2014 |
| APPD: | Schumi | | | FINISH | Jamy | | Sheet No. | 2 from 4 | |

EDCON-COMPONENTS



Ordering Informations

| Serie | No. of Pos. | Body Color | Approval | Approval Code | ROHS | Packing | EDCON Cust. No. | Customer Version | | |
|-------|-------------|------------|----------|---------------|------|---------|-----------------|------------------|--|--|
|-------|-------------|------------|----------|---------------|------|---------|-----------------|------------------|--|--|

| | | | | | | | | | | |
|----------------|-----------|-----------|----------|----------|----------|----------|--|--|--|--|
| A14L019 | 02 | GN | N | N | R | B | | | | |
|----------------|-----------|-----------|----------|----------|----------|----------|--|--|--|--|

| | | | | | | | | | | |
|---------------|---|---|--|--|--|--|---------------------------------|--|--|--|
| Pitch 5,00 | 02 = Number of Pos. Standard 2 ~ 24Pos. | GY = Gray (Standard) GN = Green OR = Orange BK = Black | N = No Approval 1 = Approval for Material 2 = Approval for Terminal Block | N = NON Approval A = UL /UR Approval Please consult EDCON for available B = VDE Approval Please consult EDCON for available C = TÜV Approval Please consult EDCON for available | R = ROHS Conform N = NON ROHS Conform | B = Standard Package I = Individual Package | xxxxxx = Customer Number | xxx = Customer Version ??(Printing) | | |
|---------------|---|---|--|--|--|--|---------------------------------|--|--|--|

Pluggable Terminal Block

Part No.: **A14L019**

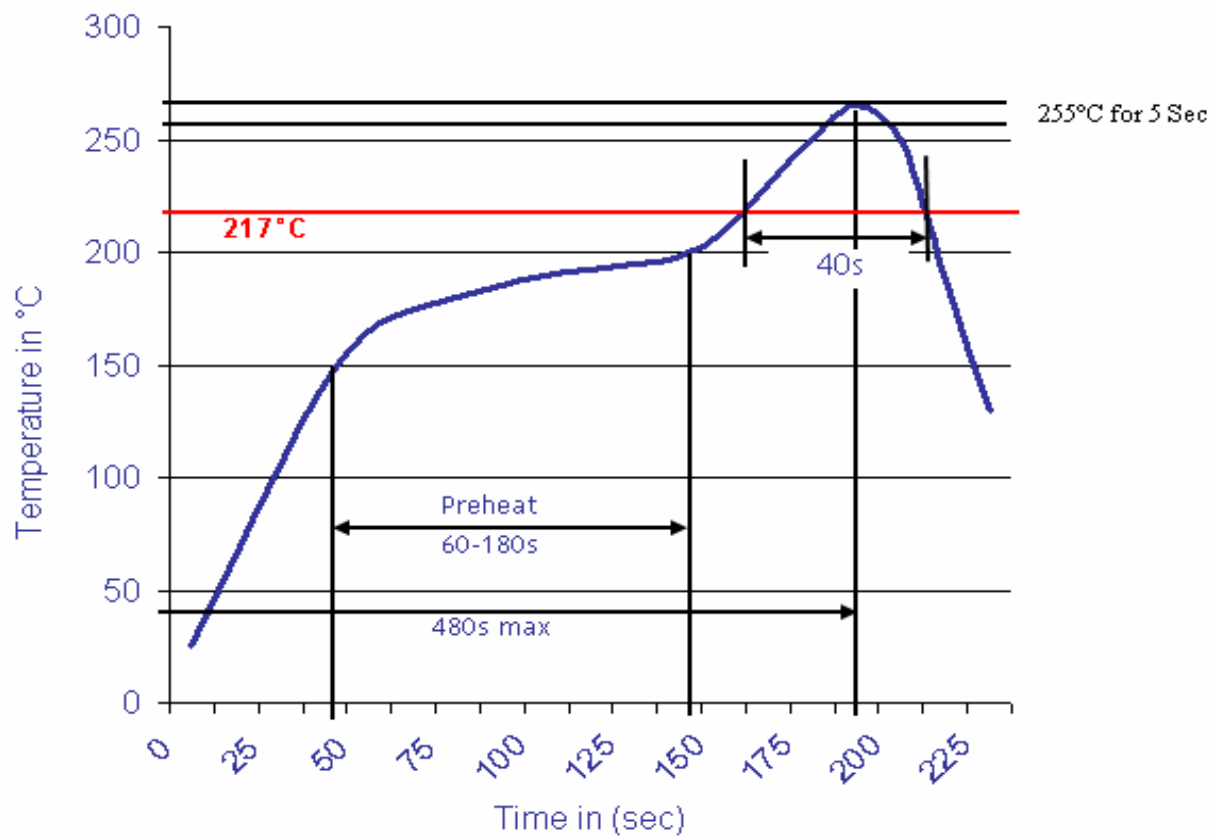
| | | | | | | | | | |
|-------|--------|------|--------|--------|--------|-----------|-----------|------|------------|
| DRW: | Jason | CHKD | Wilson | MATL: | Wilson | TOLERANCE | Mason | DATE | 26.05.2014 |
| APPD: | Schumi | | | FINISH | Jamy | | Sheet No. | | 3 from 4 |

Customer:



Soldering Profile Curve

Classification Reflow Profile (JEDEC J-STD-020C)



Pluggable Terminal Block

Part No.: **A14L019**

Customer:

| | | | | | | | | | |
|-------|--------|------|--------|--------|--------|-----------|-----------|----------|------------|
| DRW: | Jason | CHKD | Wilson | MATL: | Wilson | TOLERANCE | Mason | DATE | 26.05.2014 |
| APPD: | Schumi | | | FINISH | Jamy | | Sheet No. | 4 from 4 | |