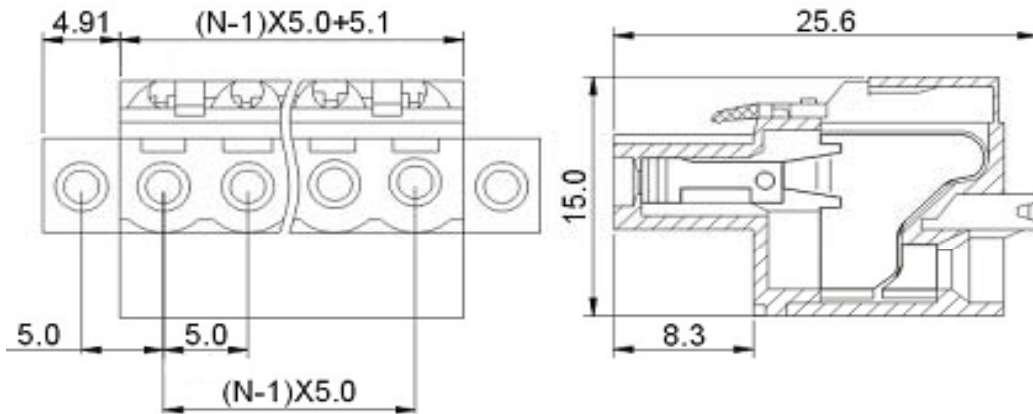


EDCON-COMPONENTS



Drawing



Specification

APPROVAL	ULus	CE
Electrical		
Standard	UL	IEC
Rated voltage	300V	320V
Rated current	10A	20A
Withstanding voltage	AC 2500V/1min	
Mechanical		
Ambient temperature	-40°C ~ +105°C	
Strip length	10mm	
Dimensions		
Pitch	5.00mm	
Poles	2P - 16P	
Material		
Housing	PA66 (UL94V-0)	
Contact	Phosphor Bronze	
Wire guard	Stainless steel	



Certification

**Pluggable Terminal Block /
Pitch 5.00mm**

Part No.: A14L003

Customer:

DRW:	Bill	CHKD	Lord	MATL:	Jimmy	TOLERANCE	Sam	DATE	22.05.2017
APPD:	Louis			FINISH	Georg		Sheet No.		1 from 3

www.edcon-components.com

email: info@edcon-components.com

EDCON-COMPONENTS



Ordering Informations

Serie	No. of Pos.	Body Color	Screw Type	Approval Code	ROHS	Packing	EDCON Cust. No.	Customer Version		
-------	-------------	------------	------------	---------------	------	---------	-----------------	------------------	--	--

A14L003	02	PG	N	N	R	B				
----------------	-----------	-----------	----------	----------	----------	----------	--	--	--	--

Pitch
5,00

02= Number of Standard 2 ~ 24Pos.	PG= Phoenix Green	N= No screw function	N= NON Approval A= UL /UR Approval Please consult EDCON for available	R= ROHS Conform N= NON ROHS Conform	B= Bulk- Ware I= Individual Package	xxxxxx= Customer Number	xxx= Customer Version ??(Printing)
	WH= White						
	GN= Green	B= VDE Approval Please consult EDCON for available					
	GY= Gray						
	LG= Light Gray						
	OR= Orange	C= TÜV Approval Please consult EDCON for available					
	BL= Blue						
BK= Black							

Pluggable Terminal Block / Pitch 5.00mm	
Part No.:	A14L003
Customer:	

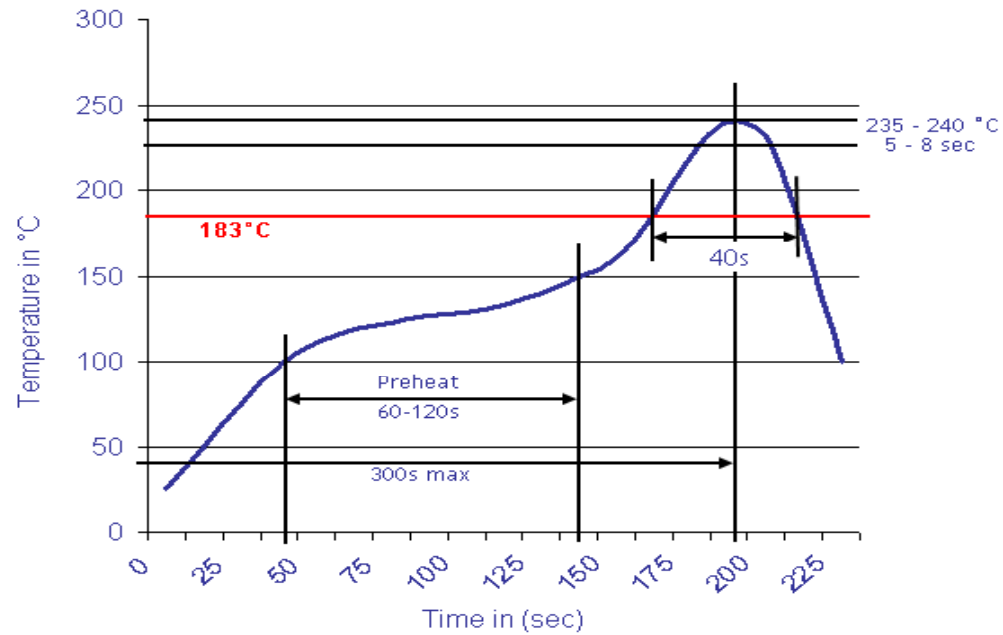
DRW:	Bill	CHKD	Lord	MATL:	Jimmy	TOLERANCE	Sam	DATE	22.05.2017
APPD:	Louis			FINISH	Georg			Sheet No.	2 from 3

EDCON-COMPONENTS



Soldering - Profil

Classification Reflow Profile (JEDEC J-STD-020C)



Pluggable Terminal Block / Pitch 5.00mm	
Part No.:	A14L003
Customer:	

DRW:	Bill	CHKD	Lord	MATL:	Jimmy	TOLERANCE	Sam	DATE	22.05.2017
APPD:	Louis			FINISH	Georg		Sheet No.	3 from 3	