

Data Sheet

Screwless Pluggable Terminal Block (Plug)

Pitch: 5,00 mm

Serie: A14L002

Customer Information for special Item

EDCON Customer : 0

Customer Version No. : 0

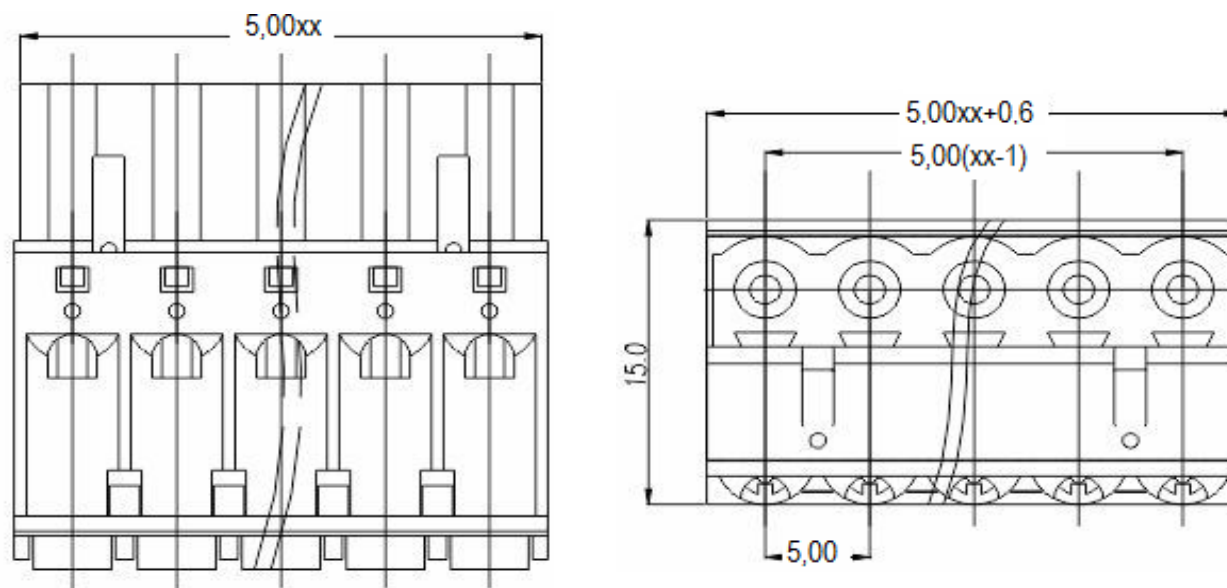
EDCON-COMPONENTS



Technical Discription

Electrical	UL	IEC
Rated Voltage	300Volt	320Volt
Rated Current	10A	16A
Wire Range	0,2 ~ 2,5mm ²	0,2 ~ 2,5mm ²
Wire Range AWG-Size	12 ~ 28	12 ~ 28
Withstanding Voltage	4,0KV Peak	
Insulation Resistance	5000MΩ / 1000V	
Mechanical		
Operating Temperature	-40°C ~ +105°C	
Wire Strip Length	8-9mm	
Dimensions		
Pitch (mm)	5,00	
Poles	2 ~ 24 Pos.	
Materials		
Terminal Housing	PA66 (UL94V-0)	
Contact:	Phosphor Bronze Nickel Plated	
Wire Guard	Stainless Steel	
Cage	Steel Ni Plated	

Drawing (Dimension in mm)

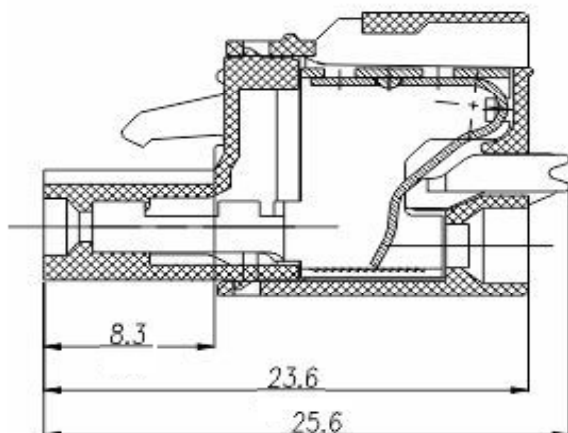


					Tolerances unless otherwise specified (mm)					Screwless Pluggable Terminal Block (Plug)	
					X=	X.X=	X.XX=	X.XXX=	Angle=		
DRW:	Jason	CHKD	Wilson	MATL:	±0,35	±0,25	±0,20	±0,15	±5°	Customer:	
APPD:	Schumi			FINISH	Wilson	TOLERANCE	Mason	DATE	13.02.2020		
					Jamy		Sheet No.				

EDCON-COMPONENTS



Dimension Tolerance (mm)



No. of Pos.	A	Tol. A	B	Tol. B
02	10,00	± 0,10	5,00	± 0,10
03	15,00	± 0,10	10,00	± 0,10
04	20,00	± 0,10	15,00	± 0,10
05	25,00	± 0,10	20,00	± 0,10
06	30,00	± 0,10	25,00	± 0,10
07	35,00	± 0,10	30,00	± 0,10
08	40,00	± 0,10	35,00	± 0,10
09	45,00	± 0,20	40,00	± 0,20
10	50,00	± 0,20	45,00	± 0,20
11	55,00	± 0,20	50,00	± 0,20
12	60,00	± 0,20	55,00	± 0,20
13	65,00	± 0,20	60,00	± 0,20
14	70,00	± 0,20	65,00	± 0,20
15	75,00	± 0,20	70,00	± 0,20
16	80,00	± 0,20	75,00	± 0,20
17	85,00	± 0,30	80,00	± 0,30
18	90,00	± 0,30	85,00	± 0,30
19	95,00	± 0,30	90,00	± 0,30
20	100,00	± 0,30	95,00	± 0,30
21	105,00	± 0,30	100,00	± 0,30
22	110,00	± 0,30	105,00	± 0,30
23	115,00	± 0,30	110,00	± 0,30
24	120,00	± 0,30	115,00	± 0,30

Screwless Pluggable Terminal Block (Plug)

Part No.: **A14L002**

Customer:

DRW:	Jason	CHKD	Wilson	MATL:	Wilson	TOLERANCE	Mason	DATE	13.02.2020
APPD:	Schumi			FINISH	Jamy		Sheet No.	2 from 3	

EDCON-COMPONENTS



Ordering Informations

Serie	No. of Pos.	Body Color	Special Function	Approval Code	ROHS	Packing	EDCON Cust. No.	Customer Version		
-------	-------------	------------	------------------	---------------	------	---------	-----------------	------------------	--	--

A14L002	02	PG	N	N	R	B				
----------------	-----------	-----------	----------	----------	----------	----------	--	--	--	--

Pitch 5,00	02 = Number of Pos. Standard 2 ~ 24Pos.	PG = Phoenix Green (Standard) WH = White GN = Green GY = Gray LG = Light Gray OR = Orange BL = Blue BK = Black	N = No function	N = NON Approval A = UL /UR Approval Please consult EDCON for available B = VDE Approval Please consult EDCON for available C = TÜV Approval Please consult EDCON for available	R = ROHS Conform N = NON ROHS Conform	B = Bulk-Ware I = Individual Package	xxxxxx = Customer Number	xxx = Customer Version ??(Printing)		
---------------	---	---	------------------------	--	--	---	---------------------------------	--	--	--

Screwless Pluggable Terminal Block (Plug)

Standard Body Colour Like Ordering Information / Other Colours MOQ on request

Part No.: **A14L002**

DRW:	Jason	CHKD	Wilson	MATL:	Wilson	TOLERANCE	Mason	DATE	13.02.2020
APPD:	Schumi			FINISH	Jamy		Sheet No.		3 from 3

Customer: