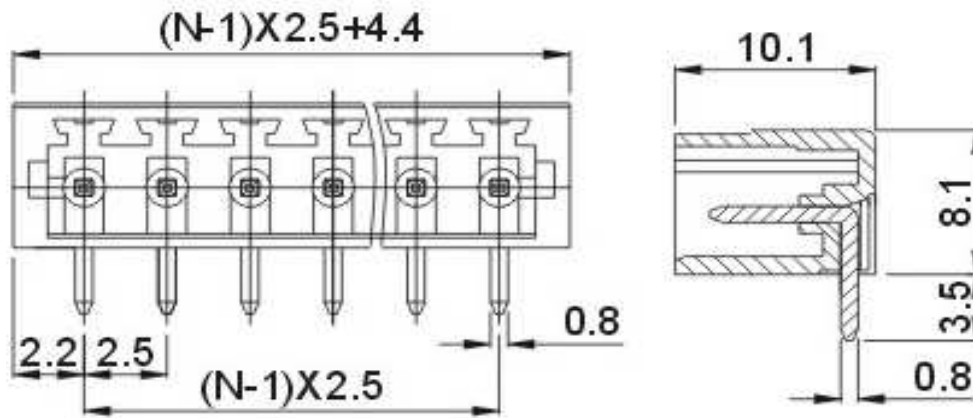


EDCON-COMPONENTS



Drawing



Specification

APPROVAL

(RU) pending

CE

Electrical

Standard
Rated voltage
Rated current
Withstanding voltage

UL	IEC
125V	130V
4A	10A
AC 1250V/1min	

Mechanical

Ambient temperature

-40°C ~ +105°C

Dimensions

Pitch
Poles

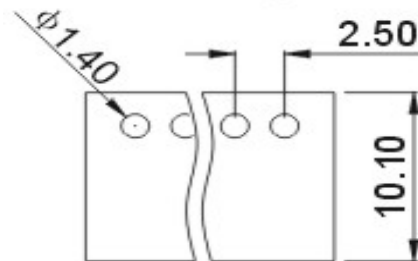
2.5mm
2P - 12P

Material

Housing
Pin header

PA66 (UL94V-0)
Brass, Tin plated

P.C.B. Layout



Certification



Pluggable Terminal Block /
Pitch 2.50mm

Part No.: A14E008

Customer:

DRW:	Justin	CHKD	Frank	MATL:	Jordan	TOLERANCE	Lord	Date	10.10.2009
APPD:	Pete			FINISH	Mike			Sheet No.	1 from 3

www.edcon-components.com

email: info@edcon-components.com

EDCON-COMPONENTS



Ordering Informations

Serie	-	No. of Pole	Body-Color	-	Customer Request
-------	---	-------------	------------	---	------------------

A14E008	-	XX	XX	-	X
		XX = total	WH - white		
		02	GN - green		
		...	GR - gray		
		12	TP - transparent		
			OR - orange		
			BK - black		
			BL - blue		
			RD - red		
			YW - yellow		
			PG - Phoenix Green		



Certification



Pluggable Terminal Block / Pitch 2.50mm	
Part No.:	A14E008
Customer:	

DRW:	Justin	CHKD:	Frank	MATL:	Jordan	TOLERANCE:	Lord	Date:	10.10.2009
APPD:	Pete	FINISH:	Mike				Sheet No.:		2 from 3

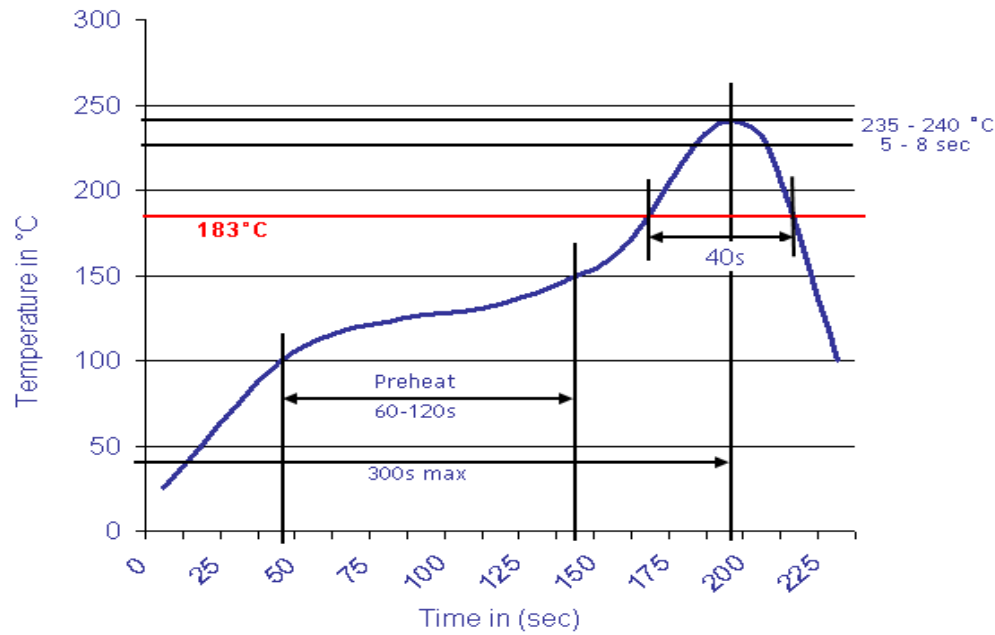
www.edcon-components.com

email: info@edcon-components.com



Soldering - Profil

Classification Reflow Profile (JEDEC J-STD-020C)



Pluggable Terminal Block / Pitch 2.50mm	
Part No.:	A14E008
Customer:	

DRW:	Justin	CHKD	Frank	MATL:	Jordan	TOLERANCE	Lord	Date	10.10.2009
APPD:	Pete			FINISH	Mike			Sheet No.	3 from 3