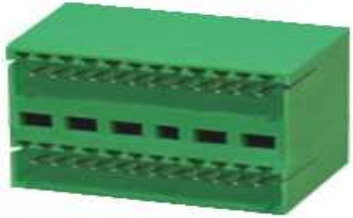
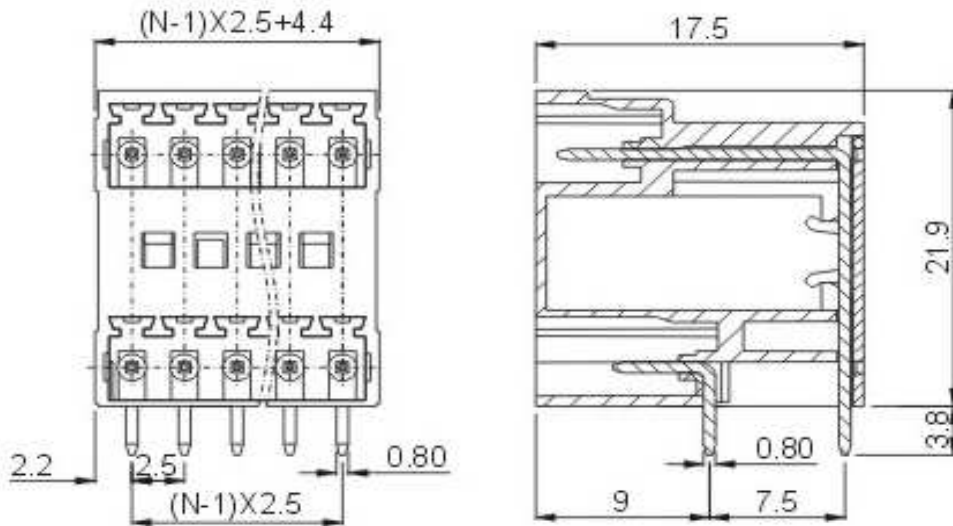


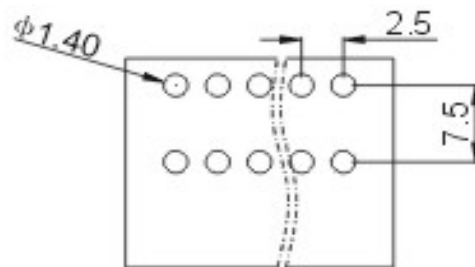
EDCON-COMPONENTS



Drawing



P.C.B. Layout



Specification

Electrical

Standard	UL	IEC
Rated voltage	125V	130V
Rated current	4A	10A
Withstanding voltage	AC 1250V/1min	

Mechanical

Operating temperature	-40°C ~ +105°C
-----------------------	----------------

Dimensions

Pitch	2.5mm
Poles	2 x (2P - 12P)

Material

Housing	PA66 (UL94V-0)
Pin header	Brass, Tin plated



Pluggable Terminal Block /
Pitch 2.50mm

Part No.: A14E006

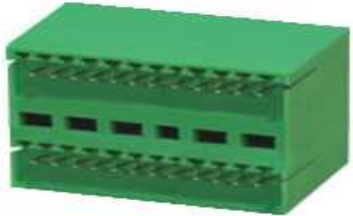
Customer:

DRW:	Justin	CHKD	Frank	MATL:	Jordan	TOLERANCE	Lord	Date	10.10.2009
APPD:	Pete			FINISH	Mike			Sheet No.	1 from 3

www.edcon-components.com

email: info@edcon-components.com

EDCON-COMPONENTS



Ordering Informations

Serie	-	No. of Pole	Body-Color	-	Customer Request
A14E006	-	XX	XX	-	X
		XX = total	WH - white		
		02	GN - green		
		...	GR - gray		
		12	TP - transparent		
			OR - orange		
			BK - black		
			BL - blue		
			RD - red		
			YW - yellow		
			PG - Phoenix Green		

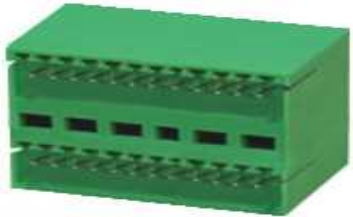


Pluggable Terminal Block / Pitch 2.50mm	
Part No.:	A14E006
Customer:	

DRW:	Justin	CHKD	Frank	MATL:	Jordan	TOLERANCE	Lord	Date	10.10.2009
APPD:	Pete			FINISH	Mike		Sheet No.		2 from 3

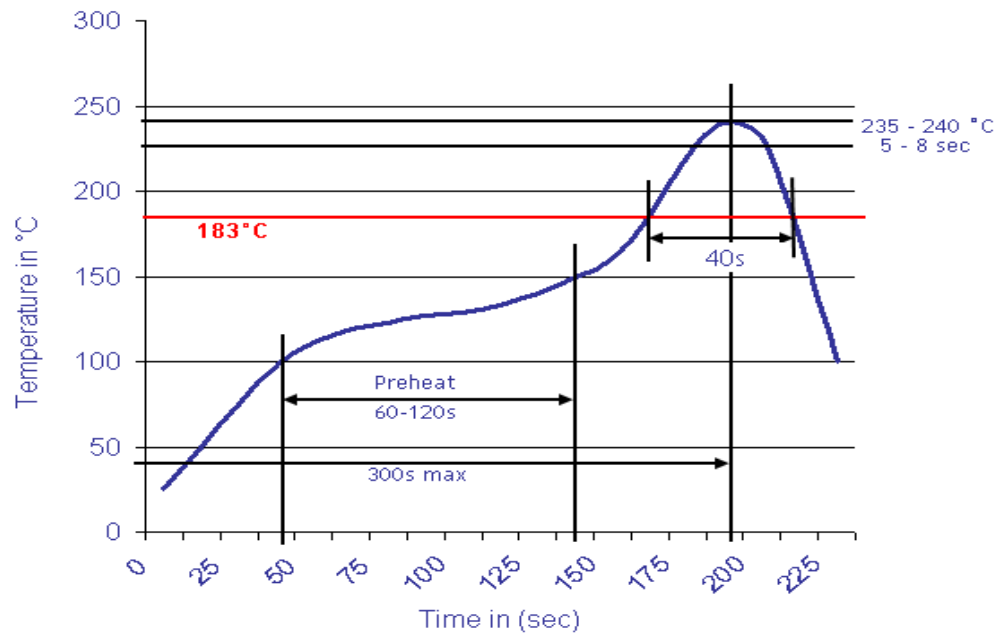
www.edcon-components.com

email: info@edcon-components.com



Soldering - Profil

Classification Reflow Profile (JEDEC J-STD-020C)



Pluggable Terminal Block / Pitch 2.50mm	
Part No.:	A14E006
Customer:	

DRW:	Justin	CHKD	Frank	MATL:	Jordan	TOLERANCE	Lord	Date	10.10.2009
APPD:	Pete			FINISH	Mike			Sheet No.	3 from 3