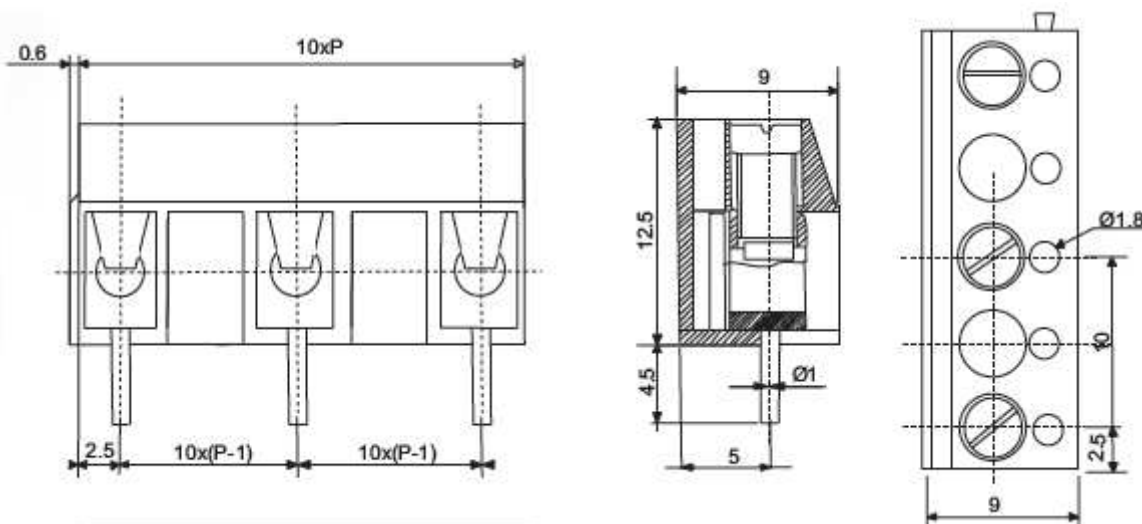
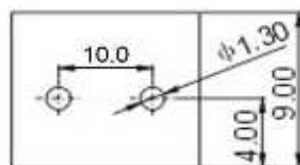




Drawing



P.C.B. Layout



Specification

APPROVAL



Electrical

Standard
 Rated voltage
 Rated current
 Wire range
 Withstanding voltage

UL	IEC
300V	250V
10A	24A
22-14 AWG	2.5mm ²
AC2000V/1Min	

Mechanical

Ambient temperature
 Strip length
 Screw, Torque

-30°C ~ +120°C
 5 ~ 6mm
 M3, 0.5Nm (4.4Lb-In.)

Dimensions

Pitch
 Poles

5.00mm
 2P, 3P-24P

Material

Housing
 Pin header
 Screw
 Wire guard

PBT (UL94V-0)
 Brass, Tin plated
 steel, Cr³⁺ Zn plated
 Stainless steel



Certification

Wire Protector Terminal Block /
 Pitch 10.00mm

Part No.: A12T012

Customer:

DRW:	Bill	CHKD	Lord	MATL:	Jimmy	TOLERANCE	Sam	DATE	12.10.2015
APPD:	Louis			FINISH	Georg			Sheet No.	1 from 3

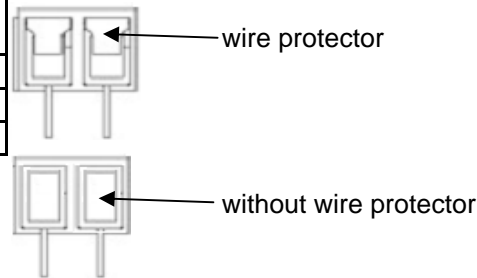
EDCON-COMPONENTS



Ordering Informations

Serie	-	No. of Pole	Body-Color	wire protector	Screw	-	Customer Request
A12T012	-	XX	XX	X	X	-	X

XX = total	WH - white	1 - with wire protector	A - Slotted screw (standard)
	GN - green	2 - without wire protector	B - Cross-slotted screw
	GR - gray		
	LG - light gray		
	PG - Phoenix Green		
	OR - orange		
BL - blue			
BK - black			



Certification

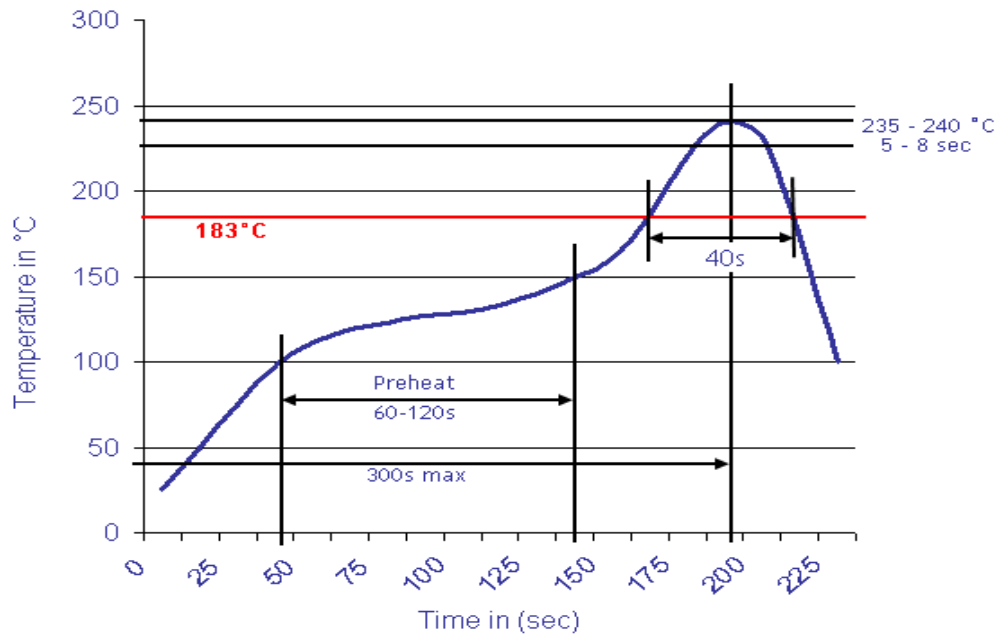
Wire Protector Terminal Block / Pitch 10.00mm	
Part No.:	A12T012
Customer:	

DRW:	Bill	CHKD	Lord	MATL:	Jimmy	TOLERANCE	Sam	DATE	12.10.2015
APPD:	Louis			FINISH	Georg			Sheet No.	2 from 3



Soldering - Profil

Classification Reflow Profile (JEDEC J-STD-020C)



Wire Protector Terminal Block /
Pitch 10.00mm

Part No.: A12T012

Customer:

DRW:	Bill	CHKD	Lord	MATL:	Jimmy	TOLERANCE	Sam	DATE	12.10.2015
APPD:	Louis			FINISH	Georg		Sheet No.	3 from 3	