

Data Sheet

Pluggable Terminal Block Pitch 5,00mm

Pitch: 5,00 mm

Serie: A12L059

Customer Information for special Item

EDCON Customer : xxxxxx

Customer Version No. : xx

EDCON-COMPONENTS



Technical Discription

Electrical:

Rated voltage:
Rated current:
Withstanding Voltage: AC/1min:
Operating Temperature:

UL	IEC	VDE
300V	250V	
2A	4A	
2000V		

-40°C ~ +125°C

Mechanical:

Wire range: Solid wire: AWG
Wire range: Stranded wire:AWG

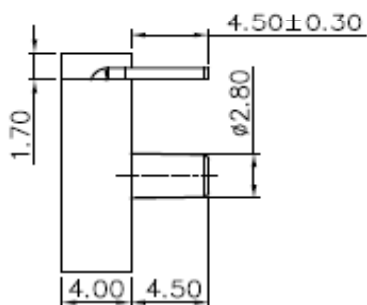
0,14~0,5mm	
0,14~0,5mm	

Material:

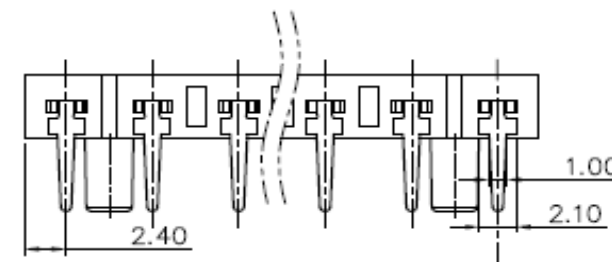
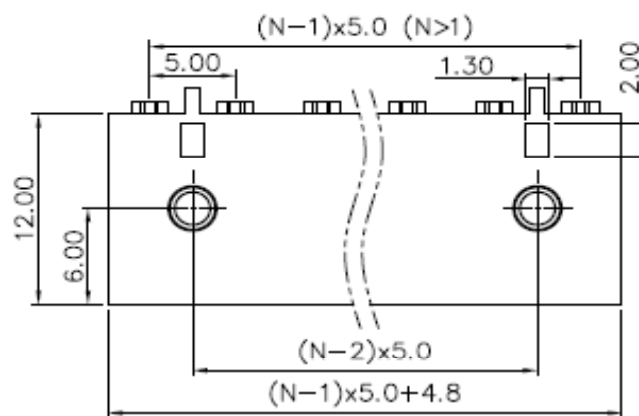
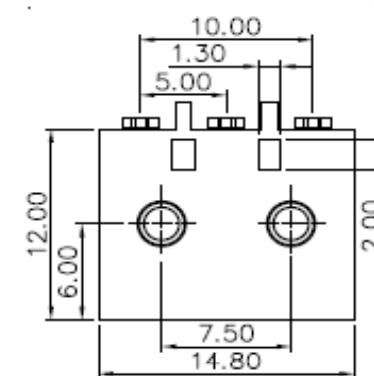
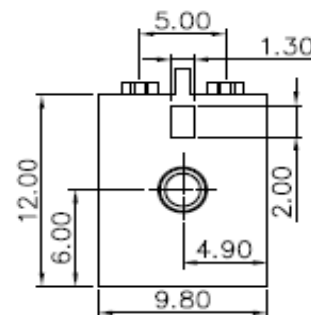
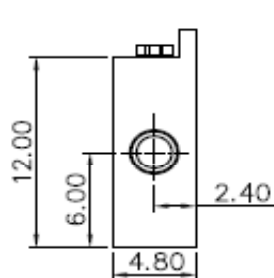
Housing Terminal Body: Thermoplastik UL94V-0

Material Contact

Phosphor Bronze / Tin plated



Drawing (Dimension in mm)



DRW:	Jason	CHKD	Wilson
APPD:	Schumi		

MATL:

FINISH

Tolerances unless otherwise specified (mm)				
x	x.X	x.XX	x.XXX	Angle
±	±	±	±	±3°
Wilson	TOLERANCE	Mason	DATE	10.10.2019
Jamy			Sheet No.	1 from 4

**Pluggable Terminal Block Pitch
5,00mm**

Part No.: **A12L059**

Customer:

www.edcon-components.com

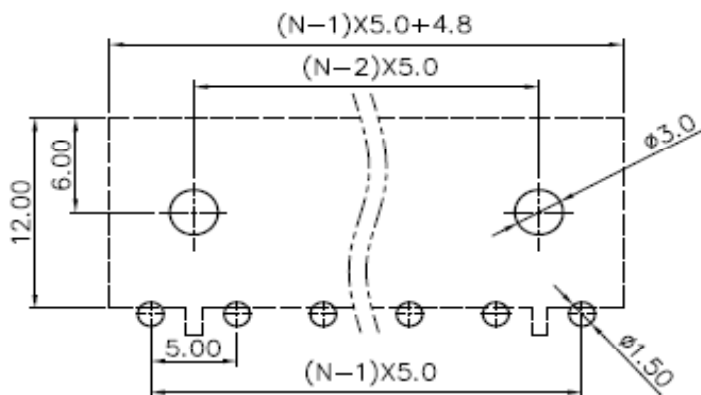
email: info@edcon-components.com

EDCON-COMPONENTS



PCB Layout Dimension (mm)

Bottom-VIEW



Dimensions (mm)

N	Tol. N	N1	Tol. N1	No. of Pos.
10,00	± 0,35	9,80	± 0,35	02
15,00	± 0,35	14,80	± 0,35	03
20,00	± 0,35	19,80	± 0,35	04
25,00	± 0,35	24,80	± 0,35	05
30,00	± 0,35	29,80	± 0,35	06
35,00	± 0,35	34,80	± 0,35	07
40,00	± 0,35	39,80	± 0,35	08
45,00	± 0,35	44,80	± 0,35	09
50,00	± 0,35	49,80	± 0,35	10
55,00	± 0,35	54,80	± 0,35	11
60,00	± 0,35	59,80	± 0,35	12
65,00	± 0,35	64,80	± 0,35	13
70,00	± 0,35	69,80	± 0,35	14
75,00	± 0,35	74,80	± 0,35	15
80,00	± 0,35	79,80	± 0,35	16
85,00	± 0,35	84,80	± 0,35	17
90,00	± 0,35	89,80	± 0,35	18

**Pluggable Terminal Block Pitch
5,00mm**

Part No.: **A12L059**

Customer:

DRW:	Jason	CHKD	Wilson	MATL:	Wilson	TOLERANCE	Mason	DATE	10.10.2019
APPD:	Schumi			FINISH	Jamy		Sheet No.		2 from 4

EDCON-COMPONENTS



Ordering Informations

Serie	No. of Pos.	Body Color	Srew Type	Approval Code	ROHS	Packing	EDCON Cust. No.	Customer Version		
-------	-------------	------------	-----------	---------------	------	---------	-----------------	------------------	--	--

A12L059	02	NA	N	N	R	B	xxxxxx	xx		
----------------	-----------	-----------	----------	----------	----------	----------	---------------	-----------	--	--

Pitch 5,00	02= Number of Pos.	NA= Natural		N= NON Approval	R= ROHS Conform	B= Standard Package Box/ Polybag I= Individual Package	xxxxxx= Customer Number	xx= Customer Version (Printing) ??
	Standard 2 ~ 18Pos.			N= NON ROHS Conform				
			N= no Function					

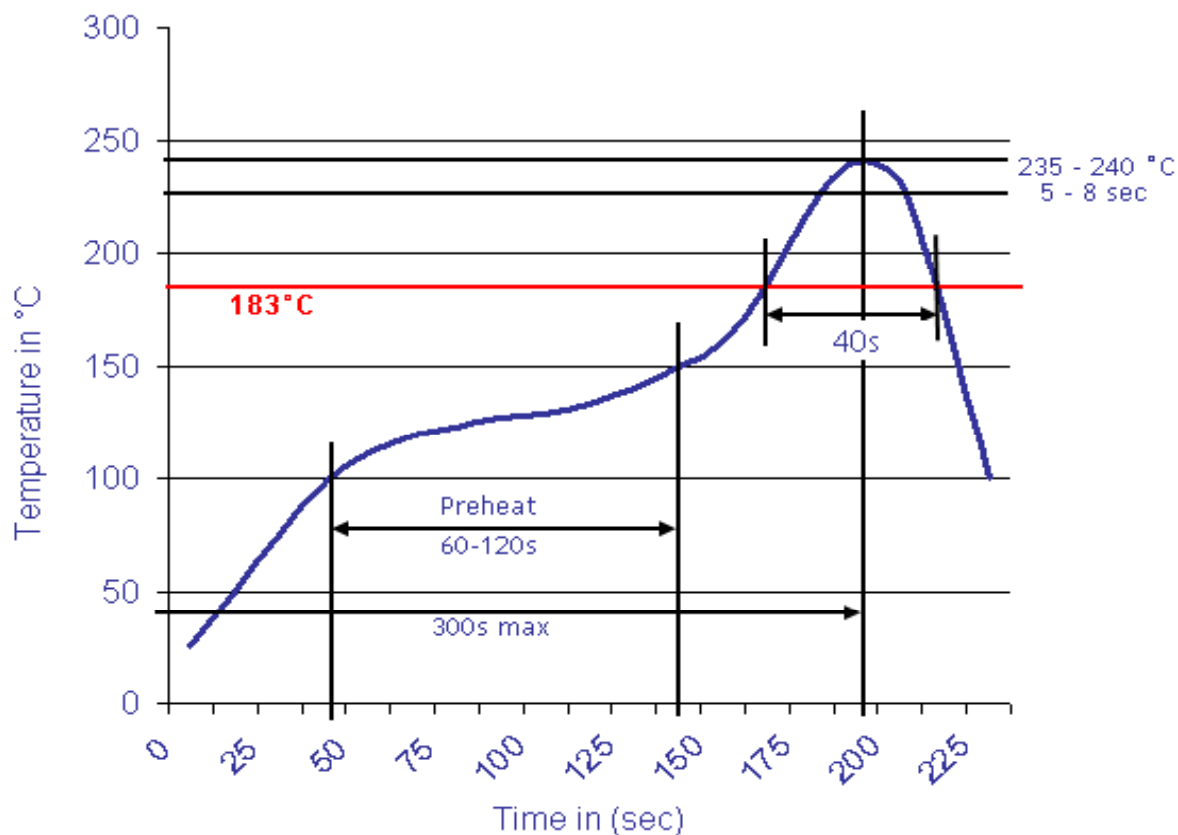
Pluggable Terminal Block Pitch 5,00mm	
Part No.:	A12L059
Customer:	

DRW:	Jason	CHKD	Wilson	MATL:	Wilson	TOLERANCE	Mason	DATE	10.10.2019
APPD:	Schumi			FINISH	Jamy		Sheet No.		3 from 4



Soldering Profile Curve

Classification Reflow Profile (JEDEC J-STD-020C)



**Pluggable Terminal Block Pitch
5,00mm**

Part No.: **A12L059**

Customer:

DRW:	Jason	CHKD	Wilson	MATL:	Wilson	TOLERANCE	Mason	DATE	10.10.2019
APPD:	Schumi			FINISH	Jamy		Sheet No.	4 from 4	

