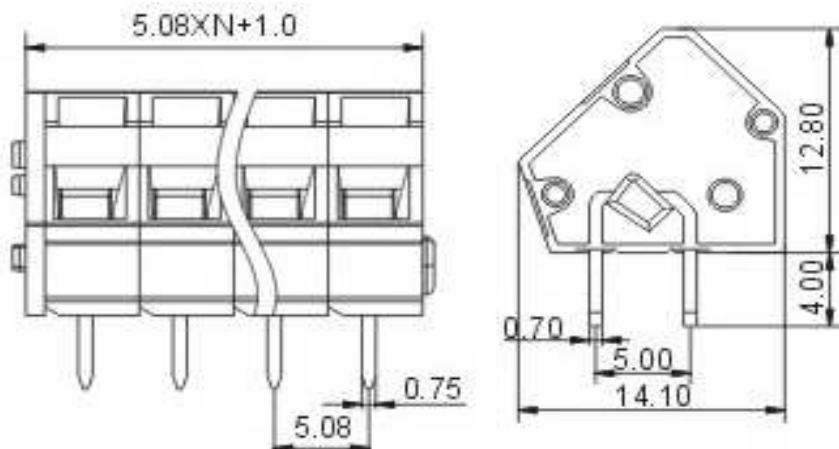


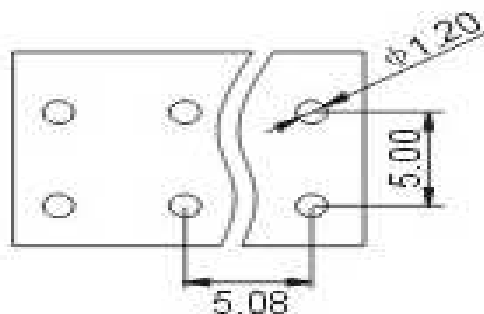
EDCON-COMPONENTS



Drawing



P.C.B. Layout



Specifications

APPROVAL

Electrical

Standard
 Rated voltage
 Rated current
 Wire range
 Withstanding voltage



UL	IEC
300V	450V, 750V, 1000V
15A	17A
28-12 AWG	0.2-2.5mm ²
AC2000V/1Min	

Mechanical

Wire strip length
 Operating temperature

5 ~ 6mm
 -40°C ~ +105°C

Dimensions

Pitch
 Poles

5.08mm
 1P - xxP

Material

Housing
 Pin header
 Wire guard

PA66 (UL94V-0)
 Phosphor Bronze, Tin plated
 Stainless steel



Certification



Screwless Terminal Block /
 Pitch 5.08mm

Part No.: **A11M006**

DRW:	Jason	CHKD	Wilson	MATL:	Wilson	TOLERANCE	Mason	DATE	14.07.2009
APPD:	Schumi			FINISH	Jamy			Sheet No.	1 from 3

Customer:

email: info@edcon-components.com

www.edcon-components.com



Ordering Informations

Serie	-	No. of Pole	Body-Color	-	Customer Request
A11M006	-	XX	XX	-	X

XX = total	WH - white
	GN - green
	GR - gray
	PG - Phoenix Green
	OR - orange
	BK - black
	BL - blue
	LG - light gray



Certification



Screwless Terminal Block /
Pitch 5.08mm

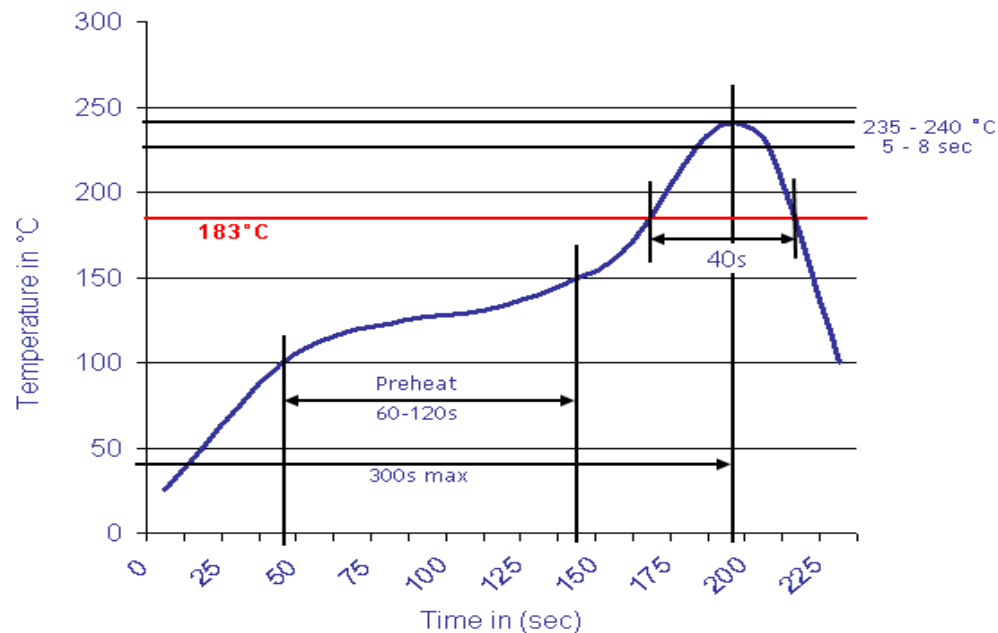
Part No.: **A11M006**

DRW:	Jason	CHKD	Wilson	MATL:	Wilson	TOLERANCE	Mason	DATE	14.07.2009	Customer:
APPD:	Schumi			FINISH	Jamy		Sheet No.	2 from 3		



Soldering - Profil

Classification Reflow Profile (JEDEC J-STD-020C)



Screwless Terminal Block /
Pitch 5.08mm

Part No.: **A11M006**

DRW:	Jason	CHKD	Wilson	MATL:	Wilson	TOLERANCE	Mason	DATE	14.07.2009
APPD:	Schumi			FINISH	Jamy		Sheet No.		3 from 3

Customer:

email: info@edcon-components.com