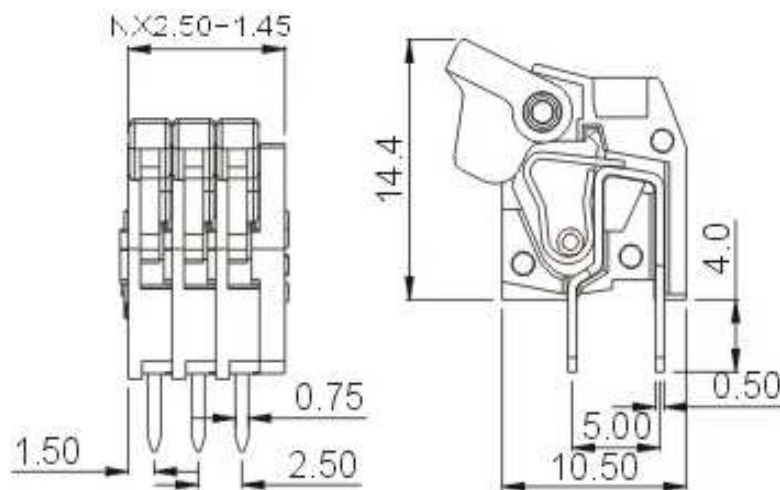
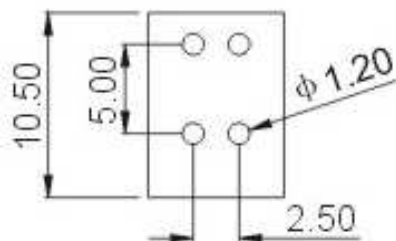




Drawing



P.C.B. Layout



Specifications

APPROVAL



Electrical

Standard
Rated voltage
Rated current
Wire range
Withstanding voltage

UL	IEC
150V	130V
4A	6A
28-20 AWG	0.5mm ²
AC1250V/1min	

Mechanical

Ambient temperature
Strip length

-40°C ~ +105°C
5 - 6mm

Dimensions

Pitch
Poles

2.5mm
1P-xxP

Material

Housing
Pin header
Wire guard

PA66 (UL94V-0)
Phosphor Bronze, Tin plated
Stainless steel



Certification



Screwless Terminal Block

Pitch 2.50mm

Part No.: **A11E007**

DRW:	Jason	CHKD	Wilson	MATL:	Wilson	TOLERANCE	Mason	DATE	17.07.2009
APPD:	Schumi			FINISH	Jamy		Sheet No.	1 from 3	Customer:



Ordering Informations

Serie	-	No. of Pole	Body-Color	-	Customer Request
A11E007	-	XX	XX	-	X

XX = total	WH - white
	GN - green
	GR - gray <i>(standard)</i>
	PG - Phoenix Green
	OR - orange <i>(standard)</i>
	BK - black
	BL - blue
	LG - light gray



Certification



Screwless Terminal Block
Pitch 2.50mm

Part No.: **A11E007**

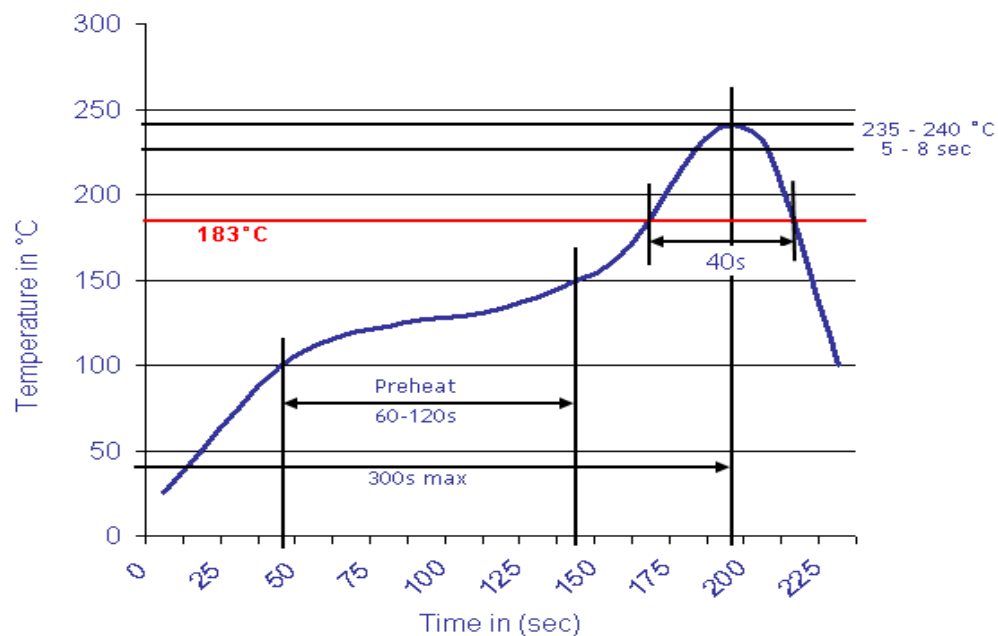
DRW:	Jason	CHKD	Wilson	MATL:	Wilson	TOLERANCE	Mason	DATE	17.07.2009
APPD:	Schumi			FINISH	Jamy		Sheet No.		2 from 3

Customer:



Soldering - Profil

Classification Reflow Profile (JEDEC J-STD-020C)



Screwless Terminal Block
Pitch 2.50mm

Part No.: **A11E007**

DRW:	Jason	CHKD	Wilson	MATL:	Wilson	TOLERANCE	Mason	DATE	17.07.2009
APPD:	Schumi			FINISH	Jamy		Sheet No.		3 from 3

Customer:

