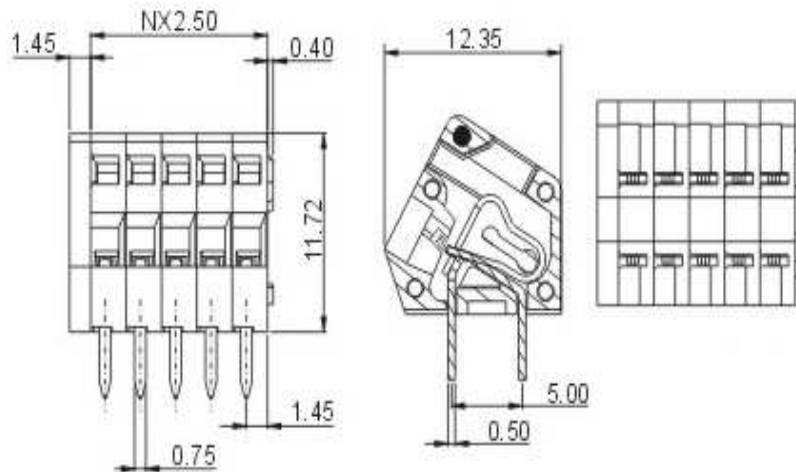
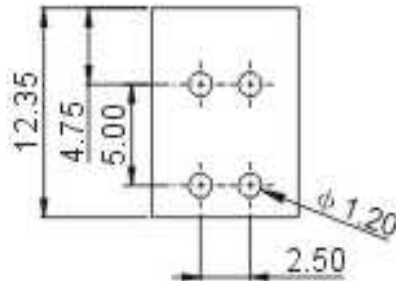


Drawing



P.C.B. Layout



Specifications

APPROVAL



Electrical

Standard	UL	IEC
Rated voltage	150V	130V
Rated current	4A	6A
Wire range	28-20 AWG	0.5mm ²
Withstanding voltage	AC1250V/1min	

Mechanical

Operating temperature	-40°C ~ +105°C
Strip length	5 ~ 6mm

Dimensions

Pitch	2.50mm
Poles	1P - xxP

Material

Housing	PA66 (UL94V-0)
Pin header	Phosphor Bronze, Tin plated
Wire guard	Stainless steel



Certification

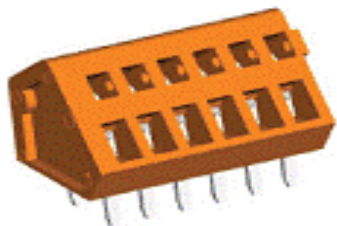


Screwless Terminal Block

Pitch 2.50mm

Part No.: **A11E001**

DRW:	Jason	CHKD	Wilson	MATL:	Wilson	TOLERANCE	Mason	DATE	14.07.2009
APPD:	Schumi			FINISH	Jamy		Sheet No.	1 from 3	Customer:



Ordering Informations

Serie	-	No. of Pole	Body-Color	-	Customer Request
A11E001	-	XX	XX	-	X

XX = total	WH - white
	GN - green
	GR - gray <i>(standard)</i>
	PG - Phoenix Green
	OR - orange <i>(standard)</i>
	BK - black
	BL - blue
	LG - light gray

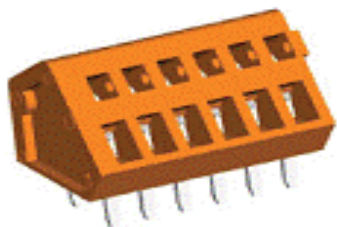


Certification



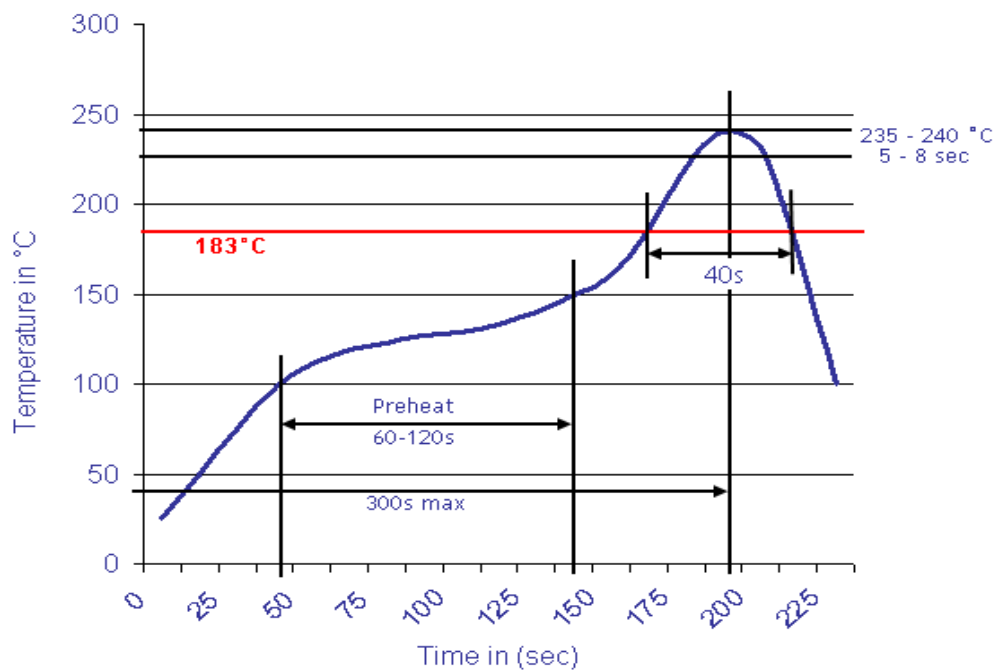
Screwless Terminal Block Pitch 2.50mm
Part No.: A11E001
Customer:

DRW:	Jason	CHKD	Wilson	MATL:	Wilson	TOLERANCE	Mason	DATE	14.07.2009
APPD:	Schumi			FINISH	Jamy		Sheet No.		2 from 3



Soldering - Profil

Classification Reflow Profile (JEDEC J-STD-020C)



Screwless Terminal Block
Pitch 2.50mm

Part No.: **A11E001**

DRW:	Jason	CHKD	Wilson	MATL:	Wilson	TOLERANCE	Mason	DATE	14.07.2009
APPD:	Schumi			FINISH	Jamy		Sheet No.	3 from 3	

Customer: