

Technical Specification

Insulator Material:	FR-Nylon 66 + 15% GF UL94V-0
Contact Resistance:	30m Ohm max.
Insulator Resistance:	5000 M Ohm max.
Temperature Rating:	.-55°C ~ +105°C
Contact Material:	Phosphor Bronze
Contact:	Tin Plated
Durability:	10 Cycles min.
Application for:	Coin Type
Battery Dimension:	D= 6,0mm / T=1,4mm

Ordering Information

Serie	Contact Material	Contact Plating	ROHS	Packing		
-------	------------------	-----------------	------	---------	--	--

B23026	PB	TN	R	TY		
---------------	-----------	-----------	----------	-----------	--	--

PB= Phosphor Bronze	TN= Tin plated	N= Non ROHS	TY= Tray
		R= ROHS Conform	

Battery Coin Cell Holder

Part No.: **B23026**

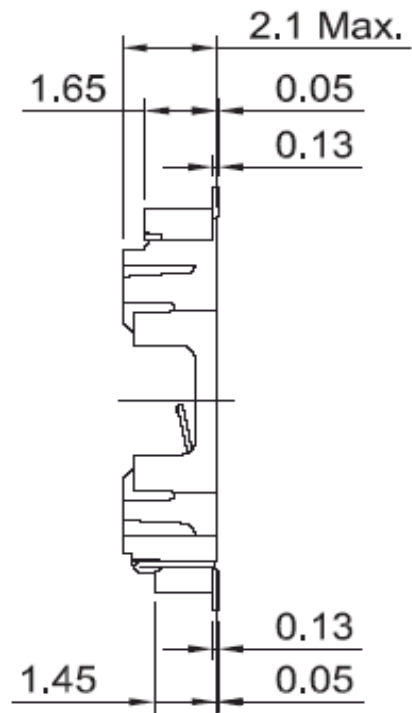
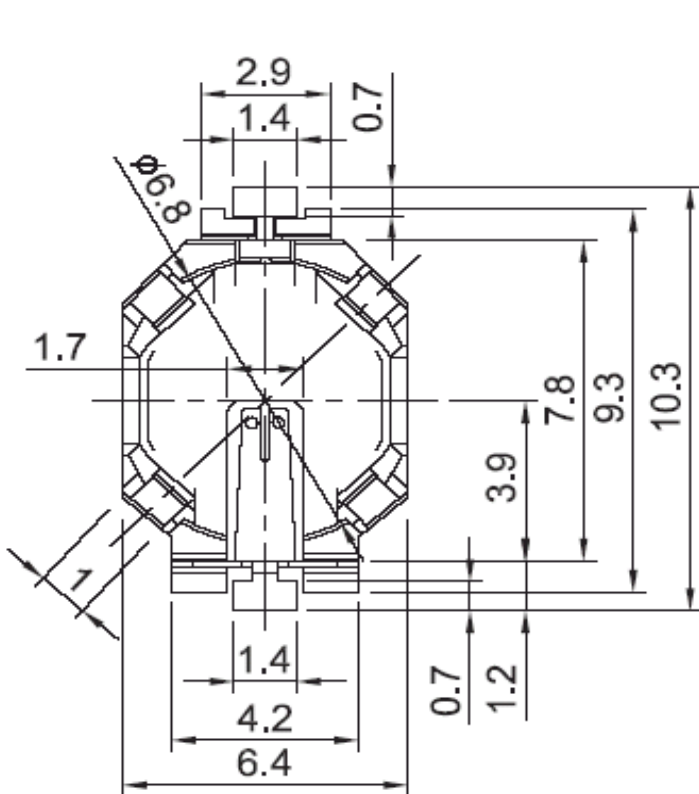
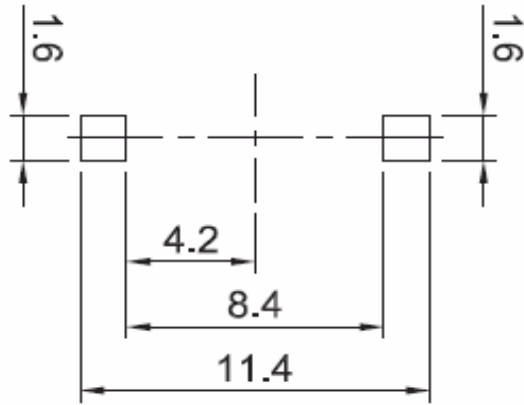
Customer:

DRW:	Jason	CHKD	Jules	MATL:	Wu	DATE	12.03.2011
APPD:	Join			FINISH	Shieh	Sheet	1 from 3



Technical Dimensions

PCB Layout

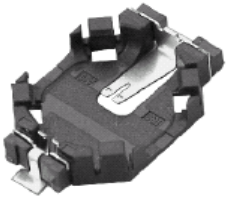


Battery Coin Cell Holder

Part No.: **B23026**

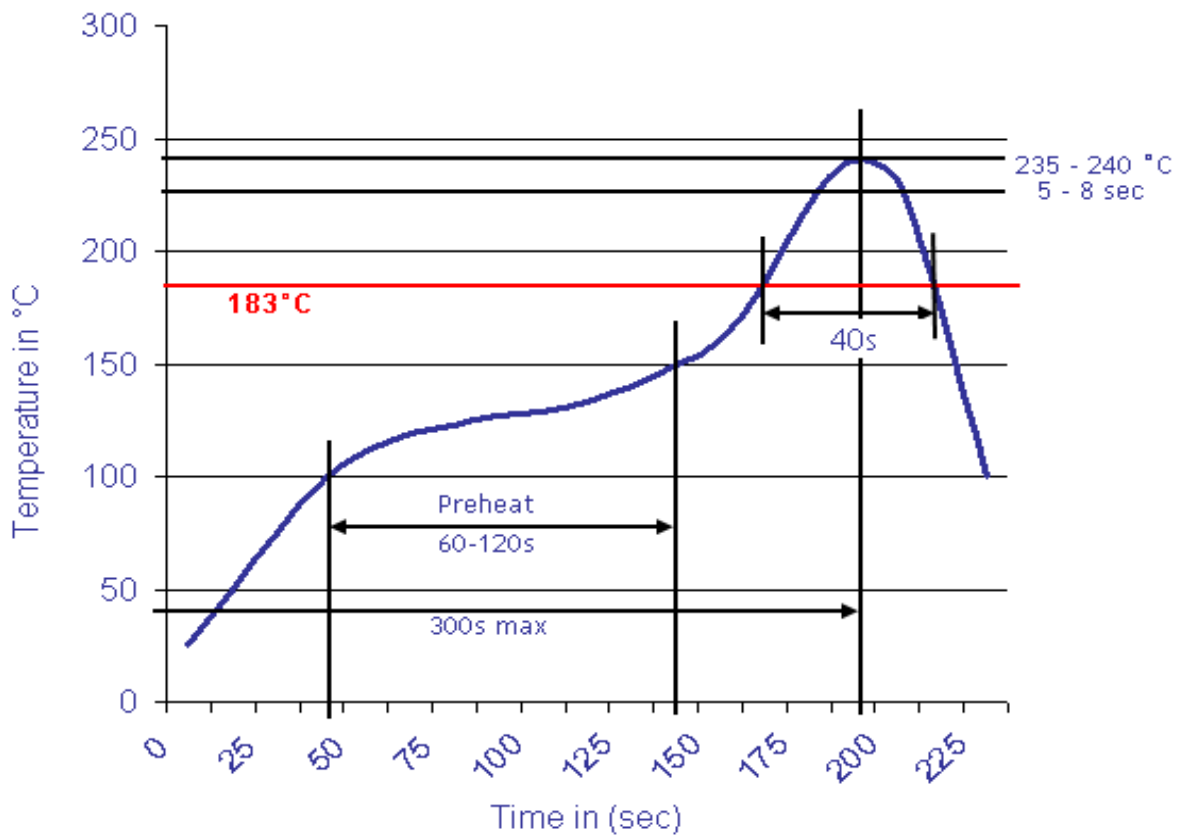
Customer:

DRW:	Jason	CHKD	Jules	MATL:	Wu	DATE	12.03.2011
APPD:	Join			FINISH	Shieh	Sheet	2 from 3



Soldering Profile Curve

Classification Reflow Profile (JEDEC J-STD-020C)



Battery Coin Cell Holder

Part No.: **B23026**

Customer:

DRW:	Jason	CHKD	Jules	MATL:	Wu	DATE	12.03.2011
APPD:	Join			FINISH	Shieh	Sheet	3 from 3