

EDCON-COMPONENTS



Technical Dimensions (mm)

- A 23,0mm +/-1mm
- B 22,0mm +/-1mm
- C 13,5mm +/-1mm
- D 36,0mm +/-1mm
- E 10,0mm +/-1mm

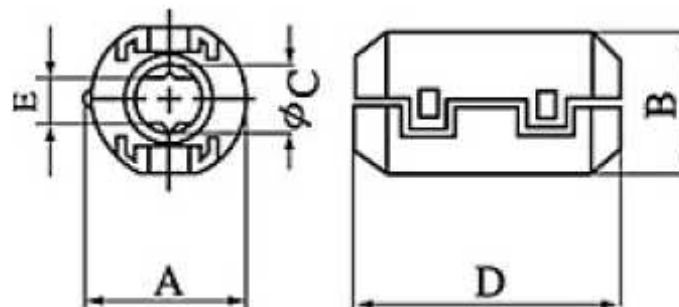
Applicable Diameter

12mm (max.)

Application

- Enclosures for Channel-type EMI suppressor snapes
- Internal and external power cables
- Internal cables between PC boards and data connectors

Drawing



Round Split Core Ferrit

Serie No.: **G25013**

Customer:

DRW:	Jason	CHKD	Wilson	MATL:	Wilson	TOLERANCE	Mason	DATE	02.05.2010
APPD:	Schumi			FINISH	Jamy		Sheet No.	1 from 2	

www.edcon-components.com

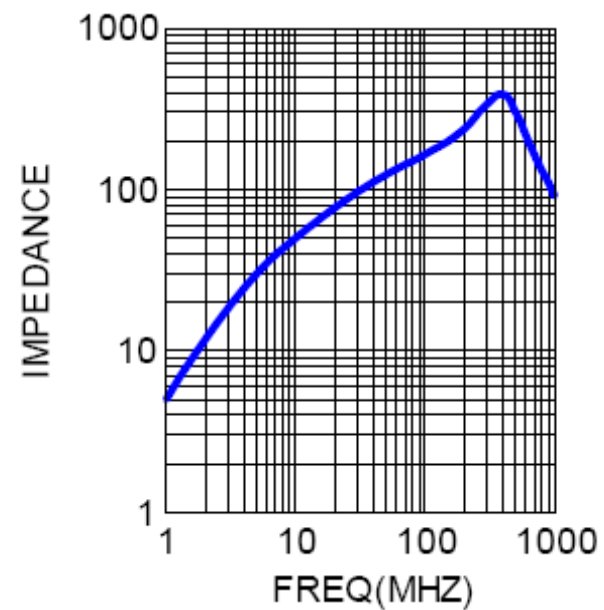
email: info@edcon-components.com



Impedance Specification Curve

Ordering Information

Serie	Material	ROHS	Packing
G25013	K5B	R	BX101
		R= ROHS Conform N= NON ROHS Conform	BX101= BoX 100 PCS IDxxx= Individual PCS



Round Split Core Ferrit

Serie No.: **G25013**

Customer:

DRW:	Jason	CHKD	Wilson	MATL:	Wilson	TOLERANCE	Mason	DATE	02.05.2010
APPD:	Schumi			FINISH	Jamy		Sheet No.	2 from 2	