

EDCON-COMPONENTS



Technical Dimensions (mm)

- A 23,0mm +/-1mm
- B 22,0mm +/-1mm
- C 5,0mm +/-1mm
- D 36,0mm +/-1mm
- E 10,0mm +/-1mm

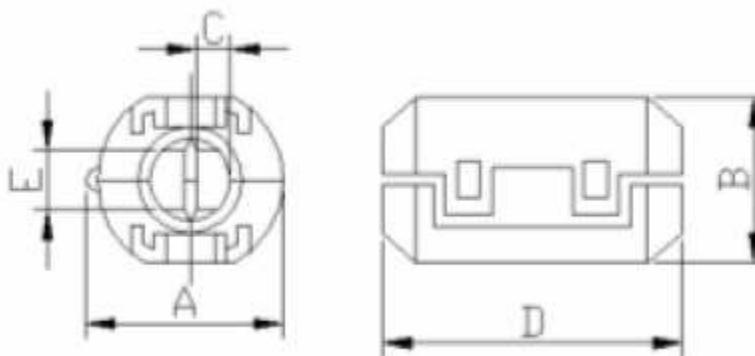
Applicable Diameter

4x1,5mm (max.)

Application

Enclosures for Channel-type EMI suppressor snapes
 Internal and external power cables
 Internal cables between PC boards and data connectors

Drawing



Round Split Core Ferrit

Serie No.: **G25012**

Customer:

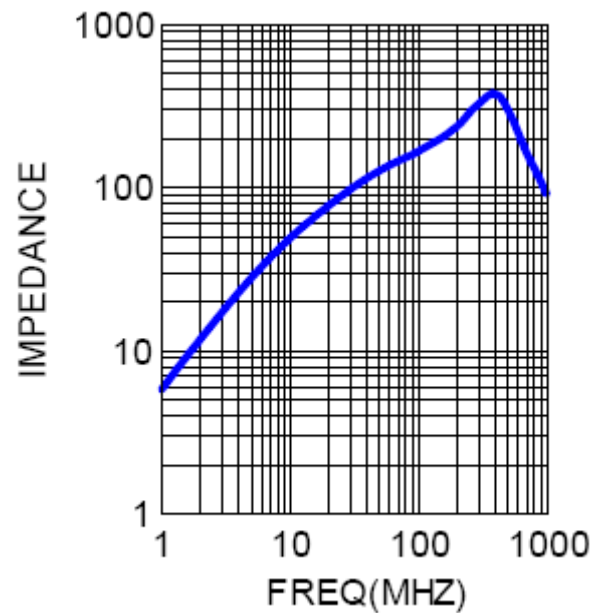
DRW:	Jason	CHKD	Wilson	MATL:	Wilson	TOLERANCE	Mason	DATE	02.05.2010
APPD:	Schumi			FINISH	Jamy		Sheet No.	1 from 2	

www.edcon-components.com

email: info@edcon-components.com



Impedance Specification Curve



Ordering Information

Serie	Material	ROHS	Packing
G25012	K5B	R	BX101
		R= ROHS Conform N= NON ROHS Conform	BX101= BoX 100 PCS IDxxx= Individual PCS

Round Split Core Ferrit

Serie No.: **G25012**

Customer:

DRW:	Jason	CHKD	Wilson	MATL:	Wilson	TOLERANCE	Mason	DATE	02.05.2010
APPD:	Schumi			FINISH	Jamy		Sheet No.	2 from 2	