

# EDCON-COMPONENTS



## Technical Dimensions (mm)

- A 17,0mm +/-1mm
- B 15,0mm +/-1mm
- C 7,0mm +/-1mm
- D 30,0mm +/-1mm
- E 3mm +/-1mm

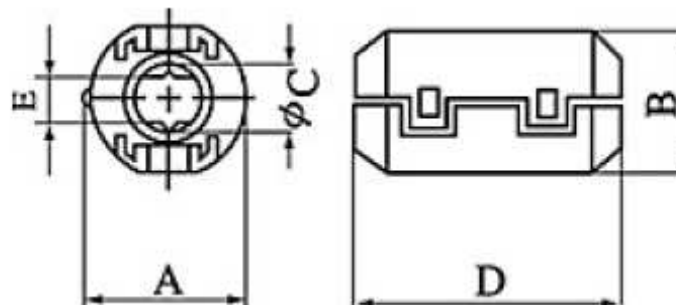
## Applicable Diameter

4,0mm (max.)

## Application

- Enclosures for Channel-type EMI suppressor snapes
- Internal and external power cables
- Internal cables between PC boards and data connectors

## Drawing



## Round Split Core Ferrit

Serie No.: **G25003**

Customer:

DRW:	Jason	CHKD	Wilson	MATL:	Wilson	TOLERANCE	Mason	DATE	02.05.2010
APPD:	Schumi			FINISH	Jamy		Sheet No.	1 from 2	

[www.edcon-components.com](http://www.edcon-components.com)

email: [info@edcon-components.com](mailto:info@edcon-components.com)

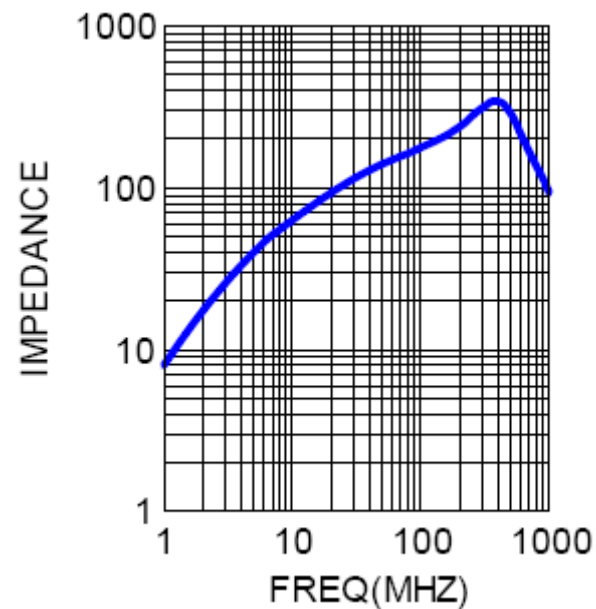
# EDCON-COMPONENTS



## Impedance Specification Curve

### Ordering Information

Serie	Material	ROHS	Packing
G25003	K5B	R	BX101
		R= ROHS Conform N= NON ROHS Conform	BX101= BoX 100 PCS IDxxx= Individual PCS



**Round Split Core Ferrit**

Serie No.: **G25003**

Customer:

DRW:	Jason	CHKD	Wilson	MATL:	Wilson	TOLERANCE	Mason	DATE	02.05.2010
APPD:	Schumi			FINISH	Jamy		Sheet No.	2 from 2	