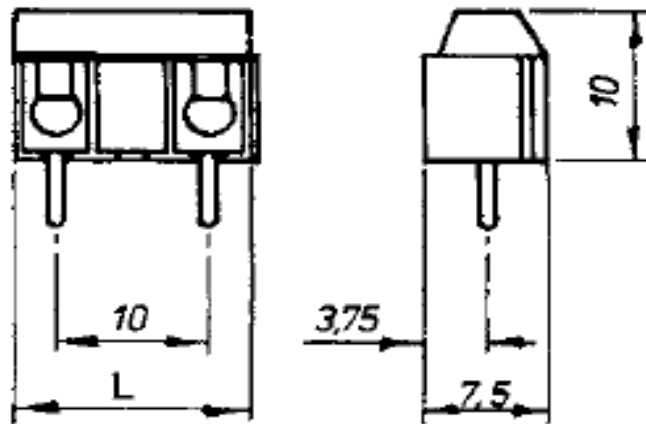


EDCON-COMPONENTS



Drawing



P.C.B. Layout

Specification

Electrical

Rated voltage	300V
Rated current	16A
Wire range	30-14 AWG / 1.5mm ²
Contact resistance	20mΩ
Withstanding voltage	AC 1500V/1Min
Insulation resistance	5000MΩ/DC1000V

Mechanical

Ambient temperature	-30°C ~ +120°C
Strip length	4,5 ~ 5mm
Screw, Torque	M2.5, 0.4Nm (3.6Lb-In.)

Dimensions

Pitch	10.00mm
Poles	2P, 3P

Material

Housing	PBT (UL94V-0)
Pin header	Brass, Tin-plated
Screw	steel, Zinc-plated
Wire guard	Stainless steel

Wire Protector Terminal Block /
Pitch 10.00mm

Part No.: A12T008

Customer:

DRW:	Bill	CHKD	Lord	MATL:	Jimmy	TOLERANCE	Sam	DATE	12.10.2015
APPD:	Louis			FINISH	Georg			Sheet No.	1 from 3

www.edcon-components.com

email: info@edcon-components.com

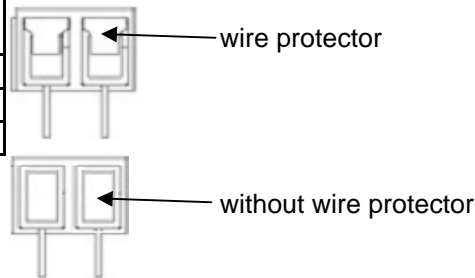
EDCON-COMPONENTS



Ordering Informations

Serie	-	No. of Pole	Body-Color	wire protector	Screw	-	Customer Request
A12T008	-	XX	XX	X	X	-	X

XX = total	WH - white	1 - with wire protector	A - Slotted screw <i>(standard)</i>
	GN - green	2 - without wire protector	
	GR - gray		B - Cross-slotted screw
	LG - light gray		
	PG - Phoenix Green		
	OR - orange		
BL - blue			
BK - black			



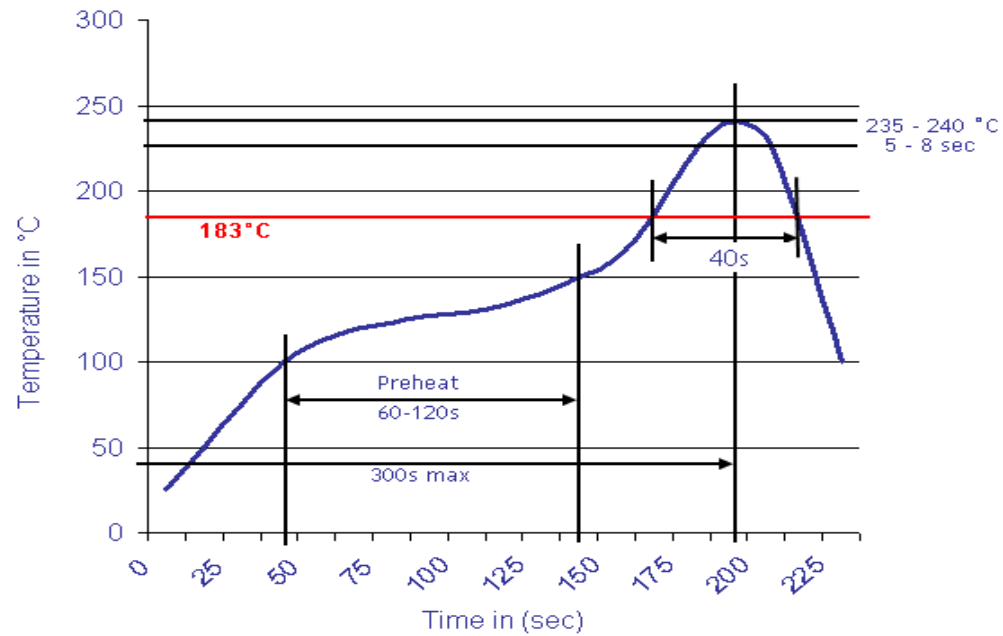
Wire Protector Terminal Block / Pitch 10.00mm	
Part No.:	A12T008
Customer:	

DRW:	Bill	CHKD	Lord	MATL:	Jimmy	TOLERANCE	Sam	DATE	12.10.2015
APPD:	Louis			FINISH	Georg		Sheet No.		2 from 3



Soldering - Profil

Classification Reflow Profile (JEDEC J-STD-020C)



Wire Protector Terminal Block /
Pitch 10.00mm

Part No.: A12T008

Customer:

DRW:	Bill	CHKD	Lord	MATL:	Jimmy	TOLERANCE	Sam	DATE	12.10.2015
APPD:	Louis			FINISH	Georg		Sheet No.	3 from 3	