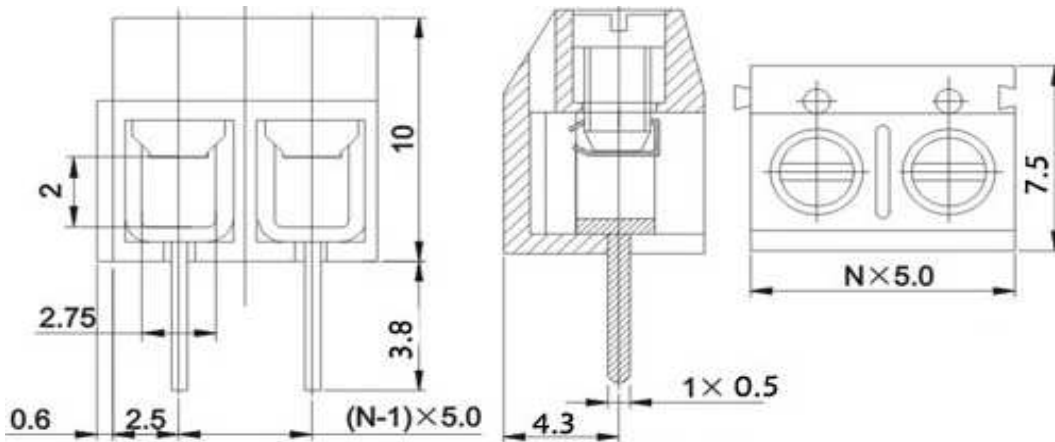


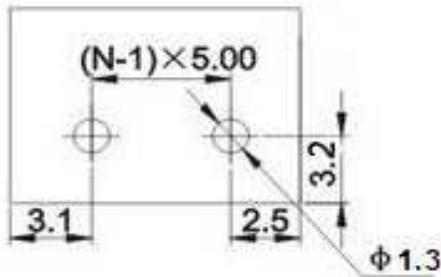
EDCON-COMPONENTS



Drawing



P.C.B. Layout



Specification

Electrical

| | |
|-----------------------|-------------------------------|
| Rated voltage | 300V |
| Rated current | 10A |
| Wire range | 22-14AWG / 2.5mm ² |
| Contact resistance | 20m Ω |
| Withstanding voltage | AC 2000V/1Min |
| Insulation resistance | 5000M Ω /DC1000V |

Mechanical

| | |
|---------------------|----------------------|
| Ambient temperature | -30°C ~ +120°C |
| Strip length | 4,5 ~ 5mm |
| Screw, Torque | M3, 0.4Nm(3.6Lb-In.) |

Dimensions

| | |
|-------|---------|
| Pitch | 10.00mm |
| Poles | 2P, 3P |

Material

| | |
|------------|--------------------|
| Housing | PBT (UL94V-0) |
| Pin header | Brass, Tin-plated |
| Screw | steel, Zinc-plated |
| Wire guard | Stainless steel |



Wire Protector Terminal Block /
Pitch 10.00mm

Part No.: A12T006

Customer:

| | | | | | | | | | |
|-------|-------|------|------|--------|-------|-----------|-----|-----------|------------|
| DRW: | Bill | CHKD | Lord | MATL: | Jimmy | TOLERANCE | Sam | DATE | 15.03.2009 |
| APPD: | Louis | | | FINISH | Georg | | | Sheet No. | 1 from 3 |

www.edcon-components.com

email: info@edcon-components.com

Copyright by EDCON-COMPONENTS

EDCON-COMPONENTS



Ordering Informations

| Serie | - | No. of Pole | Body-Color | wire protector | Screw | - | Customer Request |
|---------|---|-------------|------------|----------------|-------|---|------------------|
| A12T006 | - | XX | XX | X | X | - | X |

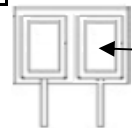
| | | | |
|------------|-----------------|----------------------------|------------------------------|
| XX = total | WH - white | 1 - with wire protector | A - Slotted screw (standard) |
| | GN - green | 2 - without wire protector | B - Cross-slotted screw |
| | GR - gray | | |
| | LG - light gray | | |



| |
|--------------------|
| PG - Phoenix Green |
| OR - orange |
| BL - blue |
| BK - black |



wire protector



without wire protector



Wire Protector Terminal Block /
Pitch 10.00mm

Part No.: A12T006

Customer:

| | | | | | | | | | |
|-------|-------|------|------|--------|-------|-----------|-----------|------|------------|
| DRW: | Bill | CHKD | Lord | MATL: | Jimmy | TOLERANCE | Sam | DATE | 15.03.2009 |
| APPD: | Louis | | | FINISH | Georg | | Sheet No. | | 2 from 3 |

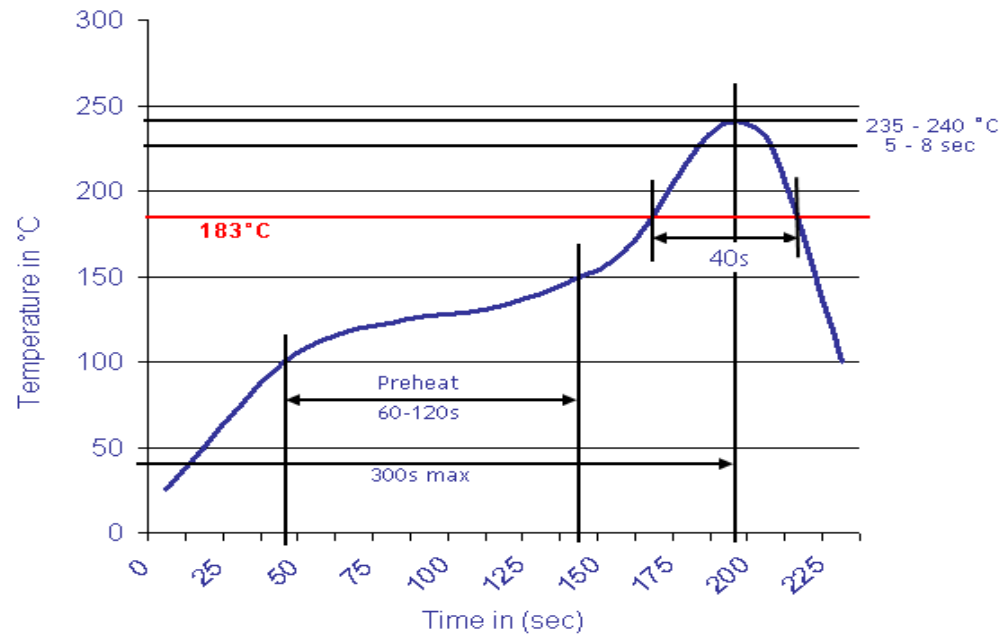
www.edcon-components.com

email: info@edcon-components.com



Soldering - Profil

Classification Reflow Profile (JEDEC J-STD-020C)



Wire Protector Terminal Block /
Pitch 10.00mm

Part No.: A12T006

Customer:

| | | | | | | | | | |
|-------|-------|------|------|--------|-------|-----------|-----------|------|------------|
| DRW: | Bill | CHKD | Lord | MATL: | Jimmy | TOLERANCE | Sam | DATE | 15.03.2009 |
| APPD: | Louis | | | FINISH | Georg | | Sheet No. | | 3 from 3 |